
SECTION 5B

FIVE-SPEED MANUAL TRANSAXLE

CAUTION: Disconnect the negative battery cable before removing or installing any electrical unit or when a tool or equipment could easily come in contact with exposed electrical terminals. Disconnecting this cable will help prevent personal injury and damage to the vehicle. The ignition must also be in LOCK unless otherwise noted.

TABLE OF CONTENTS

Specifications	5B-2	Control Shift Rod	5B-22
Fastener Tightening Specifications	5B-2	Linkage Lever and/or Bushings	5B-23
Special Tools	5B-3	Speedometer Driven Gear	5B-29
Special Tools Table	5B-3	Shift Lever Cover	5B-31
Diagnosis	5B-5	Drive Axle Seal	5B-33
Isolate Noise	5B-5	Bracket	5B-33
Symptom Diagnosis	5B-6	Transaxle Assembly	5B-34
Component Locators	5B-8	Unit Repair	5B-43
Gears and Case	5B-8	Major Component Disassembly	5B-43
Differential and Case	5B-10	Shaft and Cluster Gear	5B-54
Shift Linkage	5B-12	Mainshaft	5B-57
Maintenance and Repair	5B-14	Housing Case	5B-72
On-Vehicle Service	5B-14	Differential	5B-75
Checking Fluid Level	5B-14	Major Component Assembly	5B-83
Shift Linkage Adjustment	5B-14	Transaxle Mount	5B-91
Gearshift Lever	5B-16	General Description and System	
Gearshift Tube, Boot, Bushing and/or		Operation	5B-93
Ring	5B-17	Five Speed Manual Transaxle	5B-93

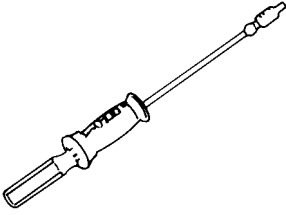
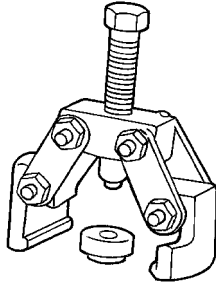
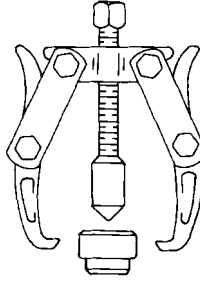
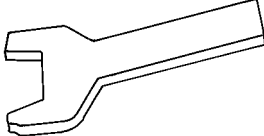
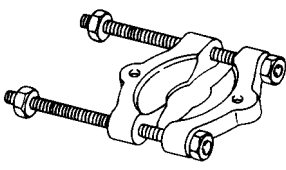
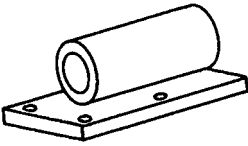
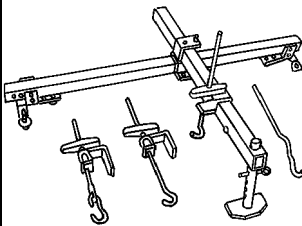
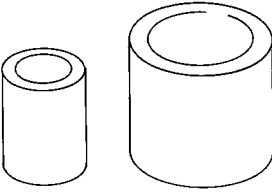
SPECIFICATIONS

FASTENER TIGHTENING SPECIFICATIONS

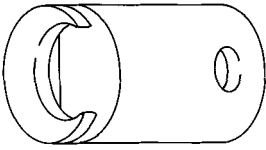
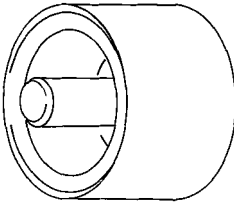
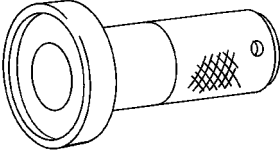
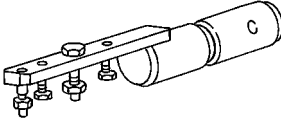
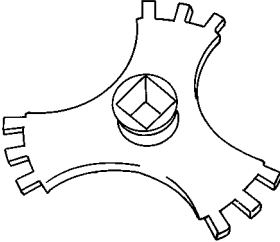
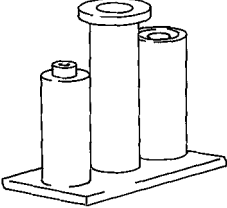
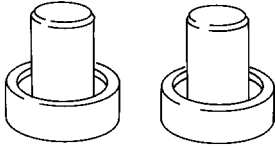
Application	N•m	Lb•Ft	Lb•In
Backup Lamp Switch	20	15	-
Bearing Plate Bolts	22	16	-
Bearing Retainer Bolts, Right Side	25	18	-
Bearing Adjusting Ring Retainer Plate Bolt	25	18	-
Center Rear Transaxle Support Bracket Bolts	90	66	-
Clutch Release Cylinder Bracket Bolts	75	55	-
Differential Cover Bolts	40	30	-
Fifth Gear Fork Bolts	22	16	-
Fifth Gearshift Connector Bolts	7	-	62
Gearshift Housing Bolts	6	-	53
Gearshift Lever Cover Bolts	22	16	-
Input Driveshaft Detent Screw	15	11	-
Left Front Transaxle Support Bracket Bolts	60	44	-
Left Rear Transaxle Support Bracket Bolts	60	44	-
Lower Transaxle to Engine Bolts	75	55	-
RingGear Bolts	70	52	-
Rod Clamp Bolt	14	-	124
Speedometer Driven Gear Bolt	5	-	44
Speedometer Housing Retaining Bolt	4	-	35
Support Bracket Bolt	7	-	62
Transaxle Bracket to Engine Bolt	90	66	-
Transaxle Bracket to Transaxle Bolts	90	66	-
Transaxle Bracket Mount to Center Member Bolts	65	48	-
Transaxle Cover Bolts (Bigger/Smaller)	20/15	15/11	-
Transaxle to Engine Upper Bolts	75	55	-
Transaxle Upper Brace Bolts	75	55	-

SPECIAL TOOLS

SPECIAL TOOLS TABLE

 <p>A103B110</p>	<p>J-6125-B Slide Hammer</p>	 <p>A103B163</p>	<p>KM-553-A Fifth-Gear Puller</p>
 <p>A103B003</p>	<p>J-22888-20-A Bearing Puller with J-22888-35 Puller Legs</p>	 <p>A103B028</p>	<p>J-36633 Snap Ring Retainer</p>
 <p>A103B112</p>	<p>J-22912-01 Universal Bearing Puller</p>	 <p>A103B002</p>	<p>KM-113-2 Base</p>
 <p>A102B152</p>	<p>J-28467-B Engine-Support Fixture</p>	 <p>A103B025</p>	<p>KM-334 Installer Sleeve</p>

SPECIAL TOOLS TABLE (Cont'd)

 <p>A103B013</p>	<p>J-42469 Shift Rod Remover</p>	 <p>A103B017</p>	<p>KM-525 Installer</p>
 <p>A103B007</p>	<p>KM-519 Ring Installer</p>	 <p>A103B019</p>	<p>KM-552 Fixture</p>
 <p>A103B008</p>	<p>KM-520 Remover/Installer</p>	 <p>A103B021</p>	<p>KM554 Installer</p>
 <p>A103B009</p>	<p>KM-522 Installer</p>		

DIAGNOSIS

ISOLATE NOISE

Identify the cause of any noise before attempting to repair the clutch, the transaxle, or their related linkages.

Symptoms of trouble with the clutch or the manual transaxle include

- A great effort required to shift gears.
- The sound of gears clashing and grinding.
- Gear blockout.

Any of these conditions requires a careful analysis. Make the following checks before disassembling the clutch or the transaxle for repairs.

Road Travel Noise

Many noises that appear to come from the transaxle may actually originate with other sources, such as the

- Tires.
- Road surfaces.
- Wheel bearings.
- Engine.
- Exhaust system.

These noises may vary according to the

- Size of the vehicle.
- Type of the vehicle.
- Amount of insulation used in the body of the vehicle.

Transaxle Noise

Transaxle gears, like any mechanical device, are not absolutely quiet and will make some noise during normal operation.

To verify suspected transaxle noises,

1. Select a smooth, level asphalt road to reduce tire and resonant body noise.
2. Drive the vehicle far enough to warm up all the lubricants thoroughly.
3. Record the speed and the gear range of the transaxle when the noise occurs.
4. Check for noises with the vehicle stopped, but with the engine running.
5. Determine if the noise occurs while the vehicle operates in
 - Drive - under a light acceleration or a heavy pull.
 - Float - maintaining a constant speed with a light throttle on a level road.
 - Coast - with the transaxle in gear and the throttle partly or fully closed.
 - All of the above.

Bearing Noise

Differential Side Bearing Noise

Differential side bearing noise and wheel bearing noise can be confused easily. Since side bearings are pre-loaded, a differential side bearing noise should not diminish much when the differential/transaxle is run with the wheels off the ground.

Wheel Bearing Noise

Wheel bearings produce a rough growl or grating sound that will continue when the vehicle is coasting and the transaxle is in NEUTRAL. Since wheel bearings are not pre-loaded, a wheel bearing noise should diminish considerably when the wheels are off the ground.

Other Noise

Brinelling

A brinelled bearing causes a „knock” or „click” approximately every second revolution of the wheel because the bearing rollers do not travel at the same speed as the wheel. In operation, the effect is characterized by a low pitched noise.

A brinelled bearing is caused by excessive thrust which pushes the balls up on the pathway and creates a triangularshaped spot in the bearing race. A brinelled bearing can also be caused from pressing one race into position by applying pressure on the other race.

A false indication of a brinelled bearing occurs as a result of vibration near the area where the bearing is mounted. Brinelling is identified by slight indentations, resulting in a washboard effect in the bearing race.

Lapping

Lapped bearing noise occurs when fine particles of abrasive materials such as scale, sand, or emery circulate through the oil in the vehicle, causing the surfaces of the roller and the race to wear away. Bearings that wear loose but remain smooth, without spalling or pitting, are the result of dirty oil.

Locking

Large particles of foreign material wedged between the roller and the race usually cause one of the races to turn, creating noise from a locked bearing. Pre-loading regular taper roller bearings to a value higher than that specified also can result in locked bearings.

Pitting

Pitting on the rolling surface comes from normal wear and the introduction of foreign materials.

Spalling

Spalled bearings have flaked or pitted rollers or races caused by an overload or an incorrect assembly that results in a misalignment, a cocking of bearings, or adjustments that are too tight.

After completing these checks, refer to the „Diagnosis Chart” in this section.

SYMPTOM DIAGNOSIS

Checks	Action
Check for a knock at low speeds.	<ul style="list-style-type: none"> ● Replace any worn drive axle CV joints. ● Replace any worn side gear hub.
Check for a noise most pronounced on turns.	<ul style="list-style-type: none"> ● Correct any abnormalities in the differential gear.
Check for a clunk upon acceleration or deceleration.	<ul style="list-style-type: none"> ● Tighten any loose engine mounts. ● Replace any worn drive axle inboard joints. ● Replace any worn differential pinion shaft in the case. ● Replace any worn side gear hub in the case.
Check for a clunking noise in turns.	<ul style="list-style-type: none"> ● Replace any worn outboard CV joint.
Check for a vibration.	<ul style="list-style-type: none"> ● Replace any rough wheel bearing. ● Replace any bent drive axle shaft. ● Replace any out of round tires. ● Balance any unbalanced tire. ● Replace any worn CV joint in the drive axle shaft. ● Correct an excessive drive axle angle by adjusting the trim height.
Check for a noise in the NEUTRAL gear with the engine running.	<ul style="list-style-type: none"> ● Replace any worn cluster bearing shaft. ● Replace any worn clutch release bearing. ● Replace any worn input shaft cluster gears. ● Replace any worn first gear/bearing. ● Replace any worn second gear/bearing. ● Replace any worn third gear/bearing. ● Replace any worn fourth gear/bearing. ● Replace any worn fifth gear/bearing. ● Replace any worn mainshaft bearings.
Check for a noise in the first gear (1) only.	<ul style="list-style-type: none"> ● Replace any chipped, scored, or worn first gear constant mesh gears. ● Replace any worn first second gear synchronizer. ● Replace any worn first gear/bearing. ● Replace any worn differential gear/bearing. ● Replace any worn ring gear. ● Adjust, repair, or replace the shift lever and the rods.
Check for a noise in the second gear (2) only.	<ul style="list-style-type: none"> ● Replace any chipped, scored, or worn second gear constant mesh gears. ● Replace any worn first second gear synchronizer. ● Replace any worn second gear/bearing. ● Replace any worn differential gear/bearing. ● Replace any worn ring gear. ● Adjust, repair, or replace the shift lever and the rods.
Check for a noise in the third gear (3) only.	<ul style="list-style-type: none"> ● Replace any chipped, scored, or worn third gear constant mesh gears. ● Replace any worn third fourth gear synchronizer. ● Replace any worn third gear/bearing. ● Replace any worn differential gear/bearing. ● Replace any worn ring gear. ● Adjust, repair, or replace the shift lever and the rods.
Check for a noise in the fourth gear (4) only.	<ul style="list-style-type: none"> ● Replace any chipped, scored, or worn fourth gear or output gear. ● Replace any worn third fourth gear synchronizer. ● Replace any worn fourth gear/bearing. ● Replace any worn differential gear/bearing. ● Replace any worn ring gear. ● Adjust, repair, or replace the shift lever and the rods.

Symptom Diagnosis (Cont'd)

Checks	Action
Check for a noise in the fifth gear (5) only.	<ul style="list-style-type: none"> ● Replace any chipped, scored, or worn fifth gear or output gear. ● Repair any worn fifth gear synchronizer. ● Replace any worn fifth gear/bearing. ● Replace any worn differential gear/bearing. ● Replace any worn ring gear. ● Adjust, repair, or replace the shift lever and the rods.
Check for a noise in the reverse (R) gear only.	<ul style="list-style-type: none"> ● Replace any chipped, scored, or worn reverse idler gear, idler gear bushing, input gear, or output gear. ● Replace any worn first second gear synchronizer. ● Replace any worn output gear. ● Replace any worn differential gear/bearings. ● Replace any worn ring gear.
Check for a noise in all gears.	<ul style="list-style-type: none"> ● Add sufficient lubricant. ● Replace any worn bearings. ● Replace any chipped, scored, or worn input gear shaft or output gear shaft.
Check for the transaxle slipping out of gear.	<ul style="list-style-type: none"> ● Adjust or replace the linkage as needed. ● Adjust, repair, or replace any binding shift linkage. ● Tighten or replace the input gear bearing retainer as needed. ● Repair or replace any worn or bent shift fork.
Check for a leak in the area of the clutch.	<ul style="list-style-type: none"> ● Repair the transaxle casing. ● Replace any damaged release bearing guide.
Check for a leak at the center of the transaxle.	<ul style="list-style-type: none"> ● Repair the transaxle casing. ● Repair the shift mechanism. ● Replace the damaged backup lamp switch.
Check for a leak at the differential.	<ul style="list-style-type: none"> ● Adjust or replace the bearing retainers. ● Tighten or replace the differential cover. ● Adjust or replace the drive axle shaft seals.
Check for a hard shift.	<ul style="list-style-type: none"> ● Replace any damaged release bearing guide. ● Adjust, repair, or replace the shift mechanism. ● Adjust, repair, or replace the clutch release system. ● Replace any chipped, scored, or worn fifth gear synchronizer. ● Replace any chipped, scored, or worn first second gear synchronizer. ● Replace any worn third fourth gear synchronizer. ● Adjust, repair, or replace the shift lever and the rods.
Check for a clashing of gears.	<ul style="list-style-type: none"> ● Replace any damaged release bearing guide. ● Adjust, repair, or replace the clutch release system. ● Replace the chipped, scored, or worn input shaft/gear cluster gears. ● Replace any worn fifth gear synchronizer. ● Replace any worn fifth gear/bearing. ● Replace any worn first gear/bearing. ● Replace any worn first second gear synchronizer. ● Replace any worn second gear/bearing. ● Replace any worn third gear/bearing. ● Replace any worn third fourth synchronizer. ● Replace any worn fourth gear/bearing. ● Replace any worn reverse idler gear.

COMPONENT LOCATORS

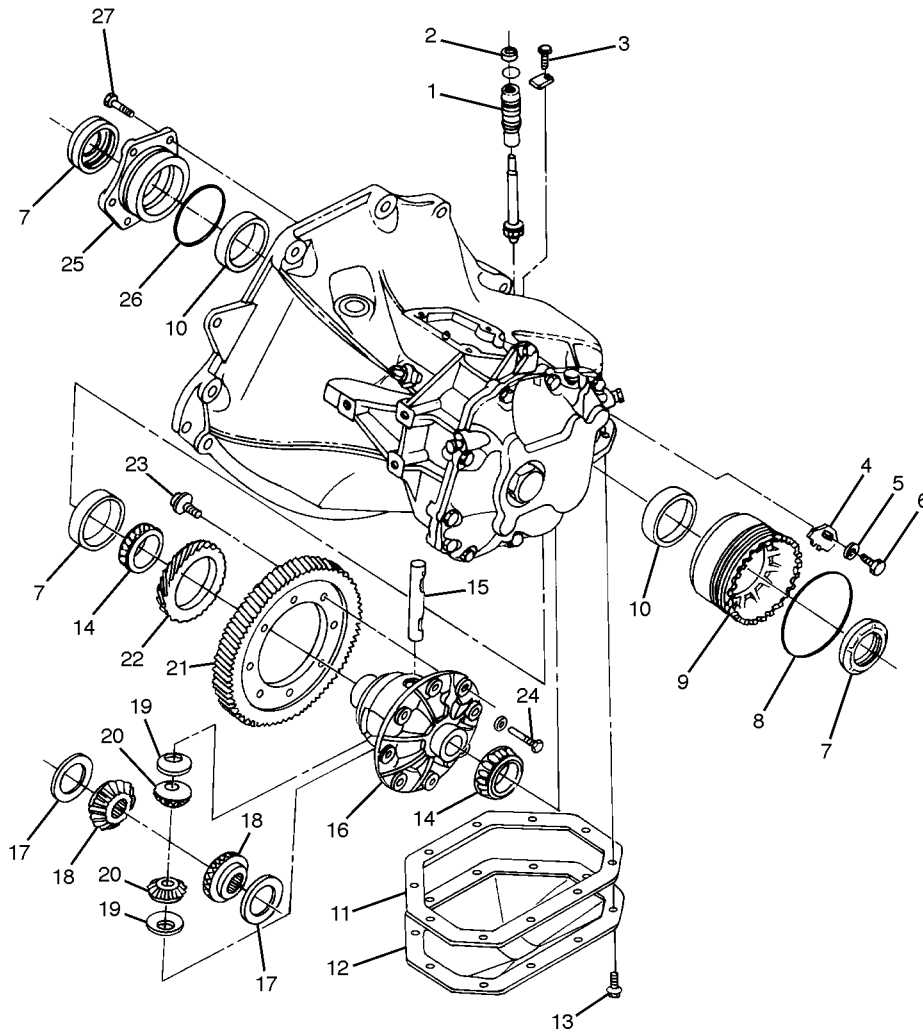
GEARS AND CASE



A103B162

- | | |
|------------------------------------|--------------------------------|
| 1 Case | 44 Gasket |
| 2 Mainshaft Bearing | 45 Cover |
| 3 Fourth Gear | 46 Bolt |
| 4 Synchronizer Blocking Ring | 47 Plug |
| 5 Synchronizer Sleeve | 48 Bolt |
| 6 Pin | 49 Screw |
| 7 Third-Fourth Gearshift Fork | 50 Synchronizer Gear |
| 8 Third-Fourth Gearshift Shaft | 51 Spring |
| 9 Spring | 52 Synchronizer Sleeve |
| 10 Key | 53 Synchronizer Blocking Ring |
| 11 Third-Fourth Synchronizer Gear | 54 Mainshaft Driven Fifth Gear |
| 12 Synchronizer Blocking Ring | 55 Ring |
| 13 Third Gear | 56 Thrust Washer |
| 14 Second Gear | 57 Ring |
| 15 First-Second Gear Blocking Ring | 58 Input Drive Fifth Gear |
| 16 First-Second Gearshift Fork | 59 Bolt |
| 17 First-Second Gearshift Shaft | 60 Cluster Gear Snap Ring |
| 18 Synchronizer Hub Sleeve | 61 Screw |
| 19 Synchronizer Spring | 62 Cluster Shaft Bearing |
| 20 Key | 63 Ring |
| 21 First-Second Synchronizer Gear | 64 Input Shaft Cluster Gear |
| 22 Snap Ring | 65 Ball |
| 23 Outer Blocking Ring | 66 Reverse Idler Gear Shaft |
| 24 First Gear | 67 Reverse Idler Gear |
| 25 First Gear Needle Bearing | 68 Washer |
| 26 Mainshaft Wear Plate | 69 Reverse Gear Fork Shaft |
| 27 Snap Ring | 70 Reverse Gearshift Fork |
| 28 Mainshaft Bearing | 71 Input Drive Shaft |
| 29 Shift Rod Plug (21.5 mm) | 72 Bolt |
| 30 Spring | 73 Fifth Gear Pawl |
| 31 Shift Rod Lock Pin | 74 Fifth Gear Needle Bearing |
| 32 Bearing Plate | 75 First Gear Needle Bearing |
| 33 Shift Rod Plug (50.4 mm) | 76 Main Driven Shaft |
| 34 Detent Rod Bolt | 77 Fifth Gearshift Lever |
| 35 Bolt | 78 Hex Plug |
| 36 Bolt | 79 Gasket |
| 37 Support | 80 Reverse Lamp Switch |
| 38 Fifth Gearshift Fork | 81 Input Shaft Bearing |
| 39 Pin | 82 Second Gear Needle Bearing |
| 40 Fifth Gear Connector | 83 Third Gear Needle Bearing |
| 41 Shoe | 84 Fourth Gear Needle Bearing |
| 42 Key | 85 Washer |
| 43 Snap Ring | |
-

DIFFERENTIAL AND CASE



A103B161

- | | |
|---------------------------|--------------------------------|
| 1 Speedometer Driven Gear | 15 Pinion Gear Shaft |
| 2 Seal | 16 Differential Housing |
| 3 Hex Bolt | 17 Thrust Washer |
| 4 Bearing Plate | 18 Side Gear |
| 5 Washer | 19 Washer |
| 6 Bolt | 20 Pinion Gear |
| 7 Seal | 21 Ring Gear |
| 8 Seal | 22 Speedometer Drive Gear |
| 9 Bearing Adjusting Ring | 23 Bolt |
| 10 Side Bearing Race | 24 Pinion Shaft Lock Pin |
| 11 Housing Cover Gasket | 25 Right Side Bearing Retainer |
| 12 Differential Cover | 26 Seal |
| 13 Bolt | 27 Retainer Bolt |
| 14 Differential Bearing | |
-

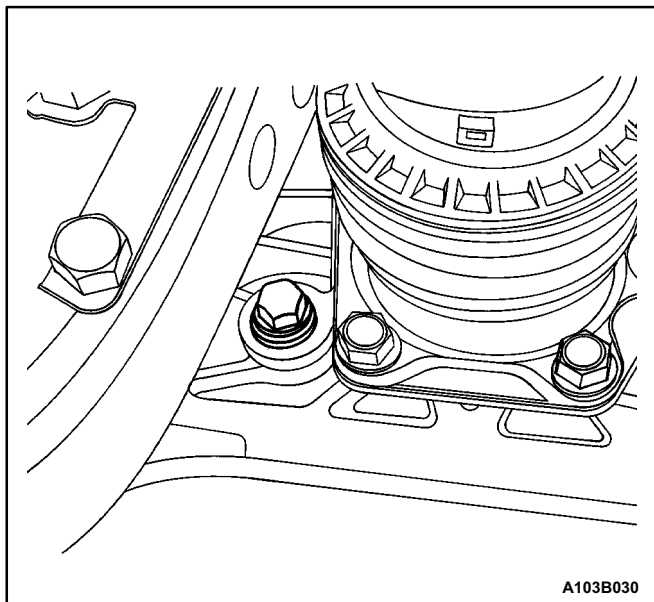
- | | |
|--------------------------------|-------------------------------|
| 1 Gearshift Lever Knob | 21 Rod U-Joint Bushing |
| 2 Gearshift Lever Boot | 22 Clip |
| 3 Gearshift Lever | 23 Gearshift Rod |
| 4 Gearshift Lever Stop Clamp | 24 Shift Finger Lever |
| 5 Gearshift Lever Shaft | 25 Cover Bolt |
| 6 Gearshift Lever Stop Bushing | 26 Intermediate Lever |
| 7 Gearshift Lever Stop Bushing | 27 Shift Lever Thrust Spring |
| 8 Bolt | 28 Bushing |
| 9 Gearshift Housing | 29 Snap Ring |
| 10 Shift Rod Clamp Bolt | 30 Oil Filler Plug |
| 11 Washer | 31 Oil Plug Cap |
| 12 Clamp | 32 Gearshift Lever Cover |
| 13 Linkage Adjuster Bolt | 33 Pin |
| 14 Gearshift Control Rod | 34 Bolt |
| 15 Linkage Ball Socket | 35 Gearshift Adjuster Linkage |
| 16 Circlip Ring | 36 Shift Reverse Pivot Bolt |
| 17 Linkage Reverse Lever | 37 Boot |
| 18 Gearshift Boot | 38 Gearshift Tube |
| 19 Bushing | 39 Bushing |
| 20 Bushing | 40 Gearshift Tube Bearing |
-

MAINTENANCE AND REPAIR

ON-VEHICLE SERVICE

CHECKING FLUID LEVEL

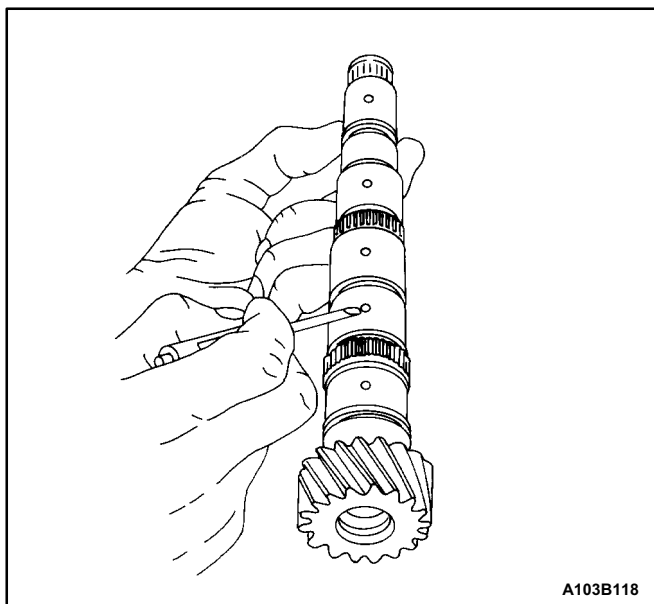
1. With the vehicle on a level surface and the fluid in the transaxle cold, remove the filler plug and check the fluid level. The fluid should come to the bottom edge of the plug hole.
2. If the level is low, add SAE 80 manual transaxle fluid through the filler plug hole until the fluid begins to run out.
3. Reinstall the filler plug and tighten it securely.



A103B030

The speed gears and the synchronizer parts on this vehicle receive lubrication through specific passages in the mainshaft.

It takes 1.8 liters (1.90 quarts) to fill the transaxle completely.



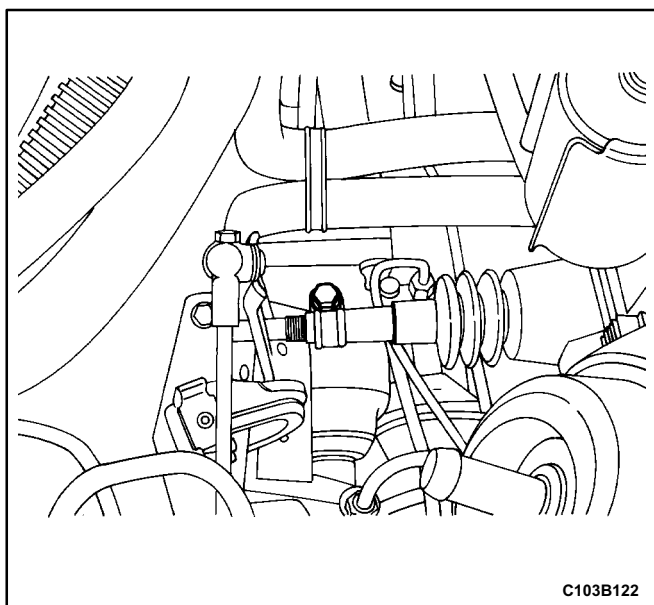
A103B118

SHIFT LINKAGE ADJUSTMENT

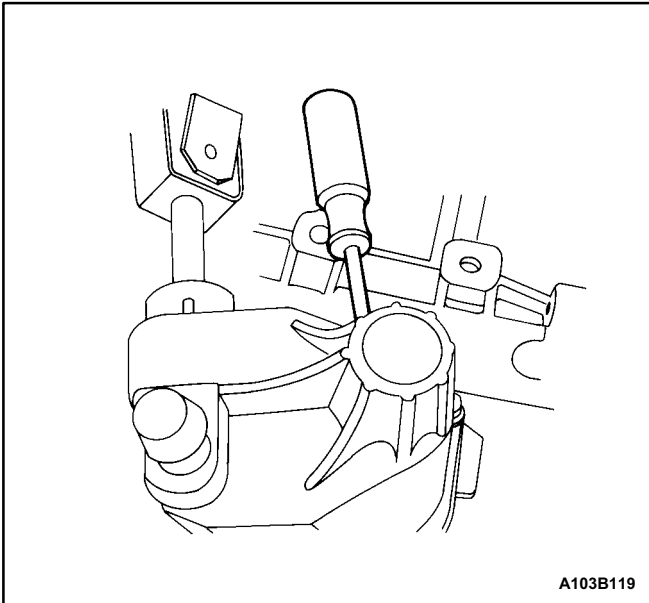
1. Disconnect the negative battery cable.
2. Position the gearshift lever into NEUTRAL.

Important: All the gears must be easy to engage when the vehicle is stationary, the engine is running, and the clutch is disengaged.

3. Loosen the rod clamp bolt.

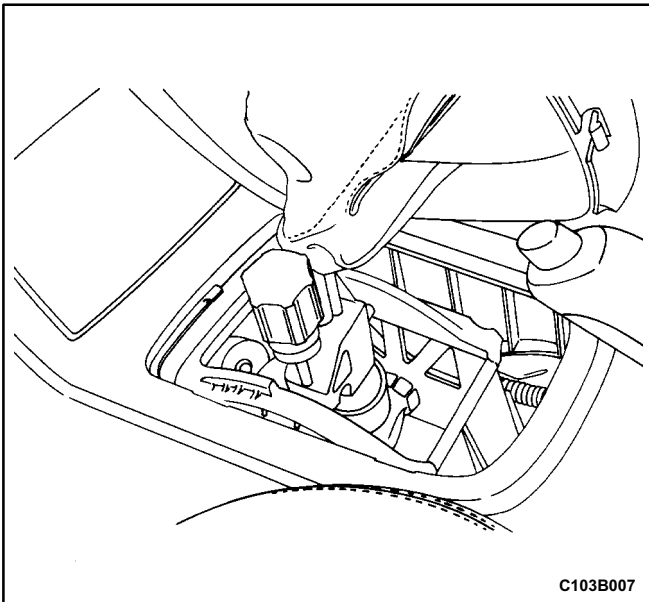


C103B122



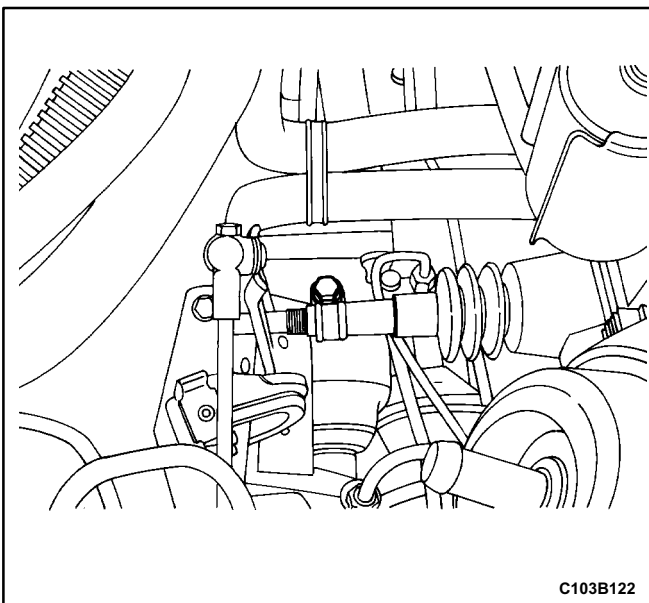
A103B119

4. Remove the adjustment hole plug from the shift lever cover.
5. Turn the gearshift rod and fully insert a 5 mm (0.2 inch) gauge pin into the adjustment hole.



C103B007

6. Remove the boot from the console.
7. Pull the boot upward to expose the shift control lever mechanism.
8. Position the gearshift lever close to the left side of the NEUTRAL position.
9. Insert a 5 mm (0.2 inch) gauge pin into the holes to align the gearshift lever with the gearshift lever housing.

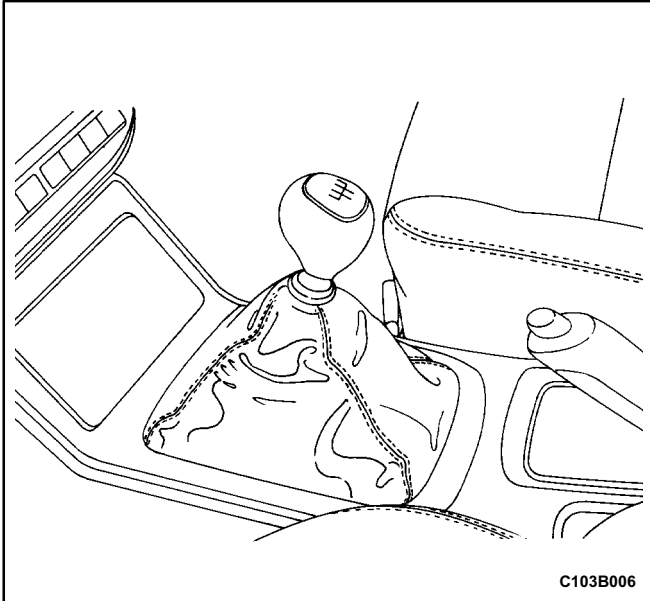


C103B122

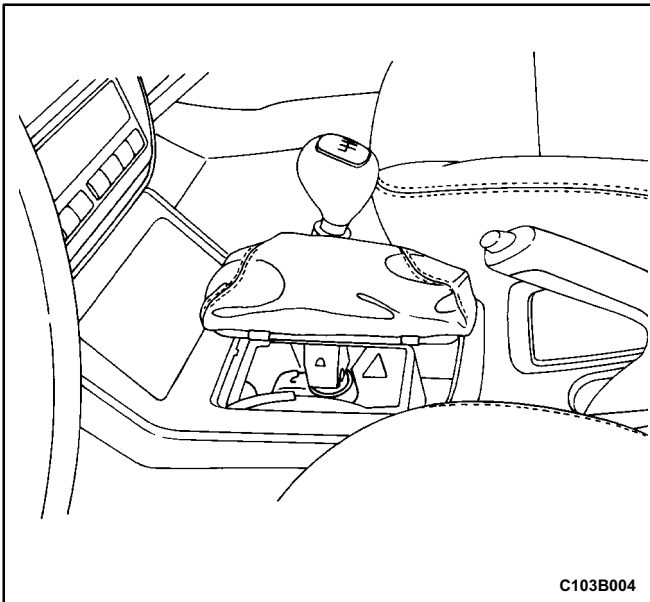
10. Tighten the rod clamp bolt.

Tighten

Tighten the rod clamp bolt to 14 N•m (124 lb•in).



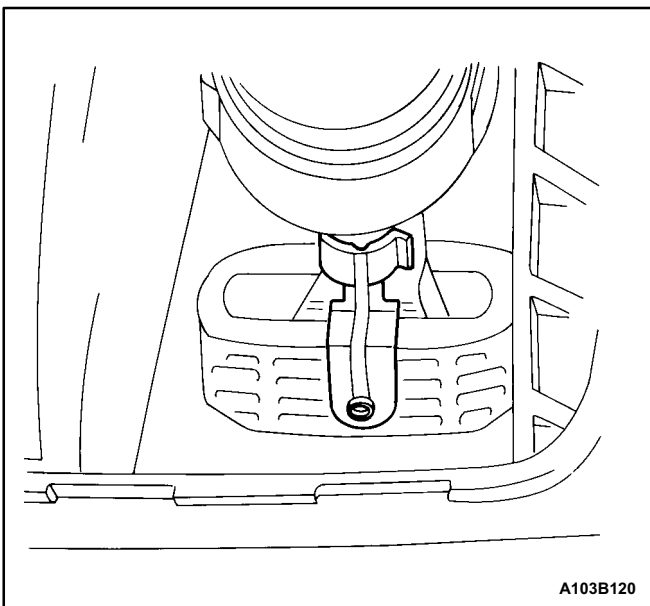
11. Remove the 5 mm (0.2 inch) gauge pin from the adjustment hole.
12. Install the adjustment hole plug.
13. Remove the 5 mm (0.2 inch) gauge pin from the gearshift lever.
14. Install the boot to the console.
15. Connect the negative battery cable.

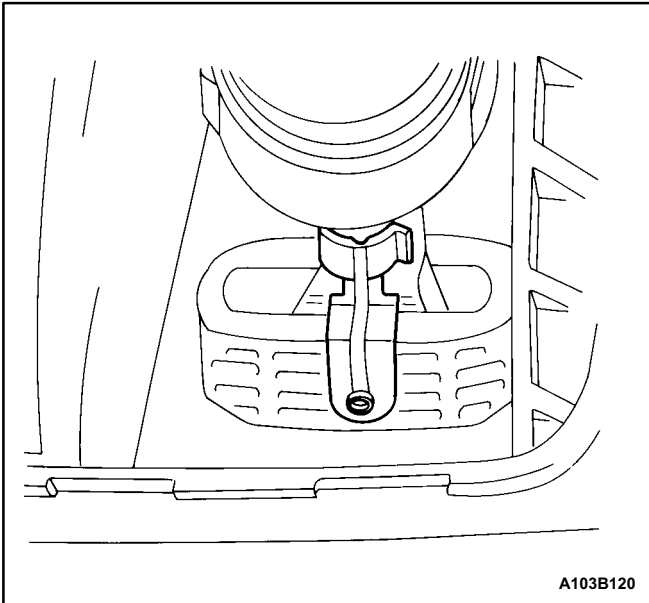


GEARSHIFT LEVER

Removal Procedure

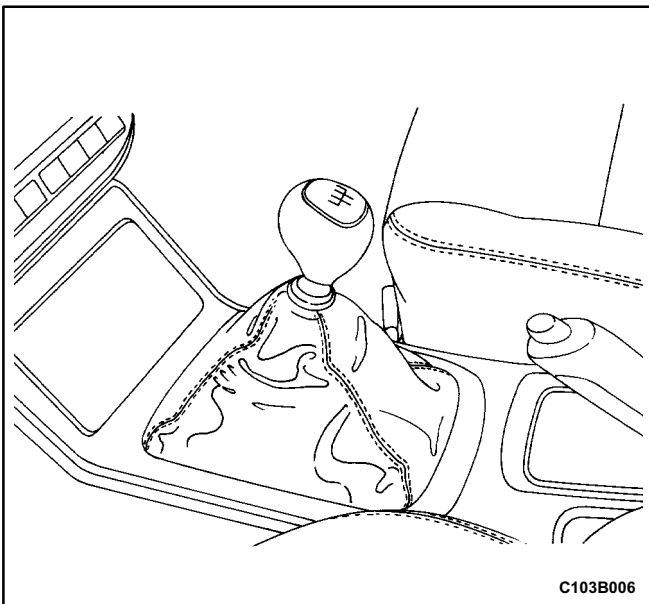
1. Disconnect the negative battery cable.
2. Position the gearshift lever into NEUTRAL.
3. Disconnect the boot from the console cover.
4. Lift the console cover upward to expose the shift control lever mechanism.
5. Rotate the gearshift lever stop clamp and remove it.
6. Remove the gearshift lever from the gearshift lever shaft.



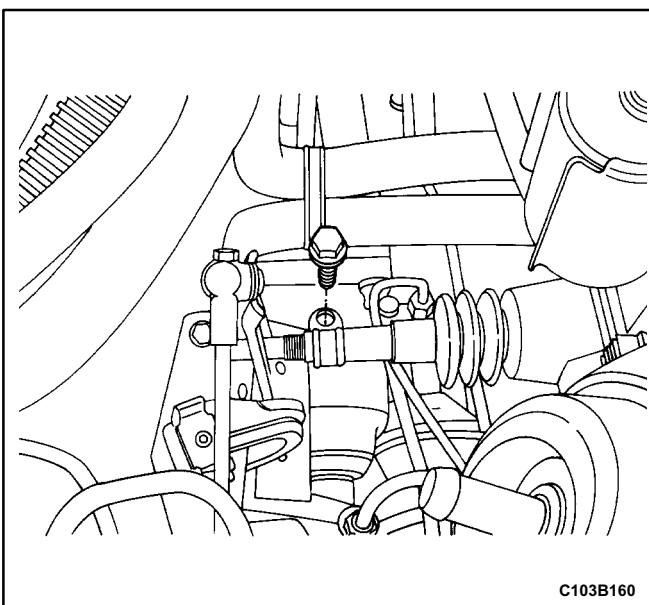


Installation Procedure

1. Install the gearshift lever into the gearshift lever shaft.
2. Install the gearshift lever stop clamp.
3. Rotate the gearshift lever stop clamp to secure it.



4. Lower the boot and connect it to the console cover.
5. Connect the negative battery cable.

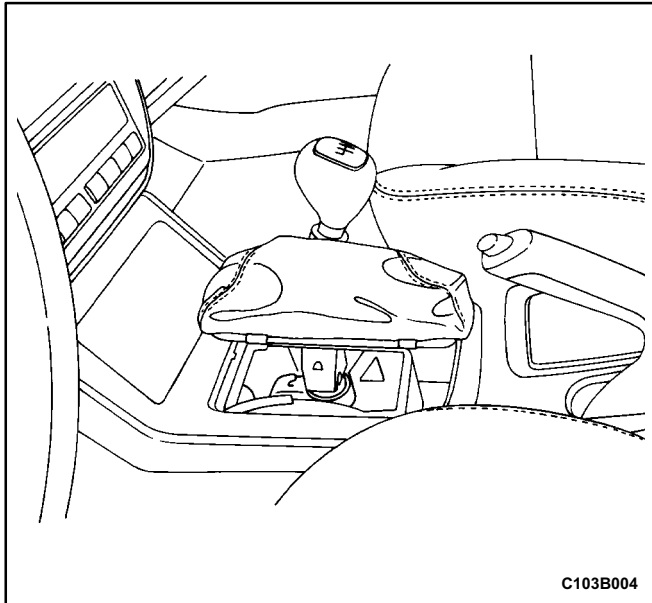


GEARSHIFT TUBE, BOOT, BUSHING AND/OR BEARING RING

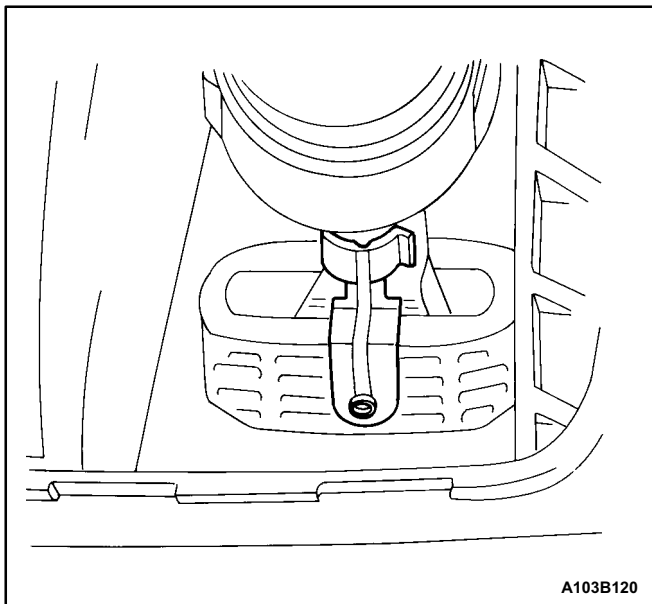
(Left-Hand Drive Shown, Right-Hand Drive Similar)

Removal Procedure

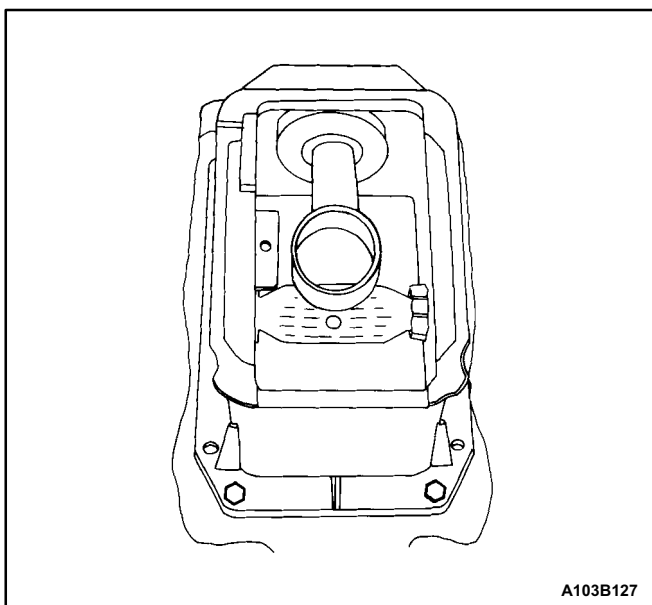
1. Disconnect the negative battery cable.
2. Remove the rod clamp bolt.
3. Separate the linkage bolt from the gearshift tube.
4. Remove the rod clamp from the gearshift tube.



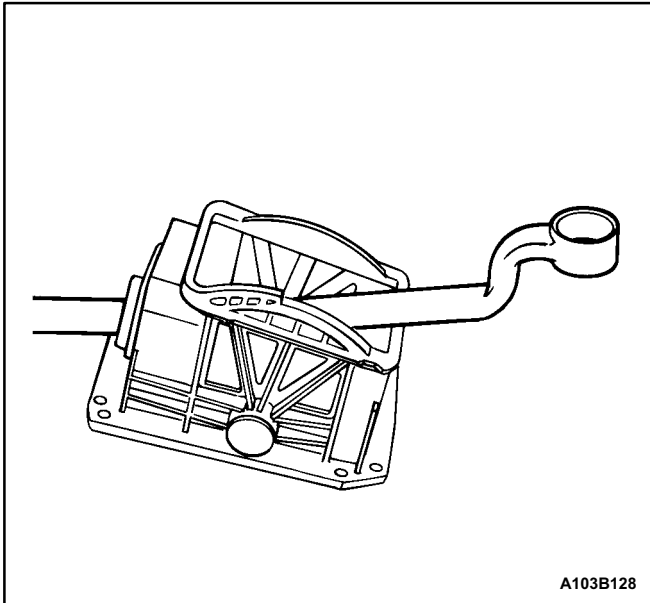
5. Position the shift lever into NEUTRAL.
6. Disconnect the gearshift boot from the front portion of the floor console and lift upward to expose the shift control lever mechanism.



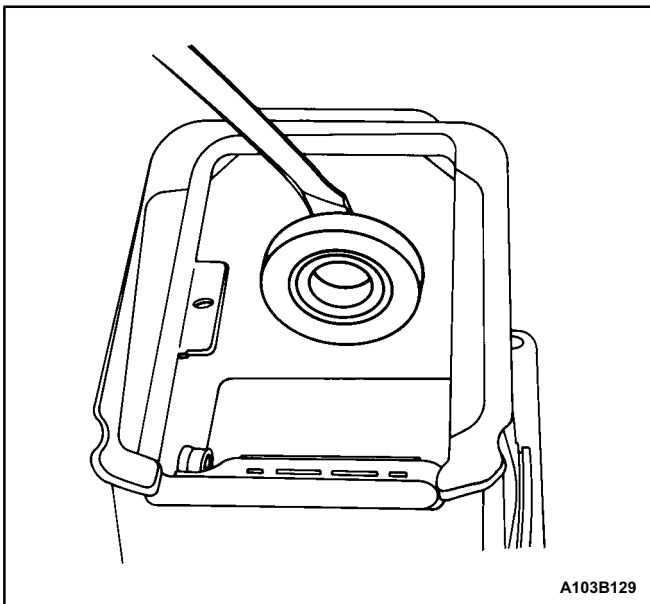
7. Rotate the gearshift lever stop clamp and remove it.
8. Remove the gearshift lever and the boot.
9. Remove the center console. Refer to *Section 9G, Interior Trim*.



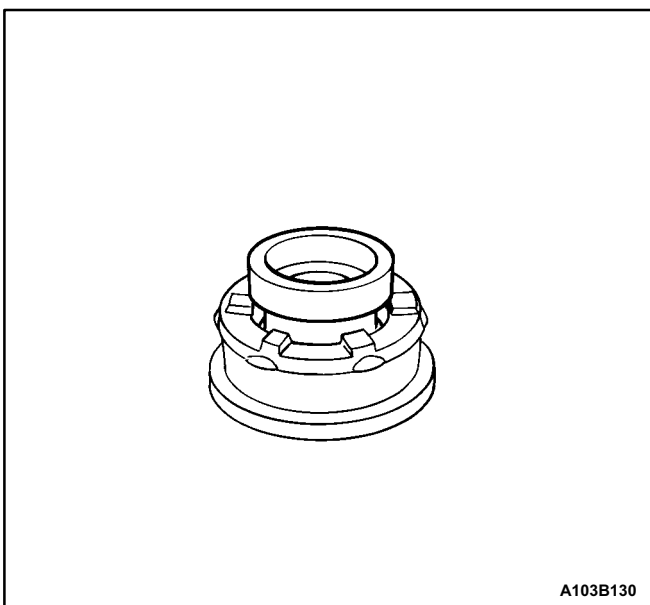
10. Remove the gearshift housing bolts.
11. Remove the gearshift tube with the gearshift housing from the vehicle.



12. Remove the gearshift tube from the gearshift housing.



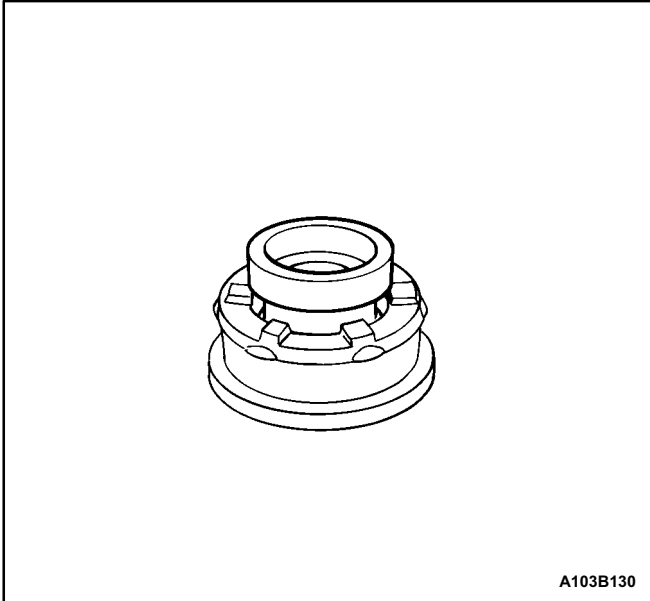
13. Remove the bushing and the gearshift tube bearing from the gearshift housing.



14. Remove the bushing from the gearshift tube bearing.

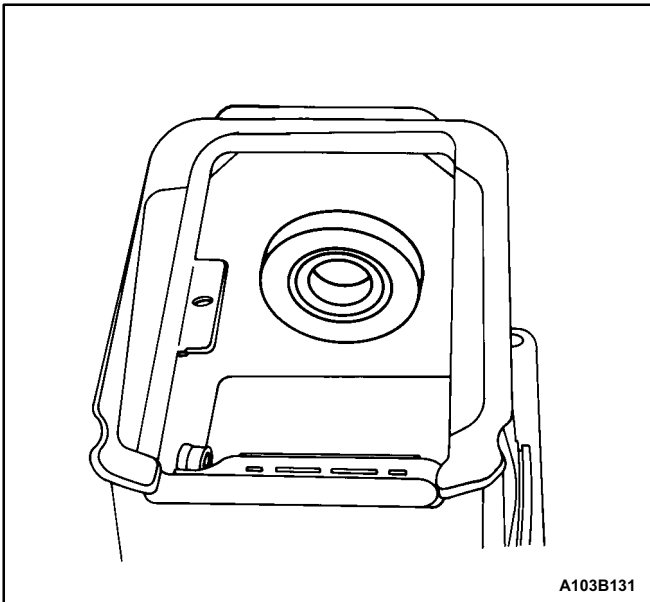
Installation Procedure

1. Install the bushing into the gearshift tube bearing.



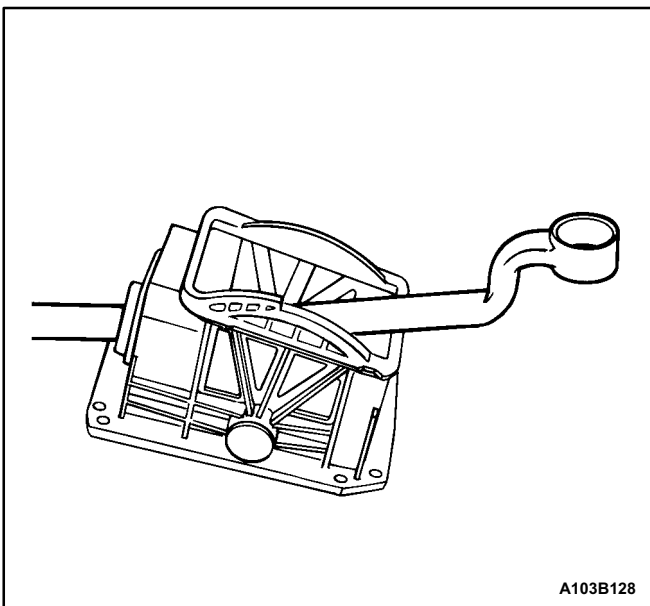
A103B130

2. Fill the grooves of the bushing with silicone grease.
3. Press the bearing ring into the gearshift housing from the inside.

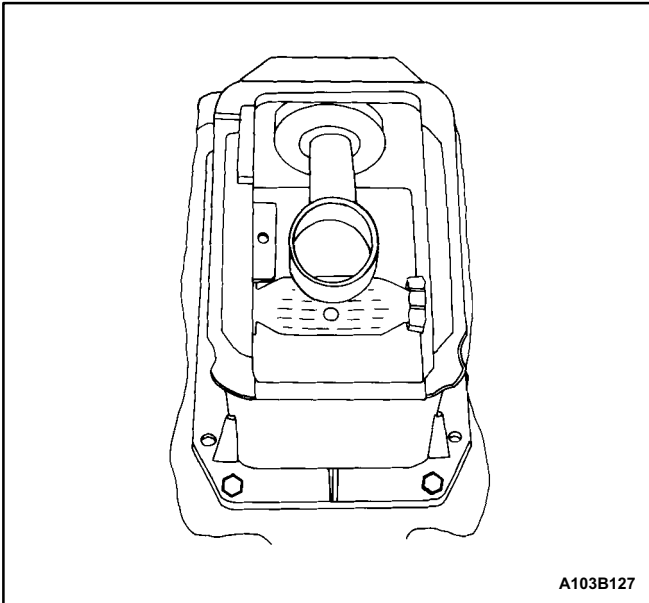


A103B131

4. Install the gearshift tube through the bushing into the gearshift housing.



A103B128



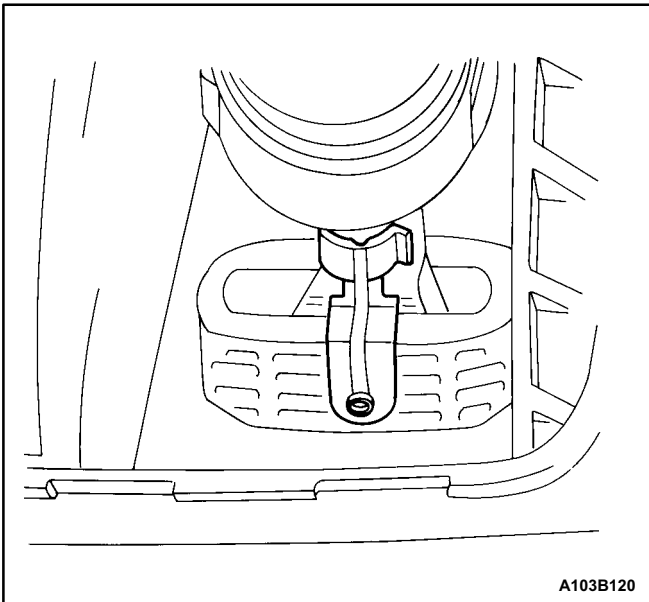
A103B127

5. Install the gearshift housing and the gearshift tube into the vehicle.
6. Install the gearshift housing bolts.

Tighten

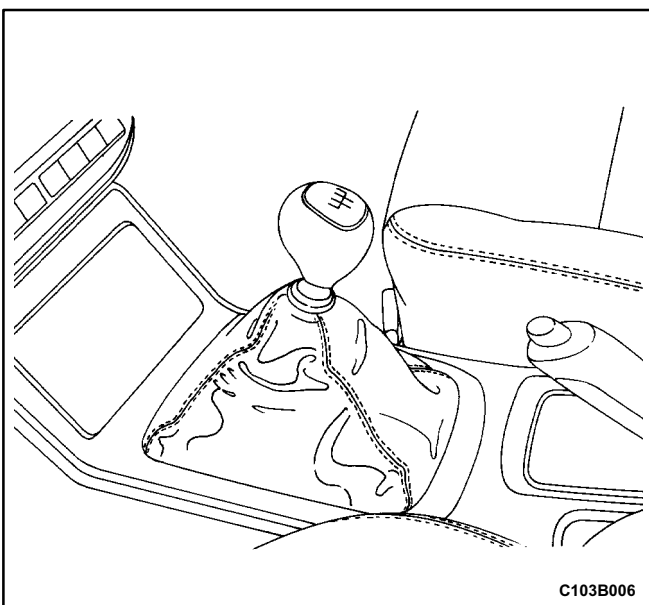
Tighten the gearshift housing bolts to 6 N•m (53 lb•in).

7. Install the center console. Refer to *Section 9G, Interior Trim*.



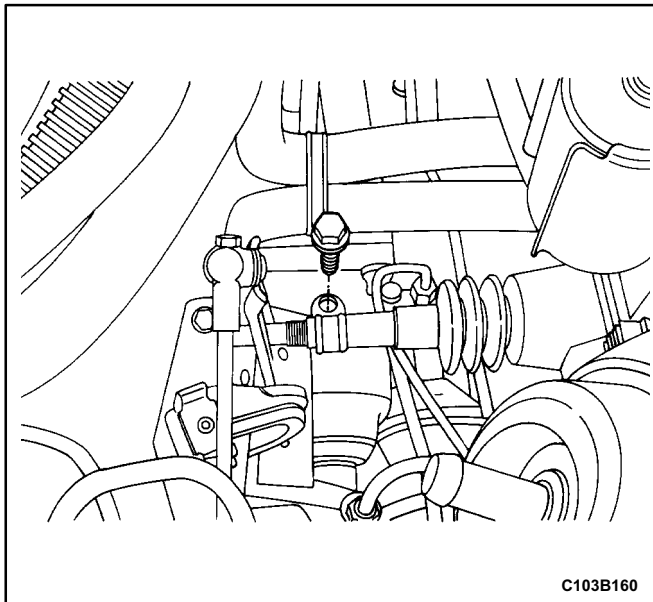
A103B120

8. Install the shift lever into the shaft.
9. Install the gearshift lever stop clamp and rotate it into position.



C103B006

10. Install the gearshift boot.

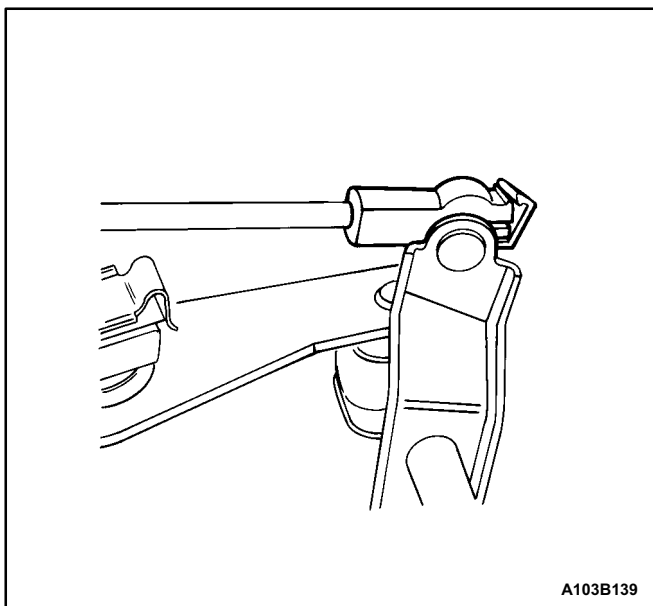


11. Install the rod clamp onto the gearshift tube.
12. Connect the linkage bolt to the gearshift tube.
13. Install the rod clamp bolt.
14. Adjust the shift linkage. Refer to „Shift Linkage Adjustment” in this section.
15. Tighten the rod clamp bolt.

Tighten

Tighten the rod clamp bolt to 14 N•m (124 lb•in).

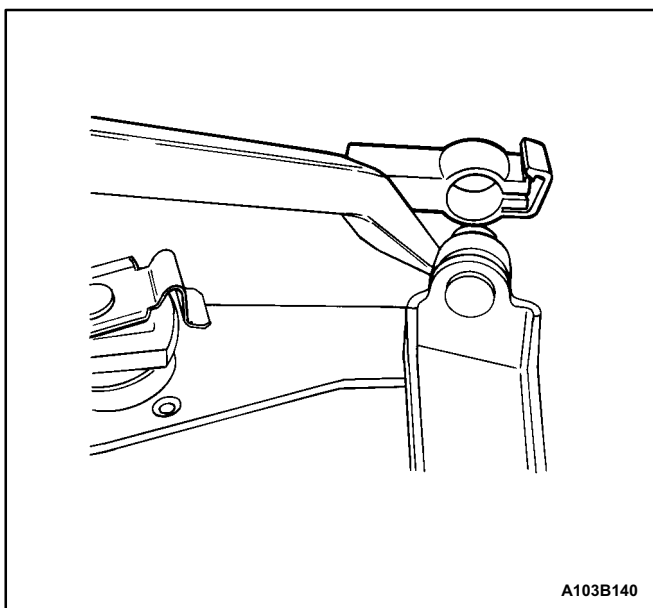
16. Connect the negative battery cable.



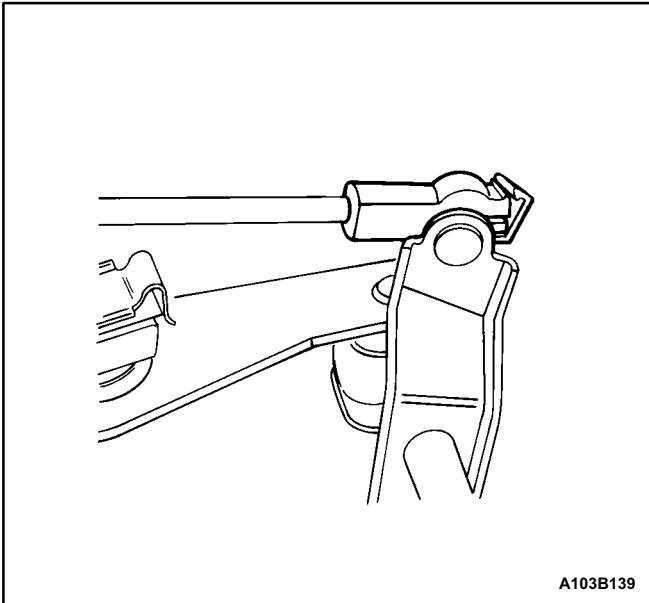
CONTROL SHIFT ROD

Removal Procedure

1. Disconnect the negative battery cable.
2. Separate the plastic clip from the end of each ball socket.



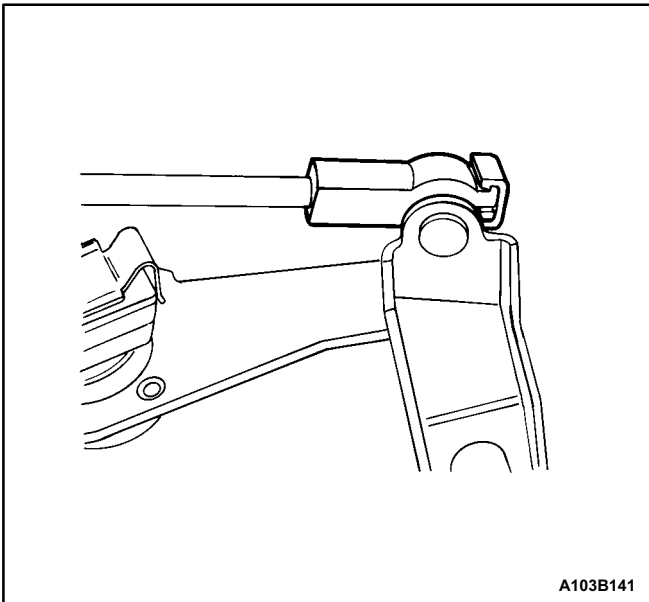
3. Separate the ball sockets from the ball studs on the linkage bolts using a pry bar.
4. Remove the control shift rod from the vehicle.



A103B139

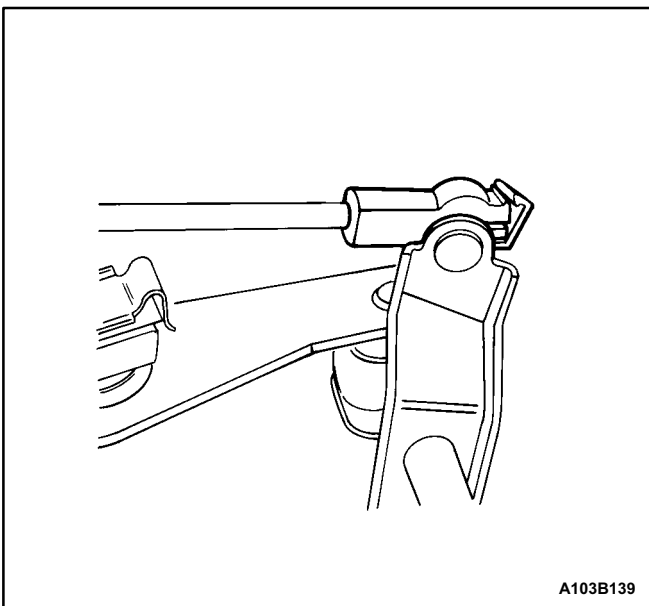
Installation Procedure

1. Install the control shift rod into the vehicle.
2. Press the ball sockets onto the ball studs on the linkage bolts.



A103B141

3. Connect the plastic clip on the end of each ball socket.
4. Connect the negative battery cable.

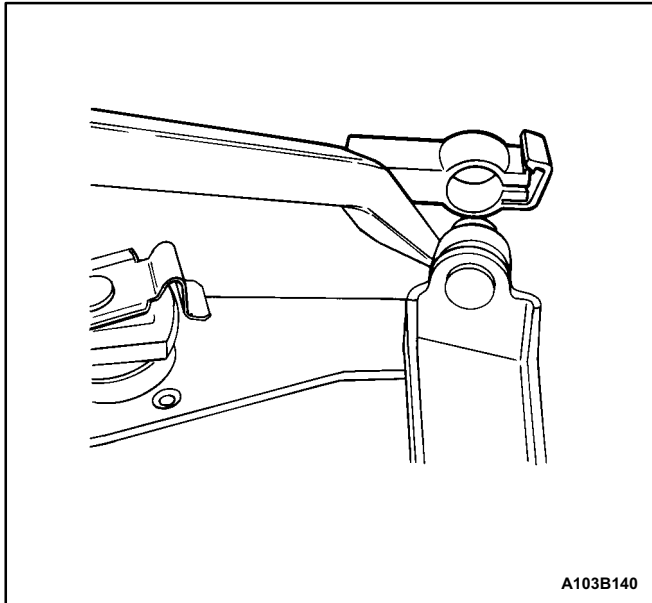


A103B139

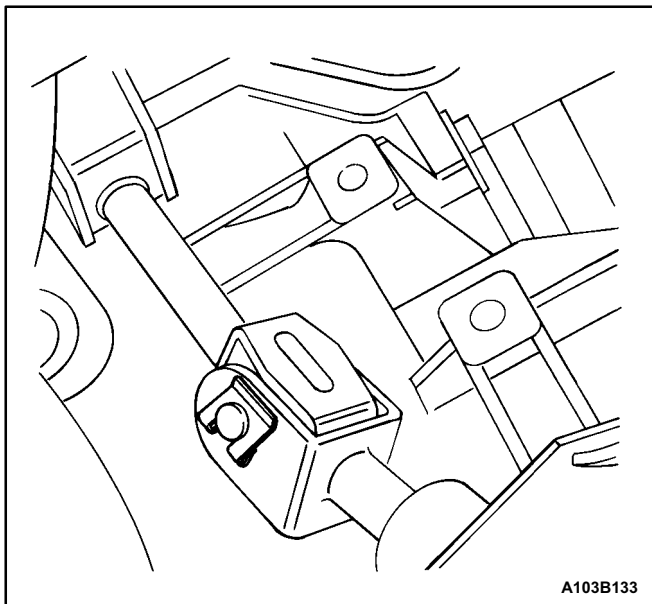
LINKAGE LEVER AND/OR BUSHINGS

Removal Procedure

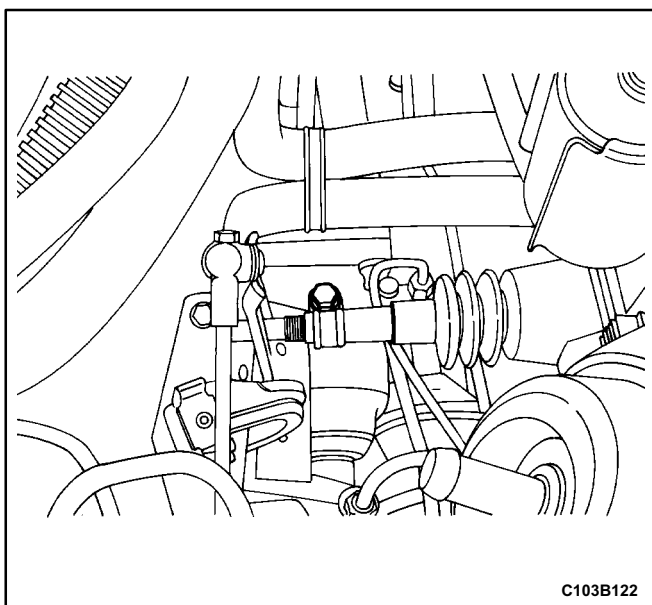
1. Disconnect the negative battery cable.
2. Separate the plastic clip from the end of each ball socket.



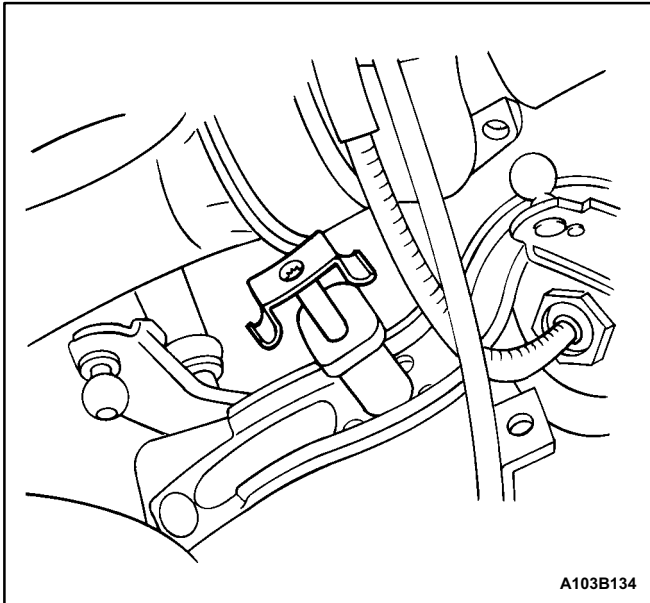
3. Separate the ball sockets from the ball studs on the linkage bolts using a pry bar.
4. Remove the control shift rod.



5. Remove the clip and the bolt from the universal joint.

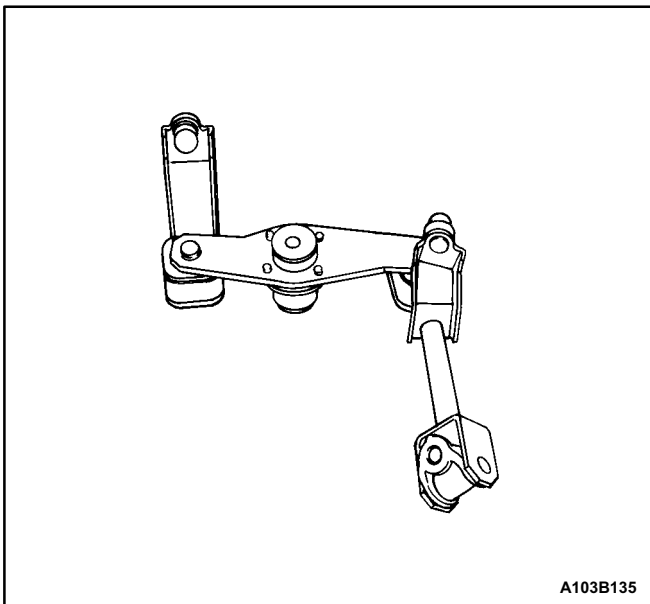


6. Loosen the rod clamp bolt.
7. Separate the linkage bolt from the shift tube.



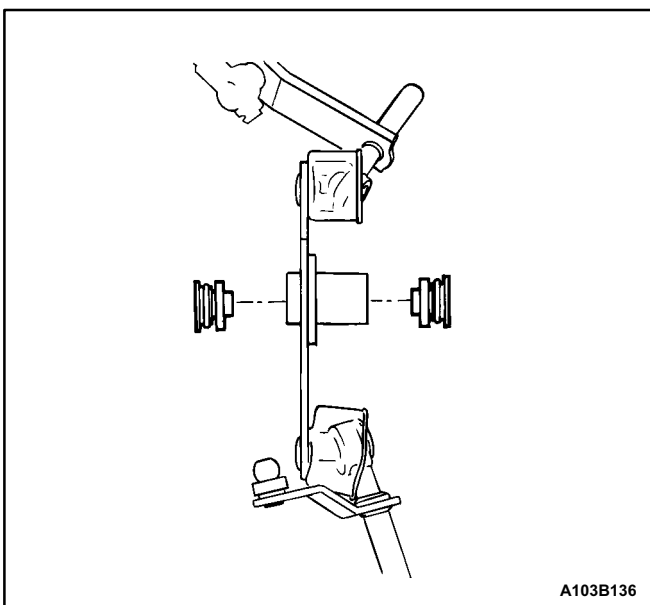
A103B134

8. Loosen the spring clips and remove the pivot bolt.



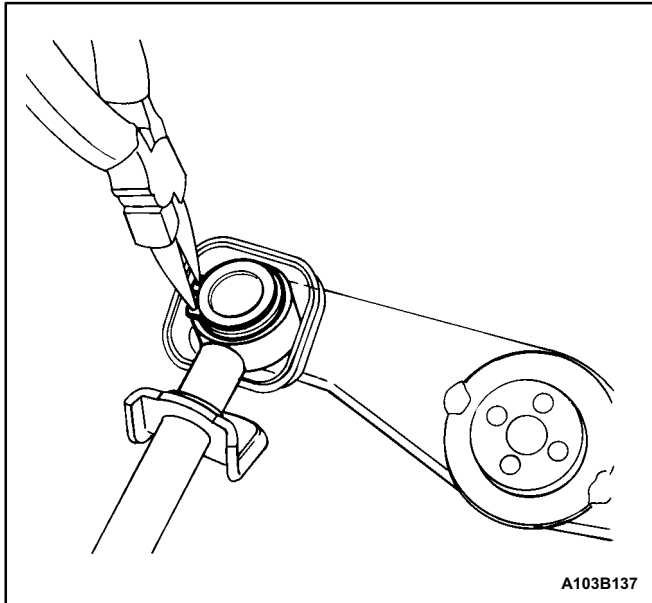
A103B135

9. Remove the linkage lever assembly from the vehicle.

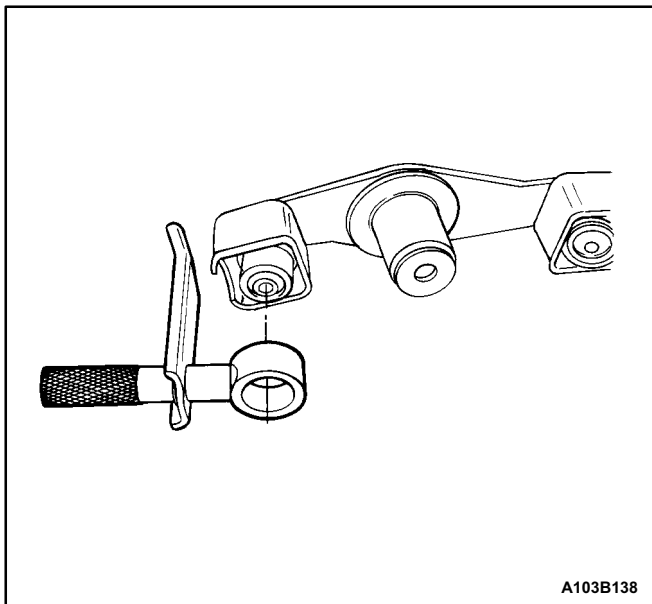


A103B136

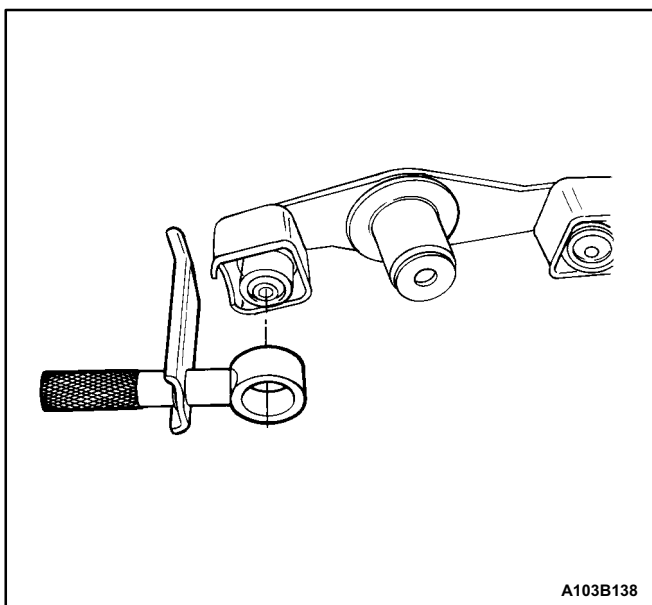
10. Remove both linkage lever bushings from the linkage lever assembly.



11. Remove the snap rings that retain the linkage bolts to the linkage lever assembly.

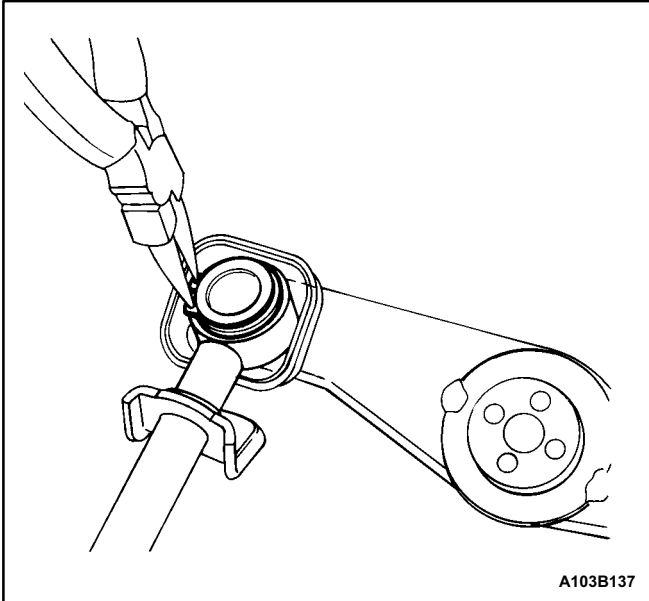


12. Disconnect the linkage bolts from the linkage lever.

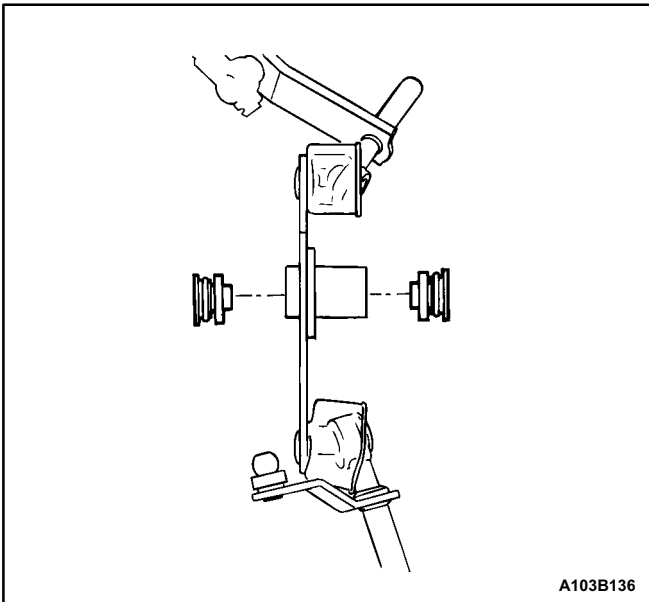


Installation Procedure

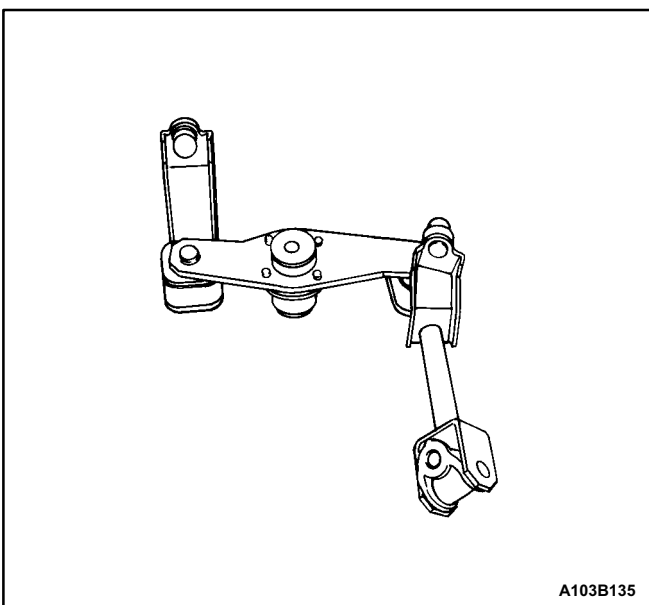
1. Connect the linkage bolts to the linkage lever.



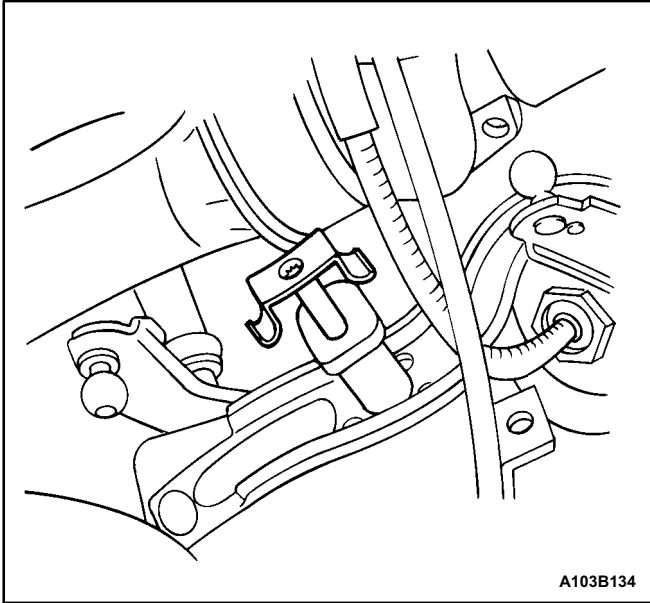
2. Install the snap rings to retain the linkage bolts to the linkage lever assembly.



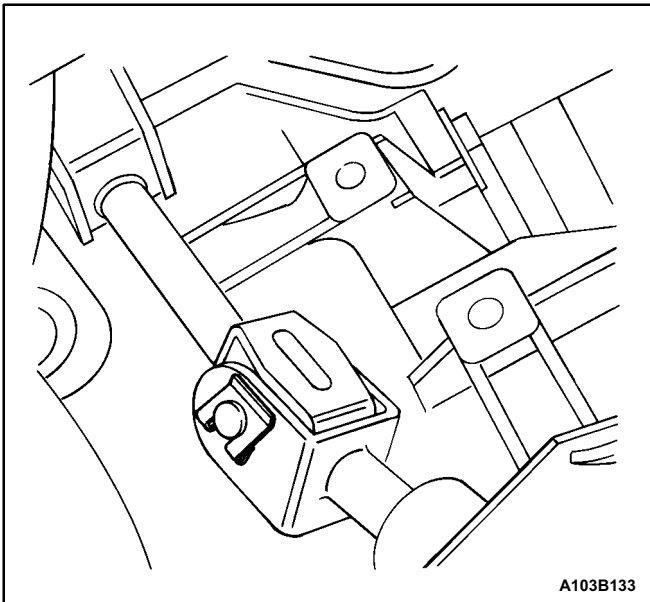
3. Coat the linkage lever bushings with silicone grease.
4. Install both of the linkage lever bushings into the linkage lever assembly.



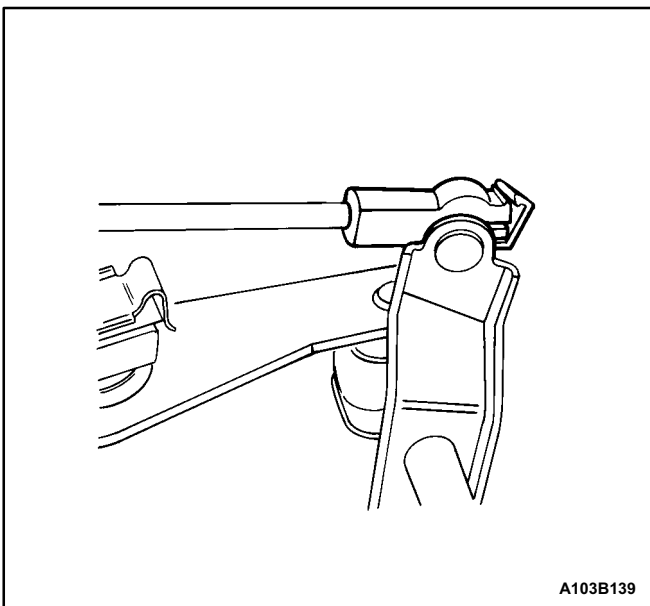
5. Install the linkage lever assembly into the vehicle.



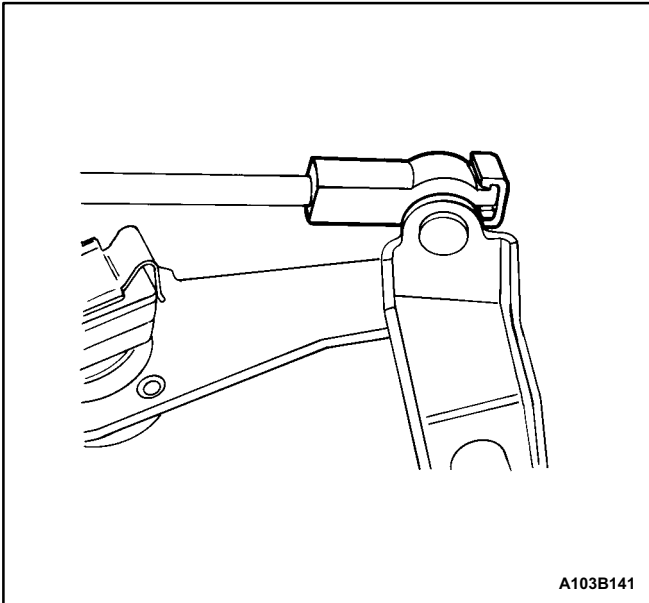
6. Install the pivot bolt. Make sure the spring clips are engaged.



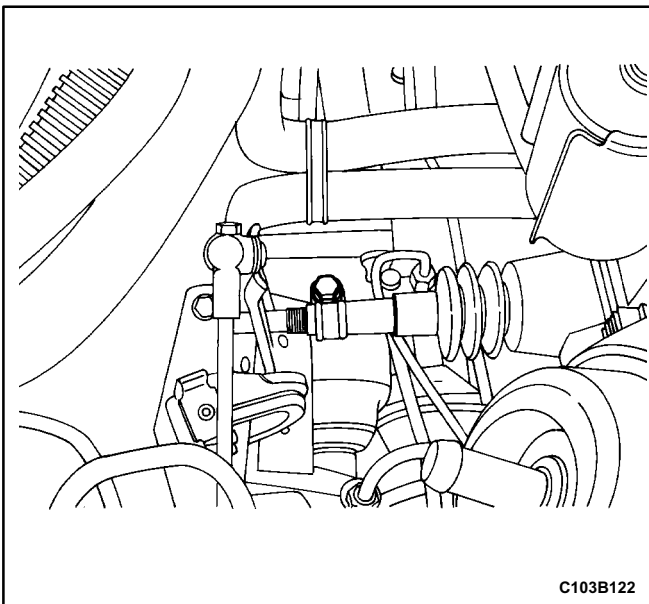
7. Coat the universal joint bolt with silicone grease.
8. Install the universal joint bolt and the clip onto the universal joint.



9. Install the control shift rod.
10. Press the ball sockets onto the ball studs on the linkage bolts.



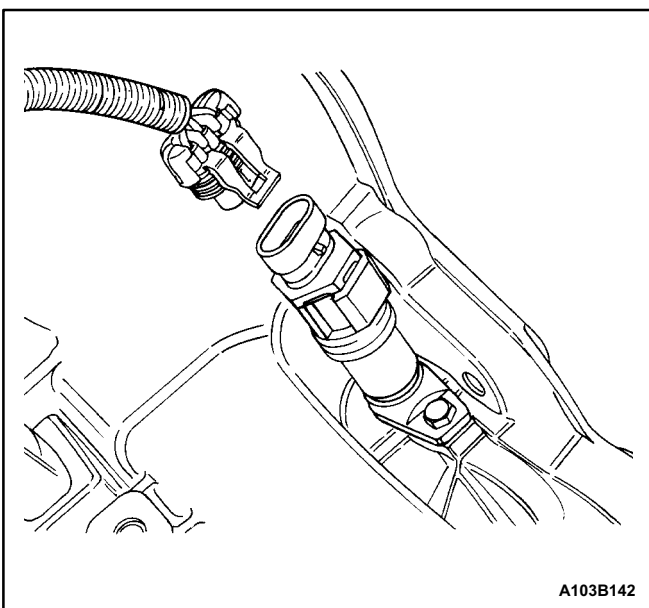
11. Connect the plastic clips on the end of each ball socket.



12. Connect the linkage bolt to the shift tube.
13. Adjust the shift linkage. Refer to „Shift Linkage Adjustment” in this section.
14. Tighten the rod clamp bolt.

Tighten

- Tighten the rod clamp bolt to 14 N•m (124 lb•in).
15. Connect the negative battery cable.

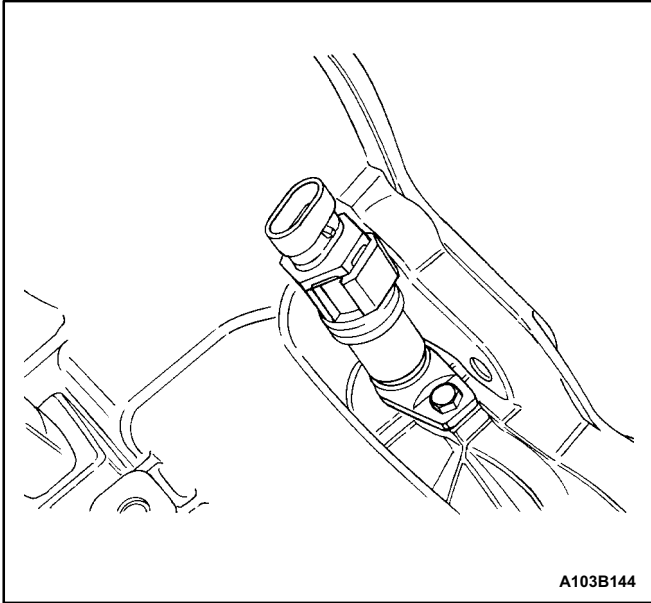


SPEEDOMETER DRIVEN GEAR

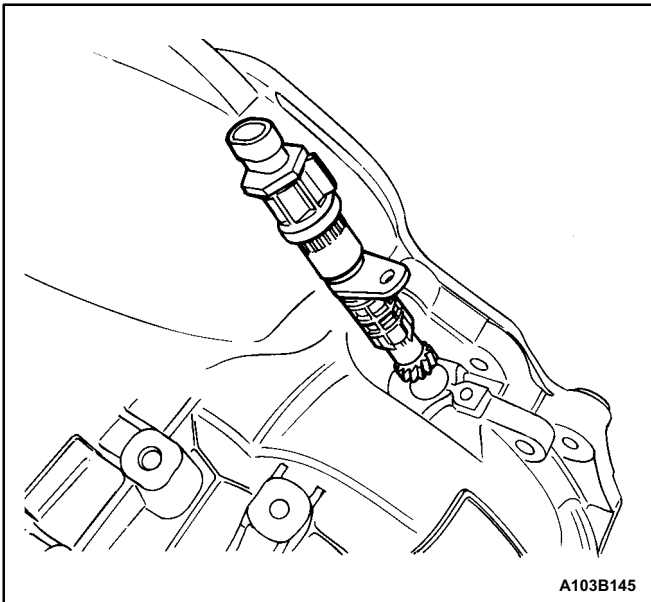
Removal Procedure

1. Disconnect the speedometer speed sensor electrical connector.

2. Remove the speedometer housing retaining bolt.

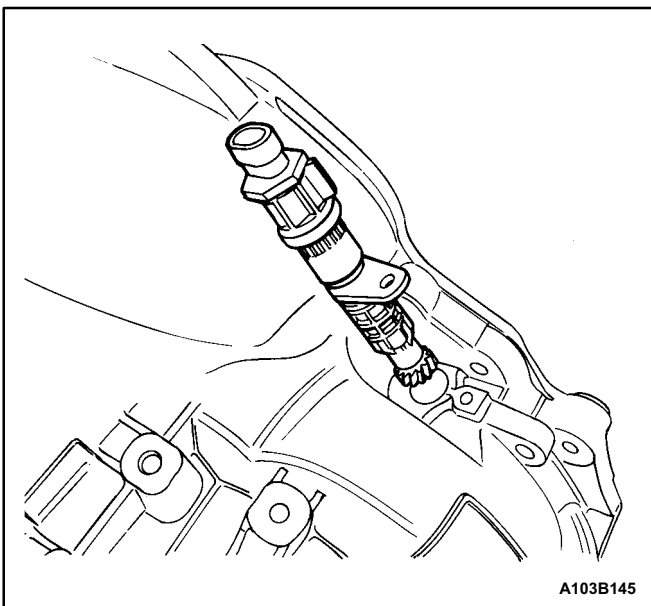


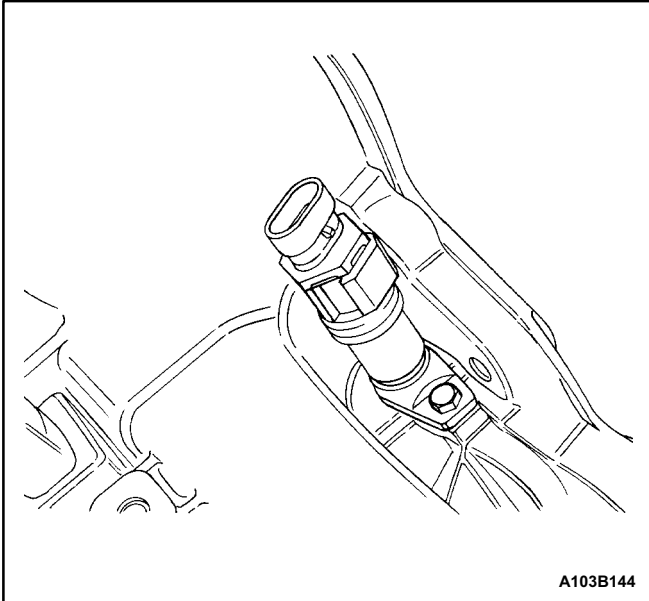
3. Remove the speedometer driven gear and the speedometer housing.



Installation Procedure

1. Coat the O-ring with petroleum jelly.
2. Install the speedometer driven gear and the speedometer housing.

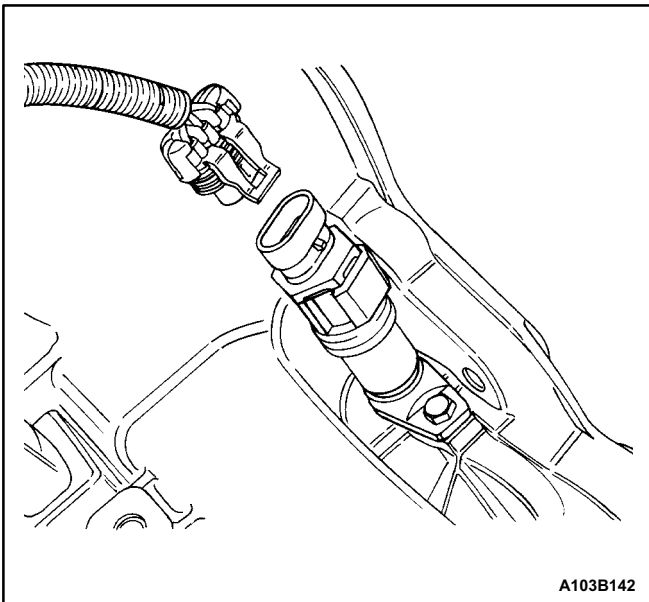




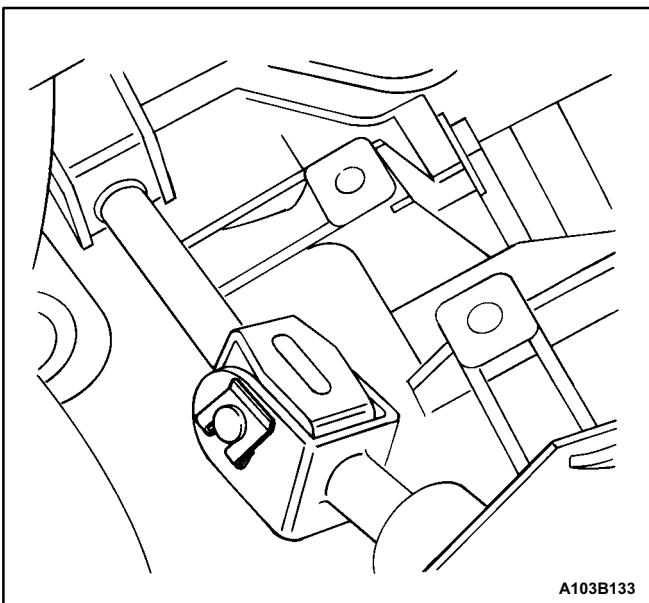
3. Install the speedometer housing retaining bolt.

Tighten

Tighten the speedometer housing retaining bolt to 4N•m (35 lb•in).



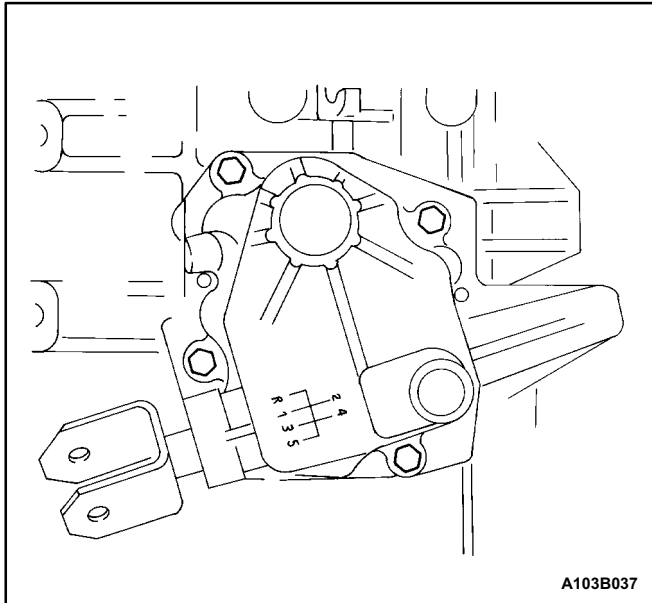
4. Connect the speedometer speed sensor electrical connector.



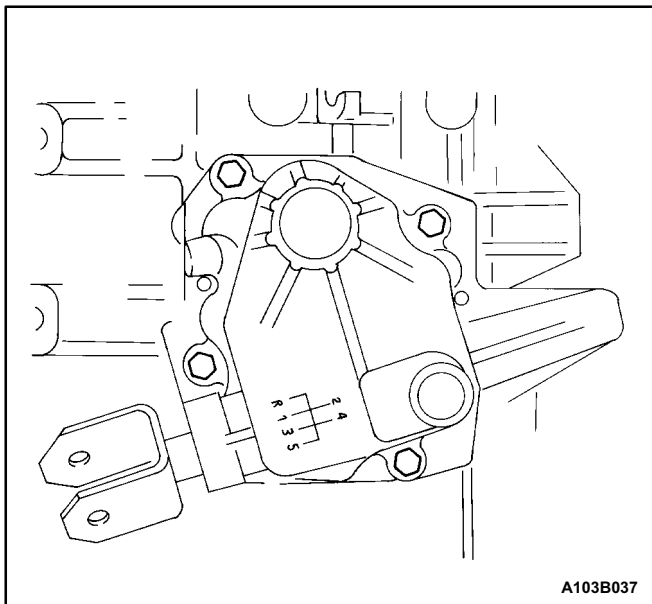
SHIFT LEVER COVER

Removal Procedure

1. Remove the clip and the bolt at the universal joint.



2. Remove the gearshift lever cover bolts.
3. Separate the gearshift lever cover and the gasket from the case.

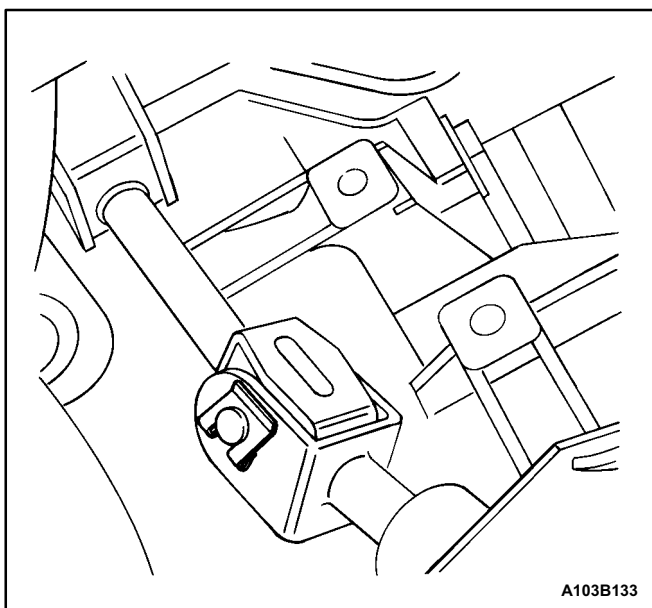


Installation Procedure

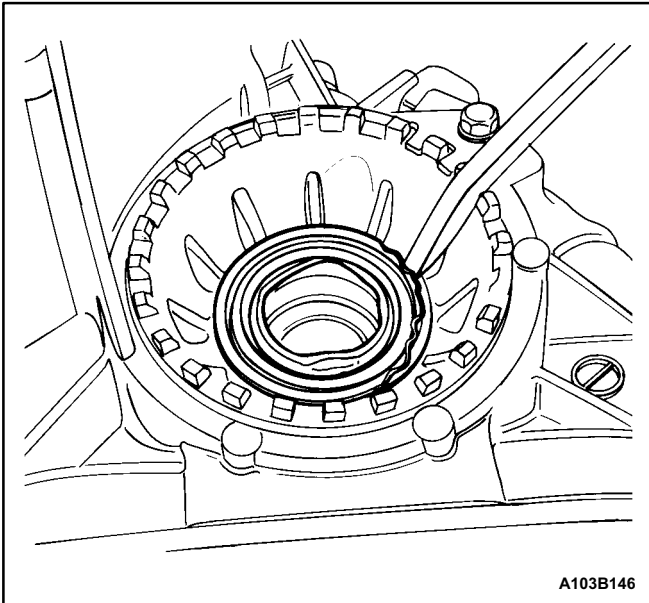
1. Position the gearshift lever cover and the gasket onto the case.
2. Install the gearshift lever cover bolts.

Tighten

Tighten the gearshift lever cover bolts to 22 N•m (16 lb•ft).



3. Install the bolt and the clip at the universal joint.
4. Check and adjust the fluid level. Refer to „Checking Fluid Level” in this section.



A103B146

DRIVE AXLE SEAL

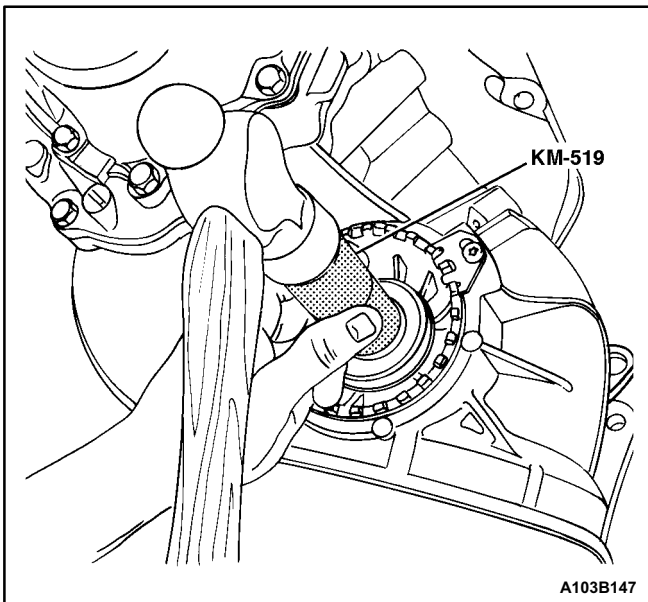
Tools Required

KM-519 Ring Installer

Removal Procedure

Notice: Do not damage the bearing adjusting ring with the pry bar.

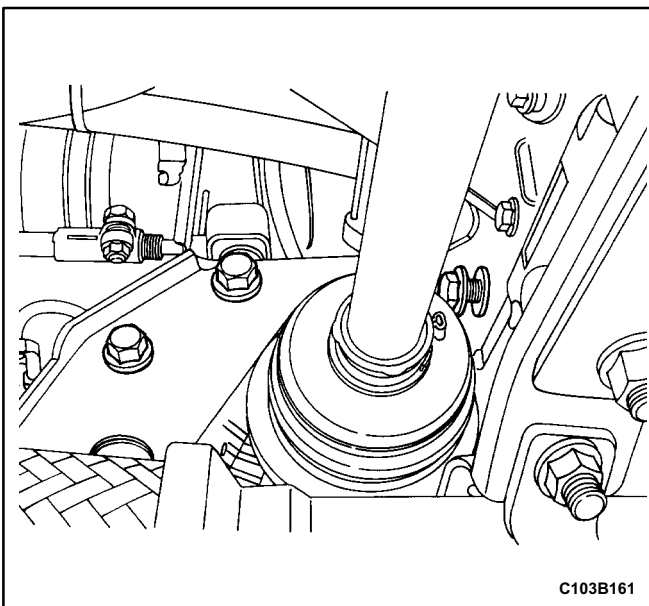
1. Remove the drive axle from the transaxle. Refer to *Section 3B, Manual Transaxle Drive Axle*.
2. Remove the drive axle seal by lifting the outer lip of the seal with a pry bar.



A103B147

Installation Procedure

1. Install the new drive axle seal using the ring installer KM-519 and a hammer.
2. Coat the seal lip with the transaxle fluid.
3. Install the drive axle. Refer to *Section 3B, Manual Transaxle Drive Axle*.

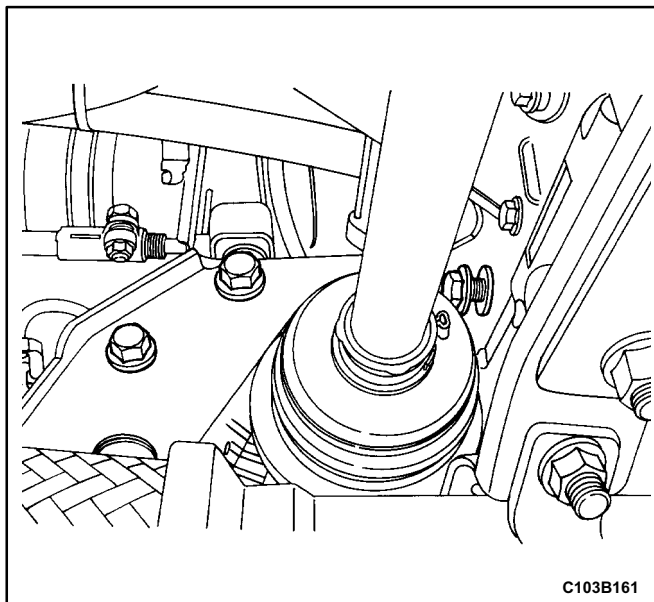


C103B161

TRANSAXLE BRACKET

Removal Procedure

1. Remove the center member from the vehicle. Refer to *Section 9N, Frame and Underbody*.
2. Disconnect the linkage lever from the transaxle bracket. Refer to „Linkage Lever and/or Bushings” in this section.
3. Remove the bolts that connect the transaxle bracket to the transaxle and the bolt that connects the transaxle bracket to the engine.
4. Remove the transaxle bracket.



Installation Procedure

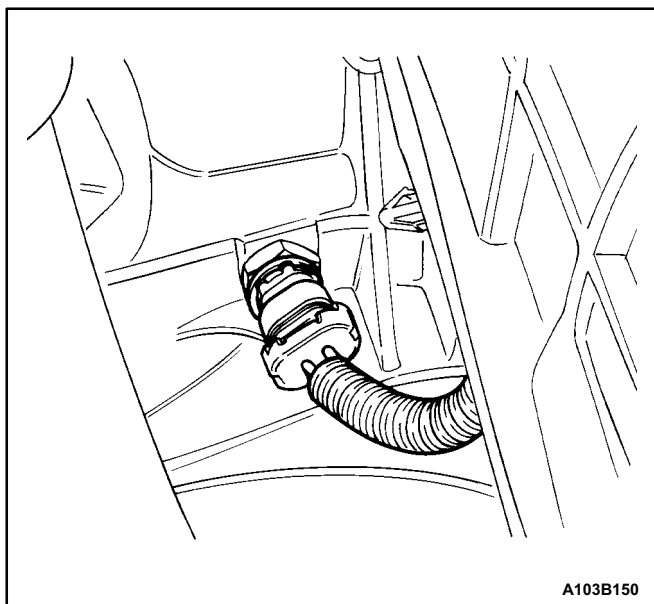
1. Install the transaxle bracket.
2. Install the bolts that connect the transaxle bracket to the transaxle and the bolt that connects the transaxle bracket to the engine.

Tighten

Tighten the transaxle bracket to transaxle bolts to 90 N•m (66 lb•ft).

Tighten the transaxle bracket to engine bolt to 90 N•m (66 lb•ft).

3. Connect the linkage lever to the transaxle bracket. Refer to „Linkage Lever and/or Bushings” in this section.
4. Install the center member into the vehicle. Refer to *Section 9N, Frame and Underbody*.



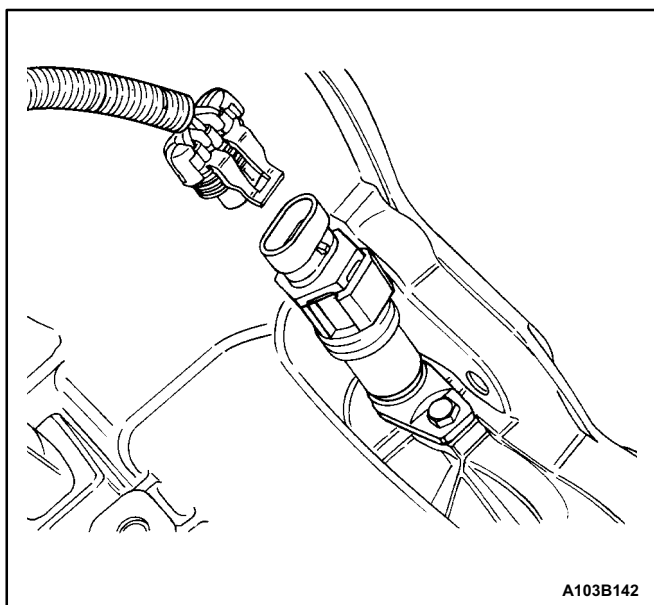
TRANSAXLE ASSEMBLY

Tools Required

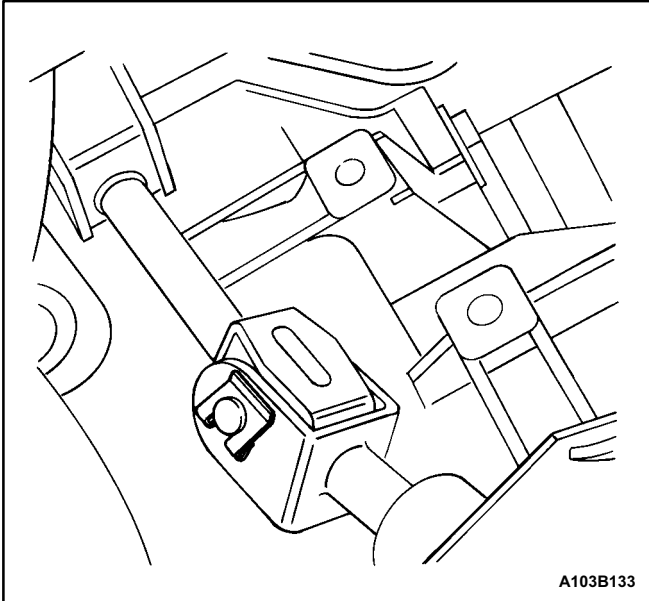
J-28467-B Engine Support Fixture

Removal Procedure

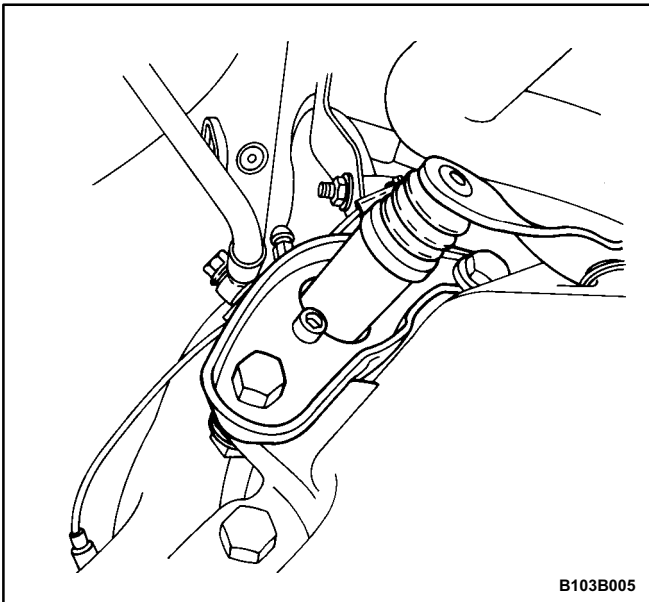
1. Disconnect the backup lamp switch electrical connector.



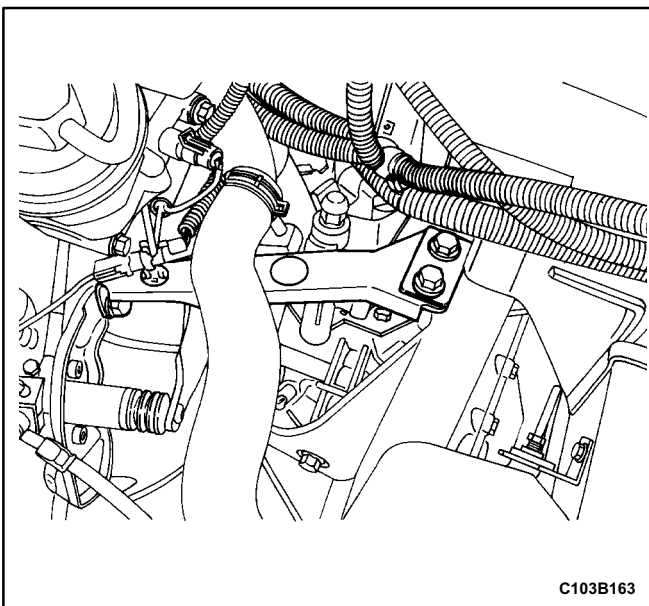
2. Disconnect the speedometer speed sensor electrical connector.



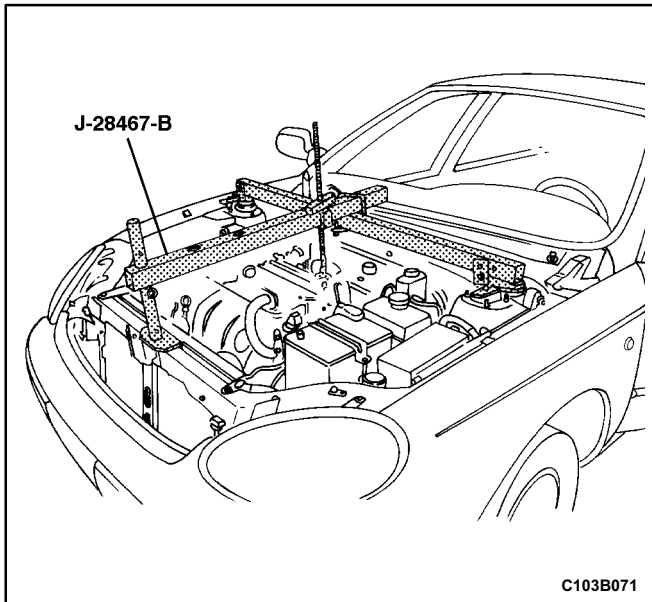
3. Remove the clip and the bolt from the universal joint.



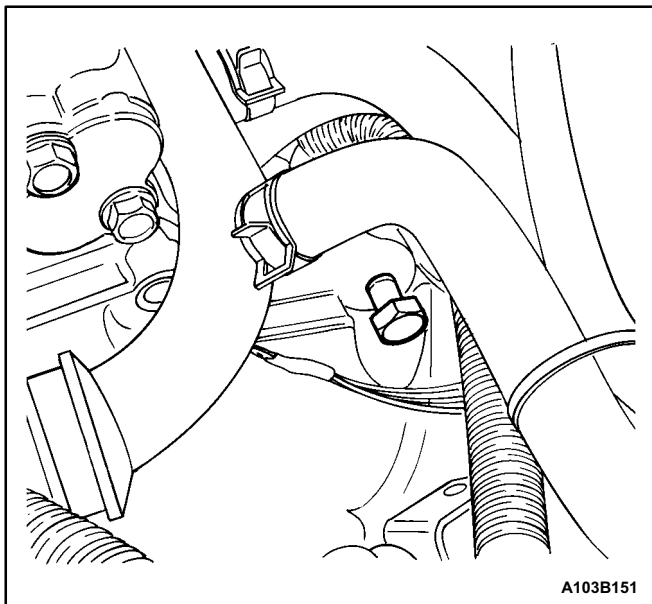
4. Remove the clutch release cylinder bracket bolts and the clutch release cylinder bracket.



5. Remove the bolts and the transaxle upper brace.



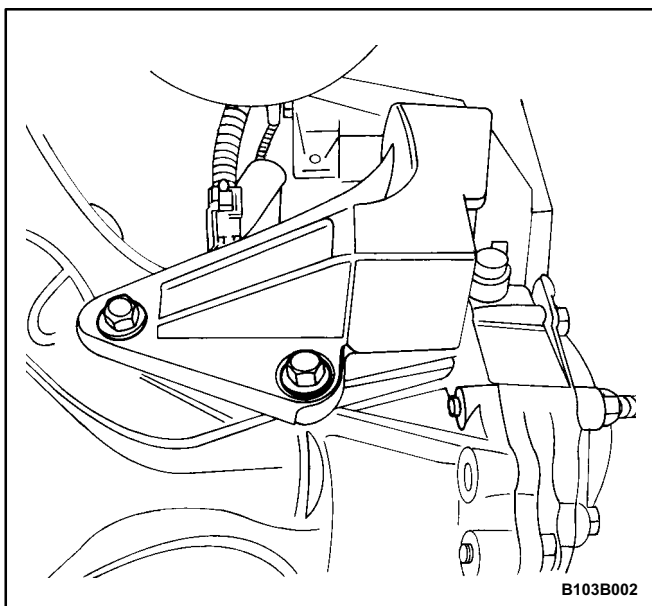
6. Install the engine support fixture J-28467-B.



7. Remove the transaxle to engine upper bolts.

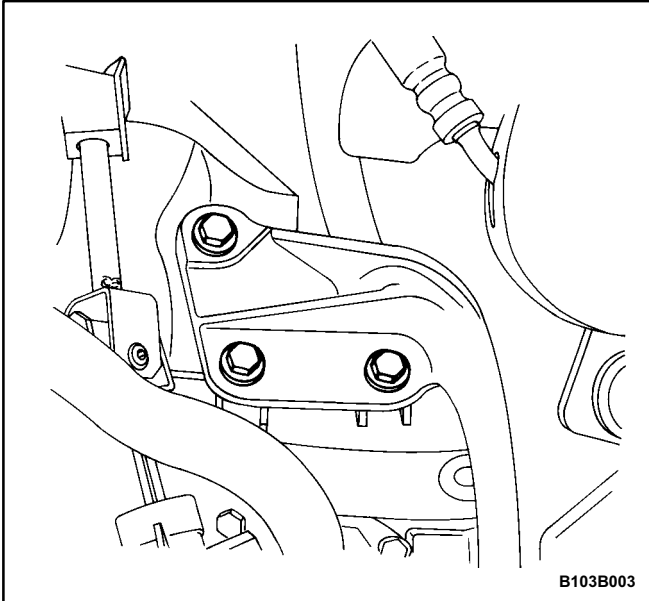
8. Raise and suitably support the vehicle.

9. Remove both of the drive axle shafts. Refer to *Section 3B, Manual Transaxle Drive Axle*.

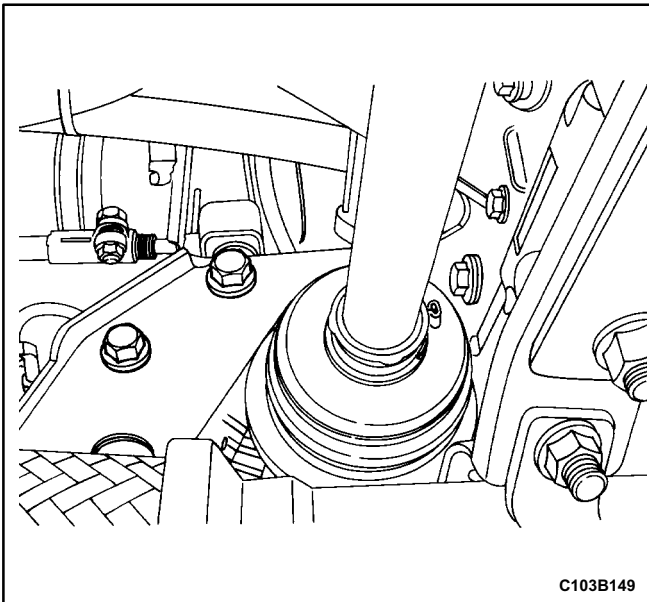


10. Support the transaxle with a transaxle support jack.

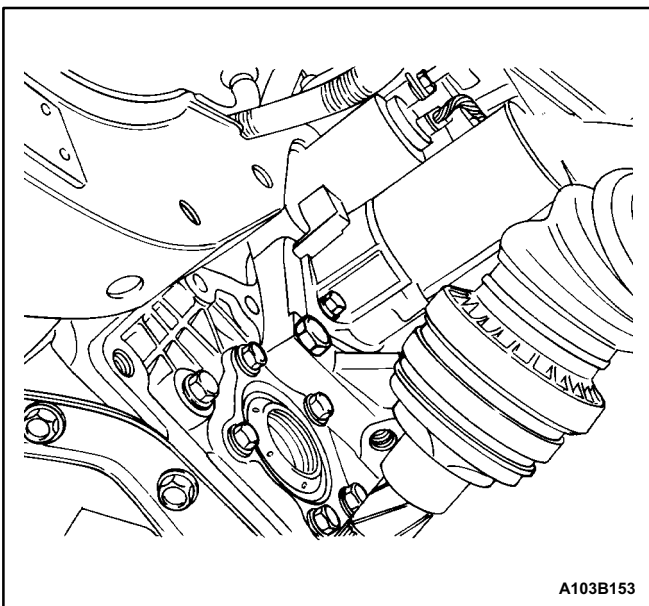
11. Remove the left front transaxle support bracket bolts and the left front transaxle support bracket.



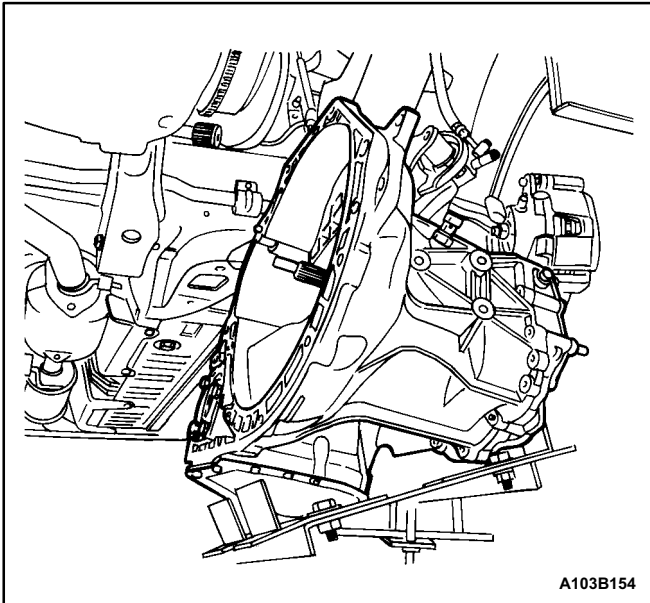
12. Remove the left rear transaxle support bracket bolts and the left rear transaxle support bracket.



13. Remove the center rear transaxle support bracket bolts.



14. Remove the transaxle to engine lower bolts.

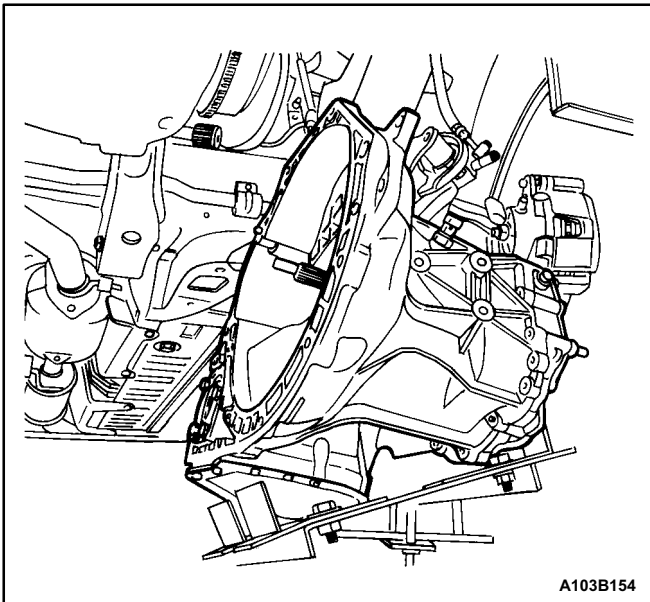


15. Disconnect the transaxle.

Notice: Rest the transaxle only in an upright position.

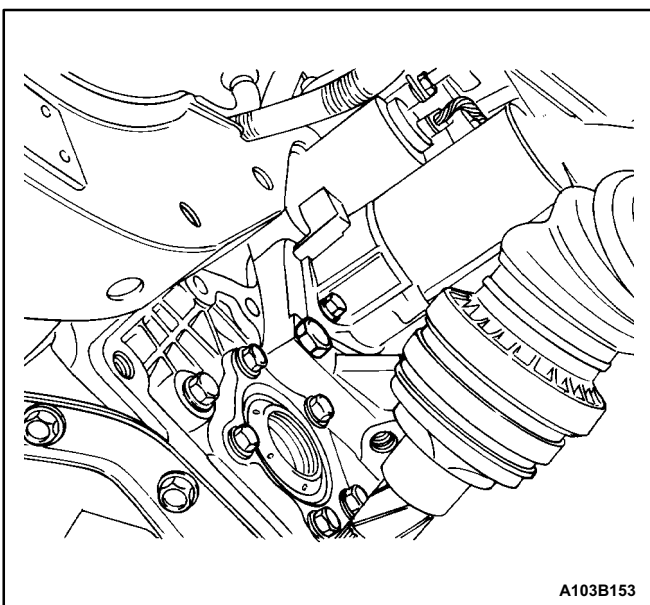
16. Slide the transaxle sideways away from the engine block.

17. Lower the transaxle.



Installation Procedure

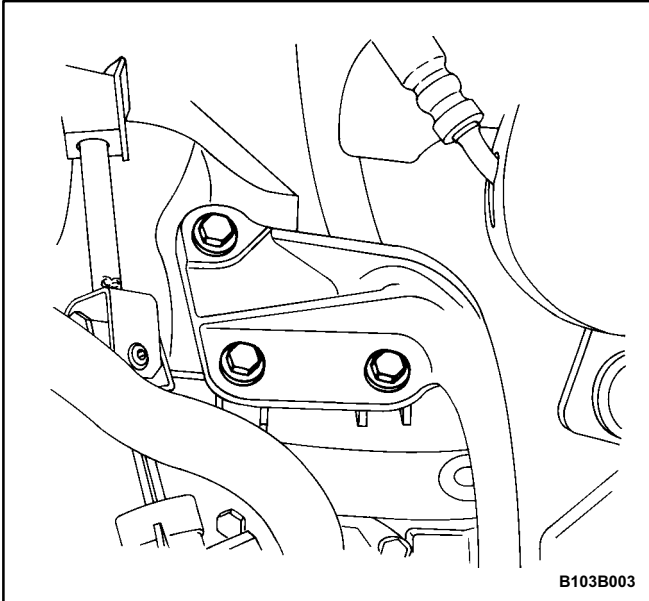
1. Support the transaxle with a transaxle support jack.
2. Install the transaxle by inserting the transaxle input shaft into the clutch disc and sliding the transaxle sideways into the engine block.



3. Install the transaxle to engine lower bolts.

Tighten

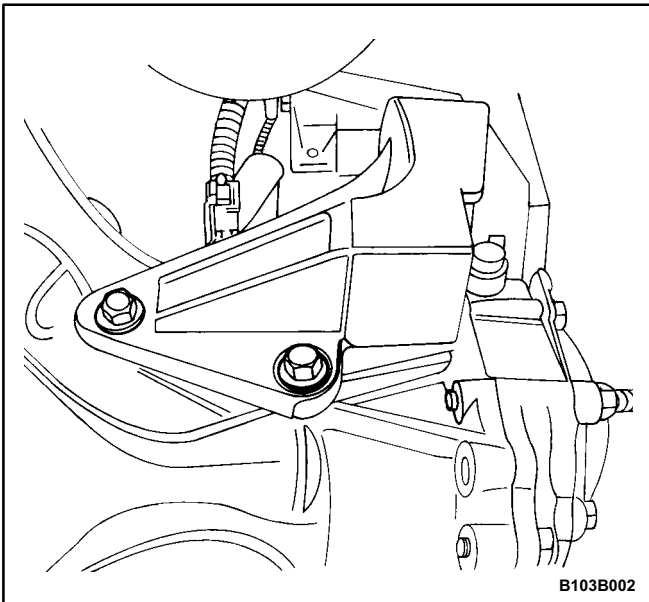
Tighten the transaxle to engine lower bolts to 75 N•m (55 lb•ft).



4. Install the left rear transaxle support bracket and the bolts.

Tighten

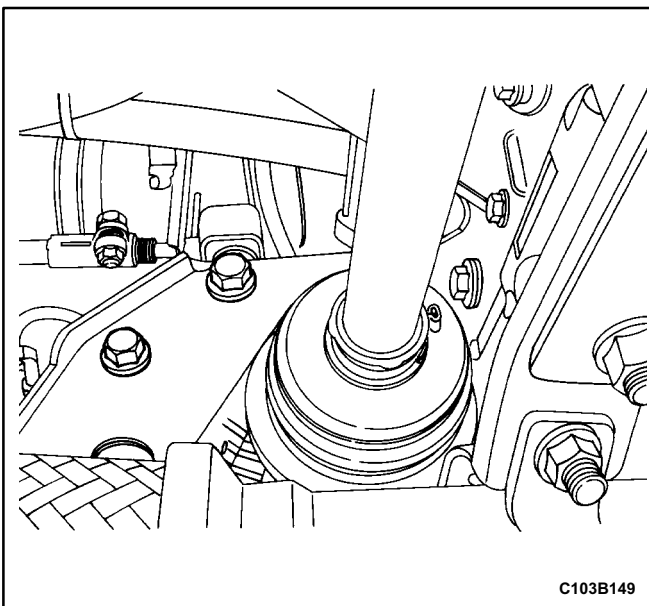
Tighten the left rear transaxle support bracket bolts to 60 N•m (44 lb•ft).



5. Install the left front transaxle support bracket and the bolts.

Tighten

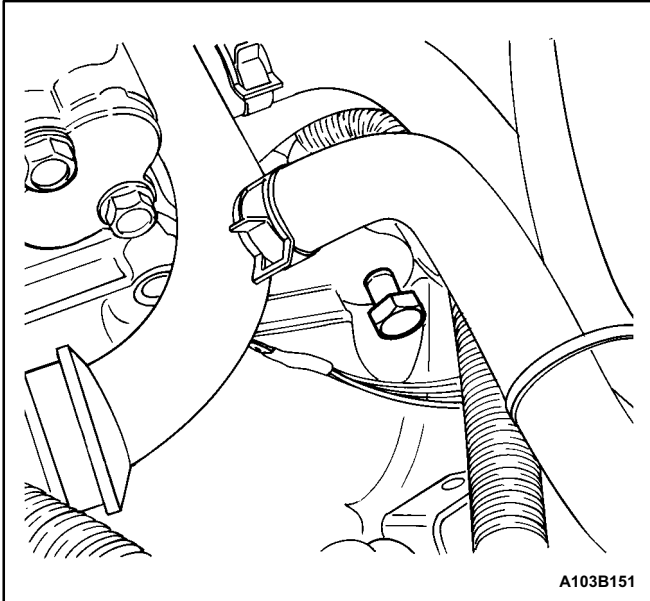
Tighten the left front transaxle support bracket bolts to 60 N•m (44 lb•ft).



6. Install the center rear transaxle support bracket and the transaxle support bracket bolts.

Tighten

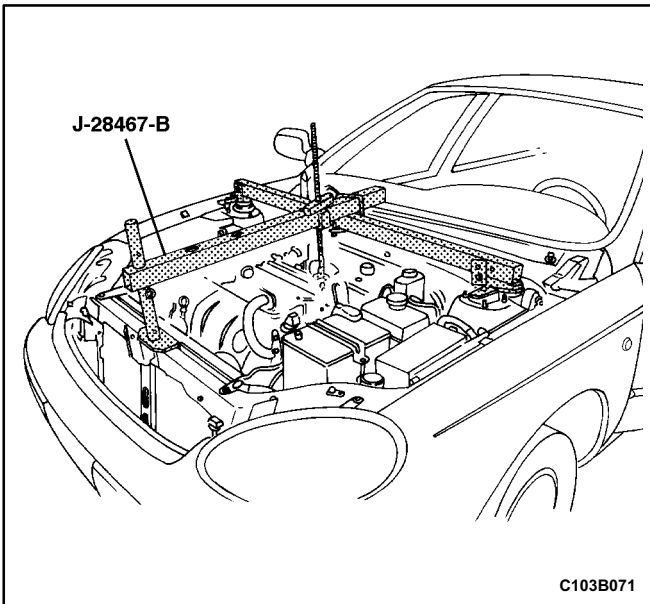
Tighten the center rear transaxle support bracket bolts to 90 N•m (66 lb•ft).



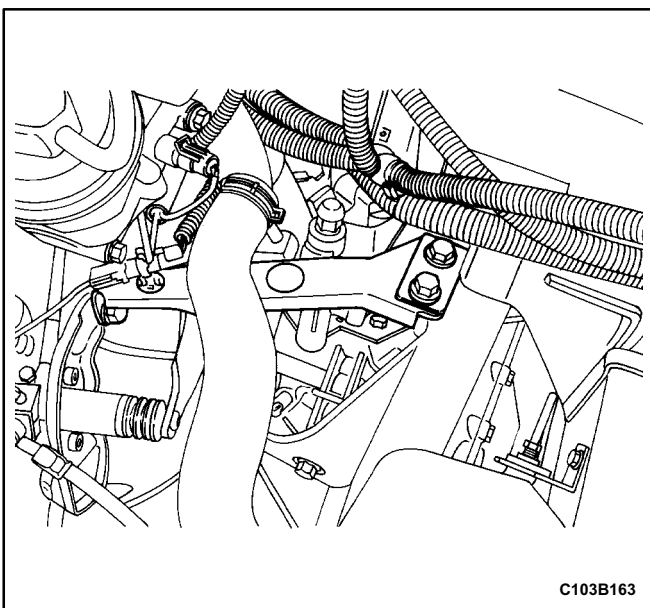
7. Install both of the drive axle shafts. Refer to *Section 3B, Manual Transaxle Drive Axle*.
8. Lower the vehicle.
9. Install the upper transaxle to engine bolts.

Tighten

Tighten the transaxle to engine upper bolts to 75 N•m (55 lb•ft).



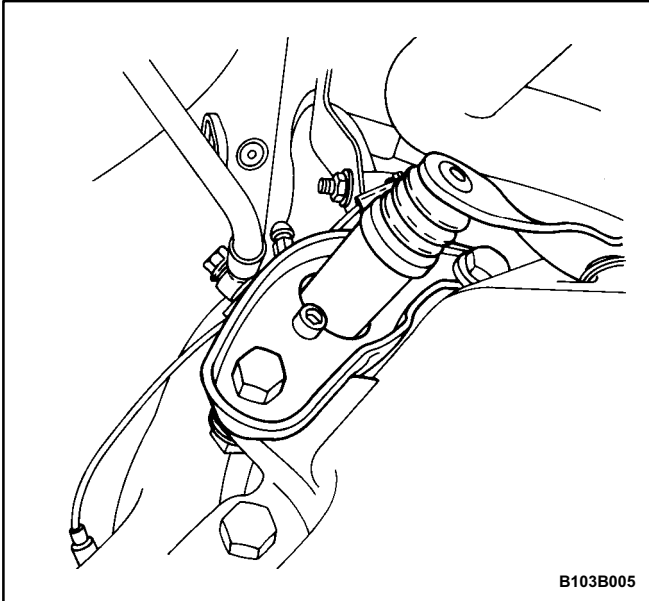
10. Remove the engine support fixture J28467B.



11. Install the transaxle upper brace with the bolts.

Tighten

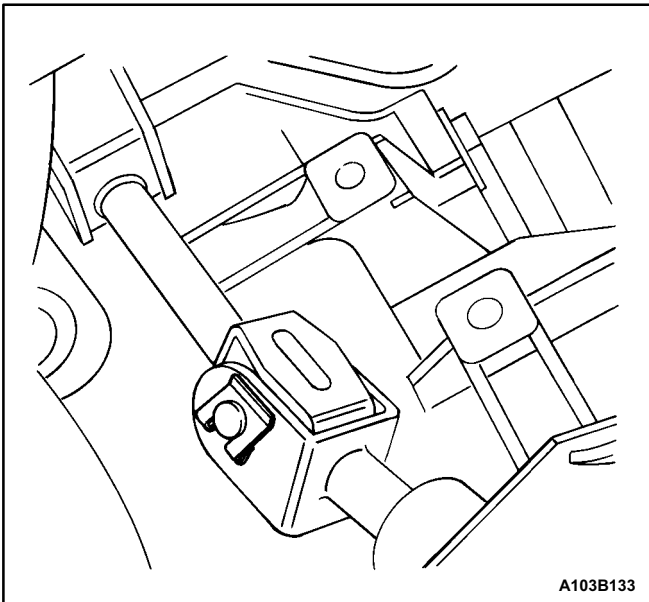
Tighten the transaxle upper brace bolts to 75 N•m (55 lb•ft).



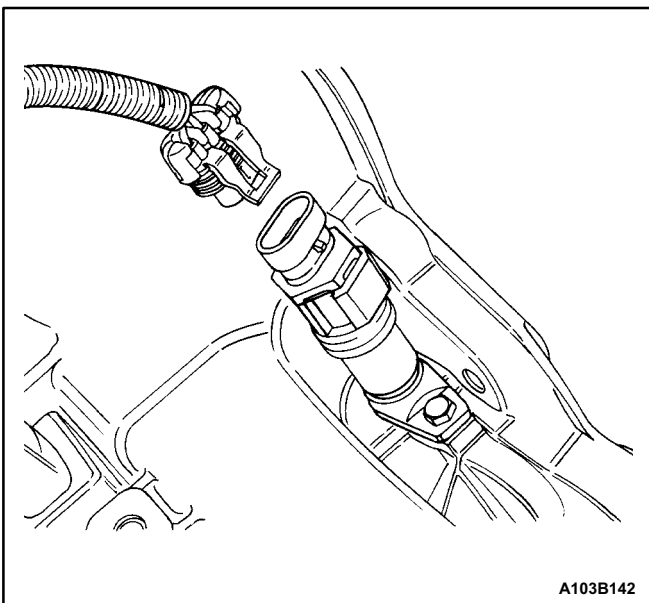
12. Install the clutch release cylinder bracket and the clutch release cylinder bracket bolts.

Tighten

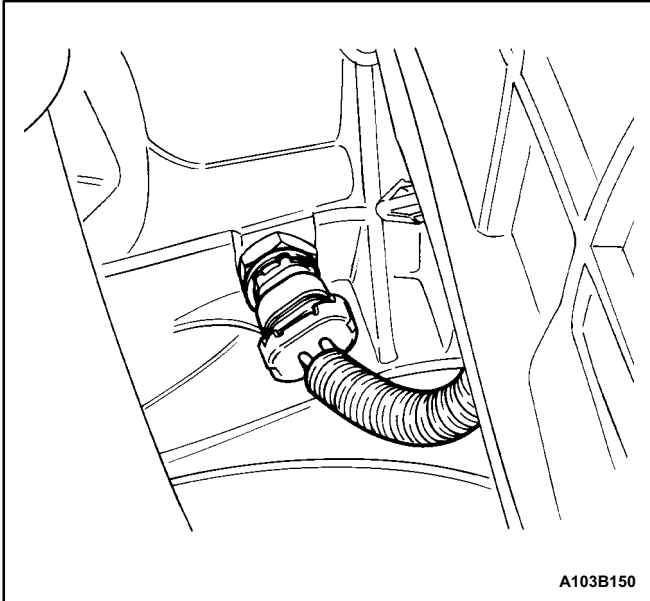
Tighten the clutch release cylinder bracket bolts to 75 N•m (55 lb•ft).



13. Install the bolt and the clip onto the universal joint.



14. Connect the speedometer speed sensor electrical connector.



15. Connect the backup lamp switch electrical connector.
16. Inspect the fluid level. Refer to „Checking Fluid Level” in this section.

UNIT REPAIR

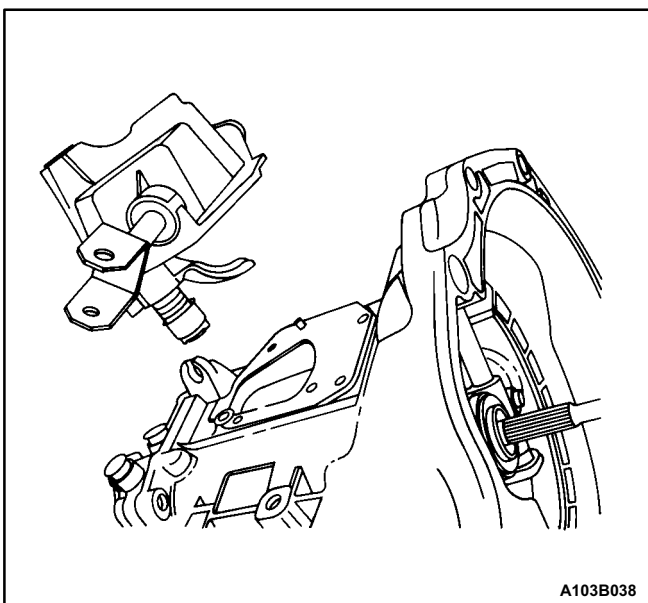
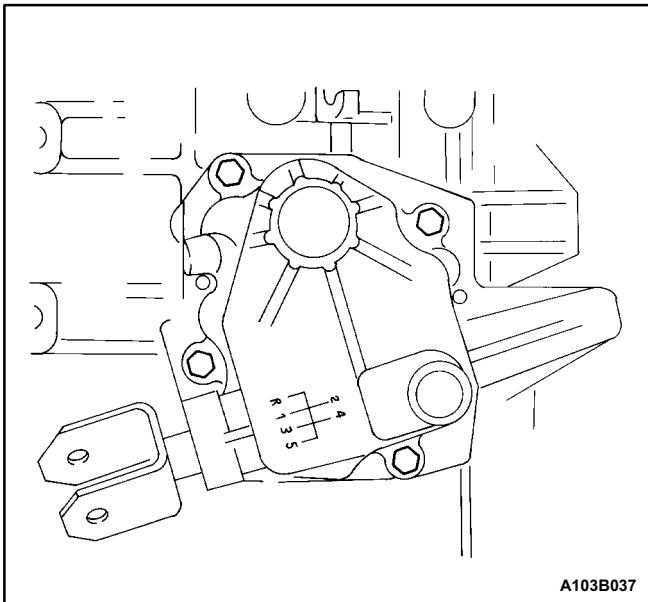
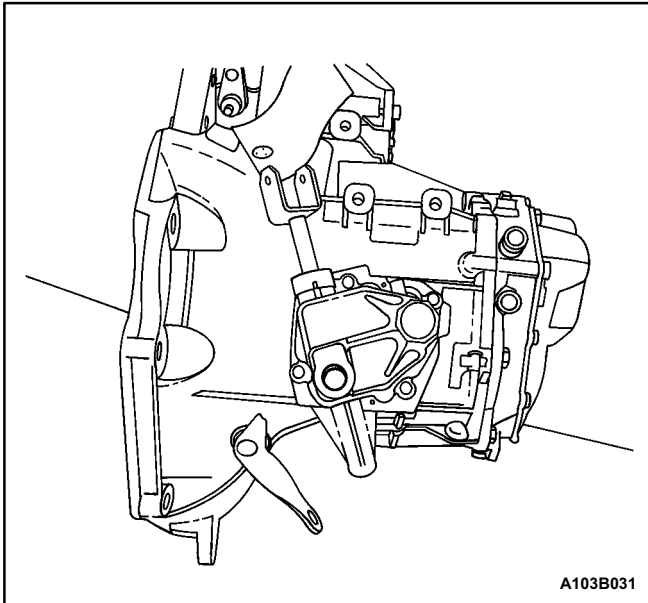
MAJOR COMPONENT DISASSEMBLY

Tools Required

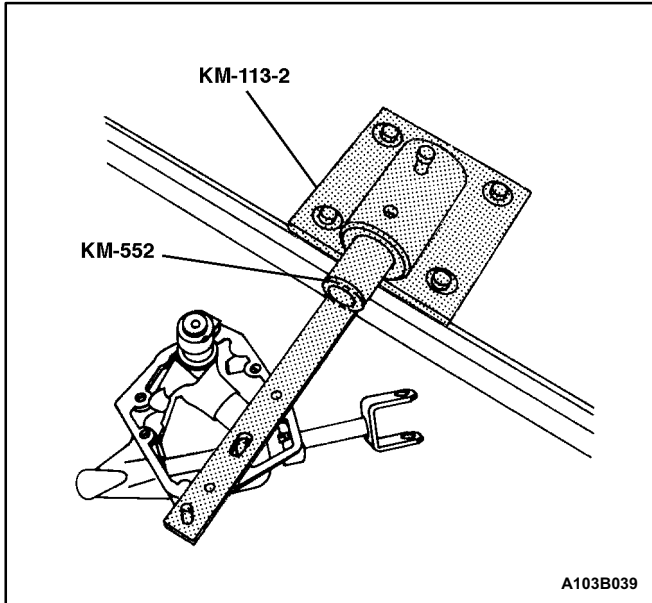
- J-6125-B Slide Hammer
- J-22888-20-A Bearing Puller with J-22888-35 Puller Legs
- KM-553-A Fifth Gear Puller
- J-36633 Snap Ring Retainer
- KM-113-2 Base
- J-42469 Shift Rod Remover
- KM-552 Fixture

Disassembly Procedure

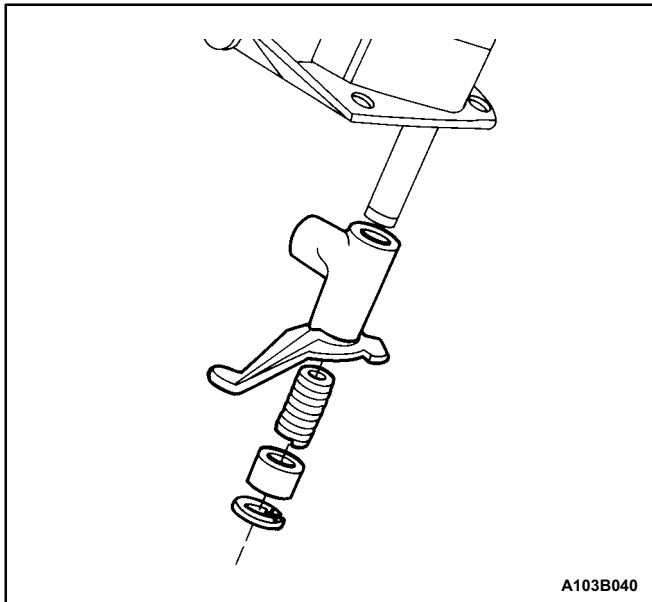
1. Remove the transaxle from the vehicle. Refer to „Transaxle Assembly” in this section.
2. Remove the filler plug at the cover.
3. Remove the bolts from the gearshift lever cover.



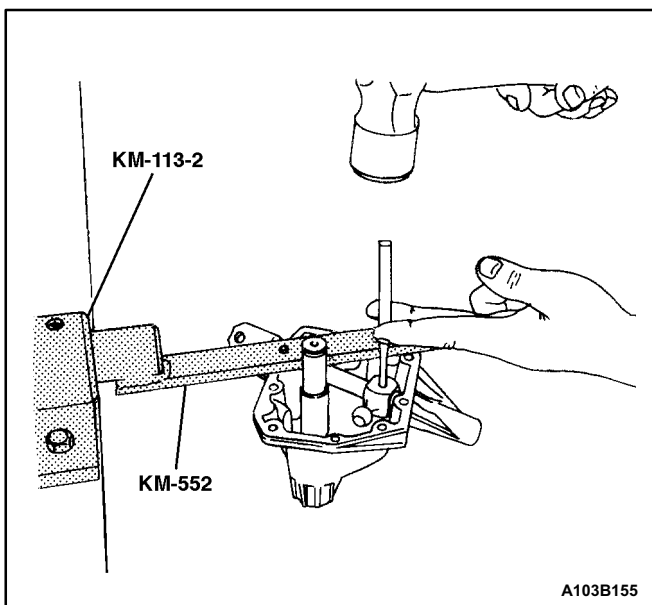
4. Remove the gearshift lever cover.



5. Bolt the gearshift lever cover to the fixture KM-552.
6. Position the fixture KM-552 into the base KM-113-2.

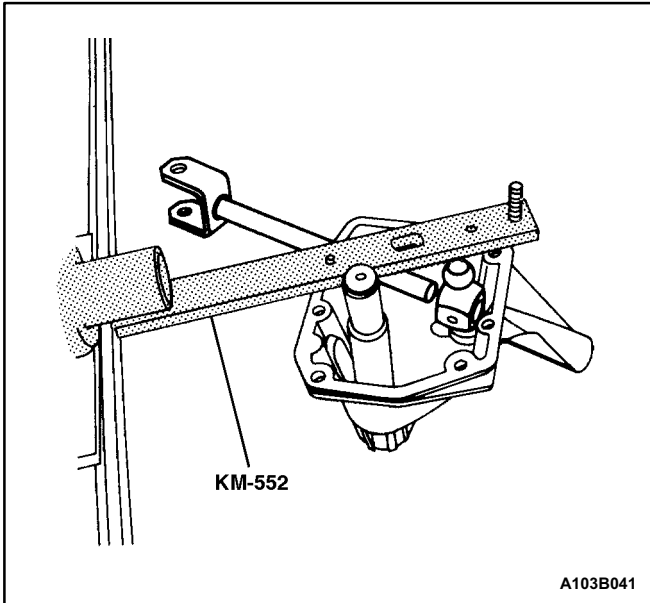


7. Remove the snap ring, the bushing, the spring, and the intermediate lever.

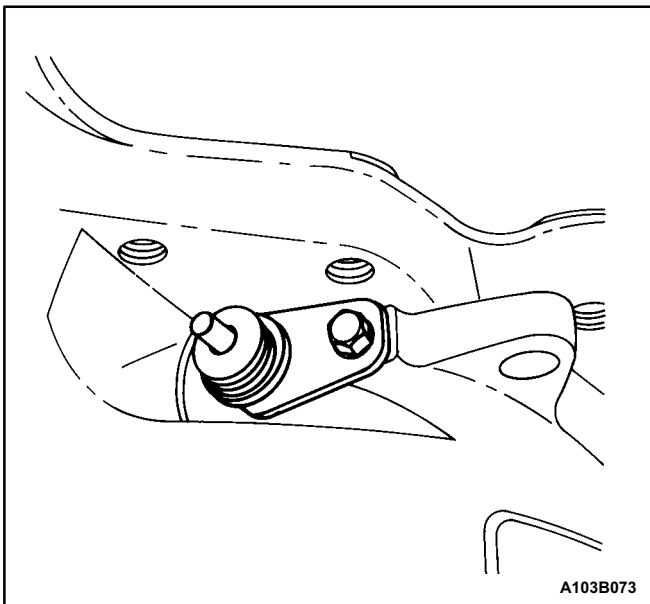


8. Remove the shift finger lever pin.

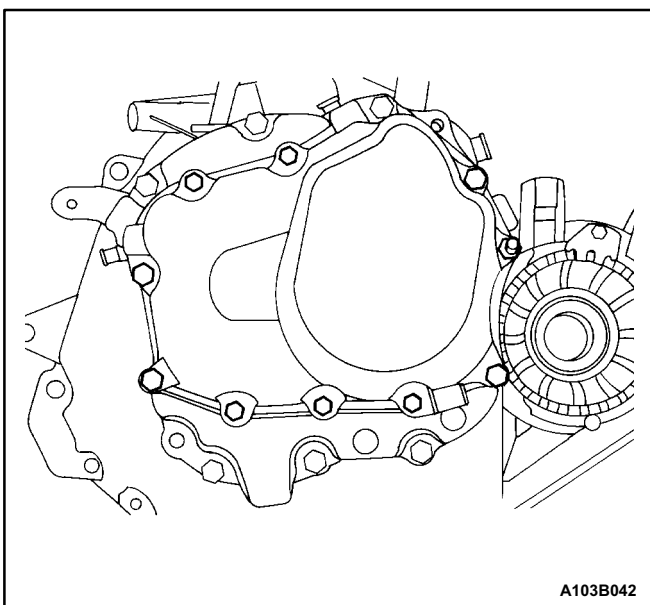
9. Remove the gearshift rod and the shift finger lever.



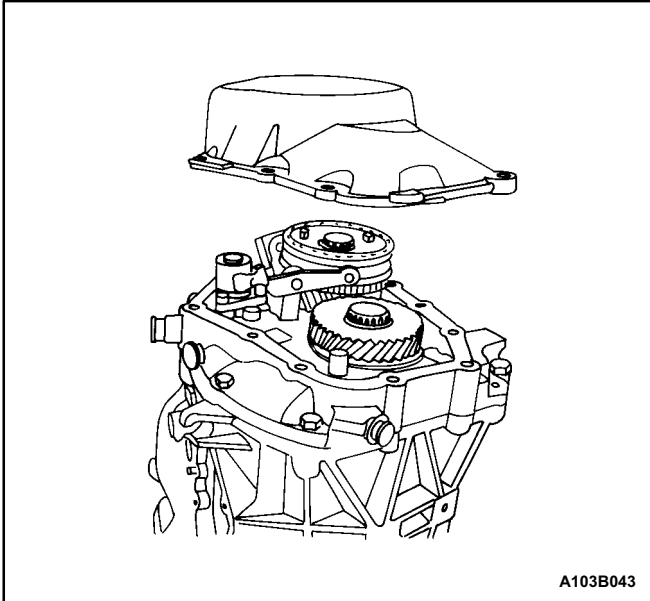
10. Remove the bolt and the speedometer driven gear from the transaxle housing.



11. Remove the transaxle cover bolts.

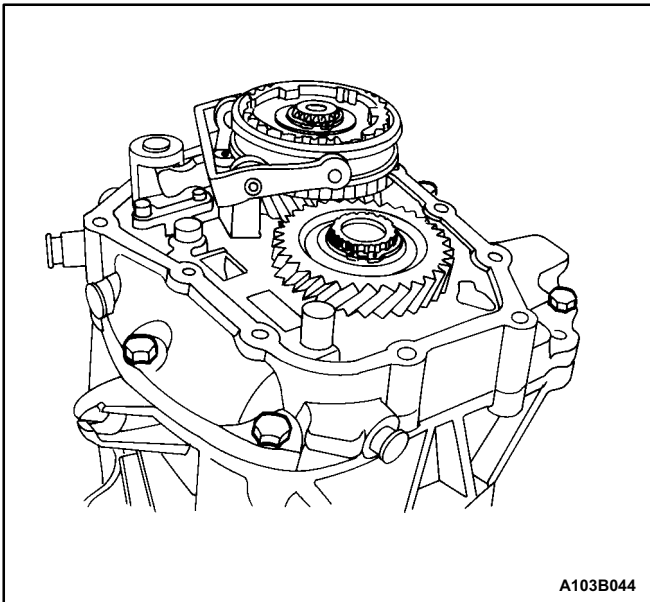


12. Remove the transaxle cover.

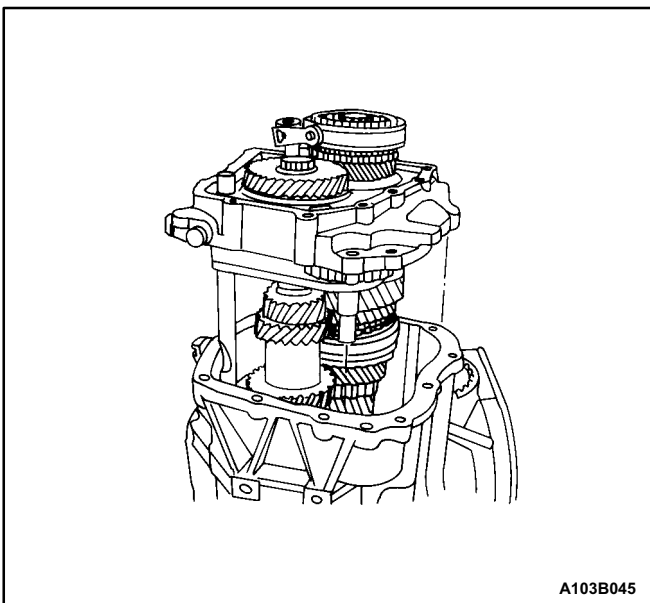


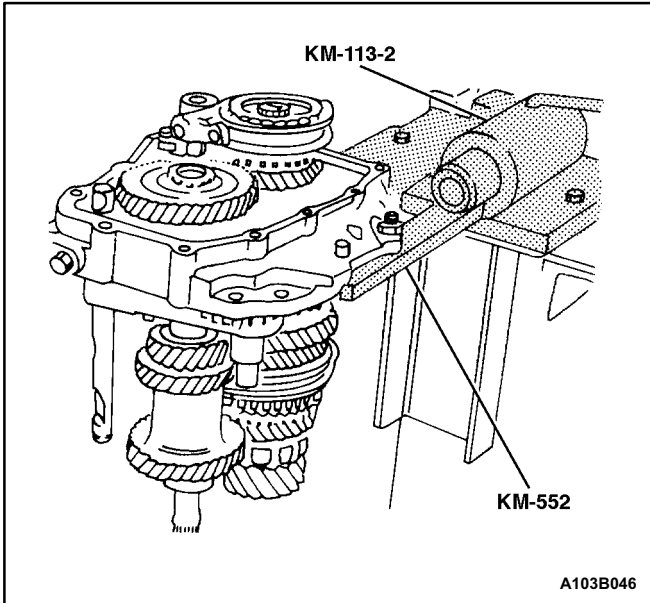
13. Shift the transaxle into second gear.

14. Remove the bearing plate bolts.

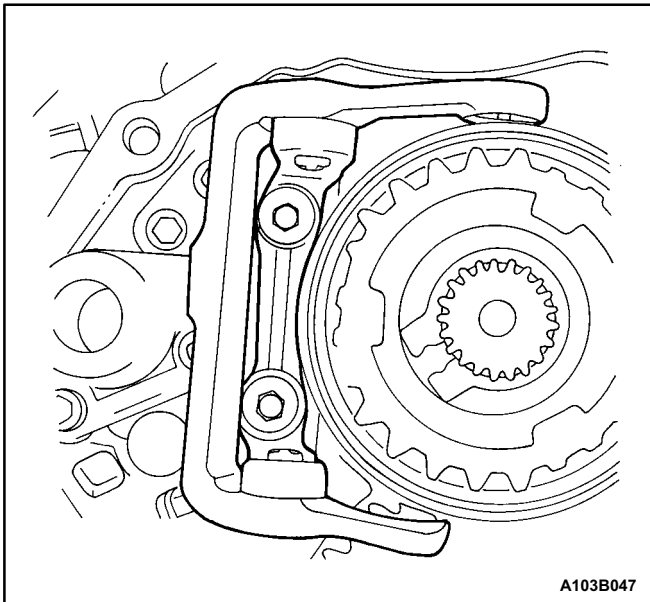


15. Remove the bearing plate from the case with the shafts attached.

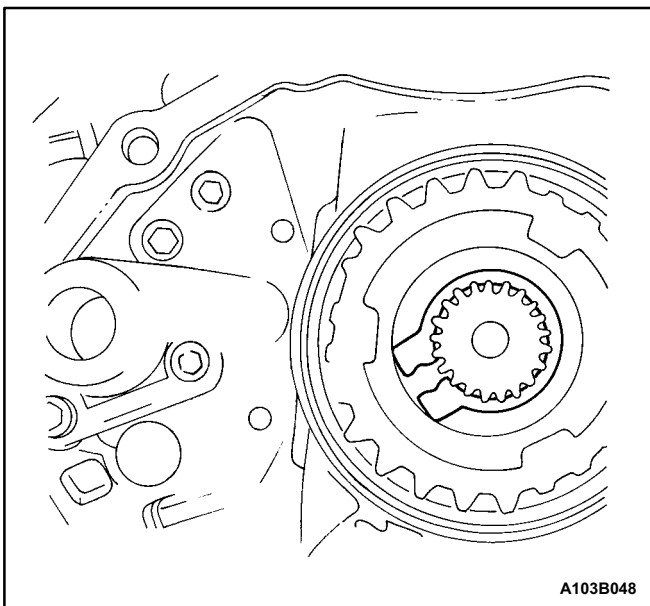




16. Shift the transaxle into reverse (R).
17. Bolt the bearing plate to the fixture KM-552 and install the fixture KM-552 into the base KM-113-2.

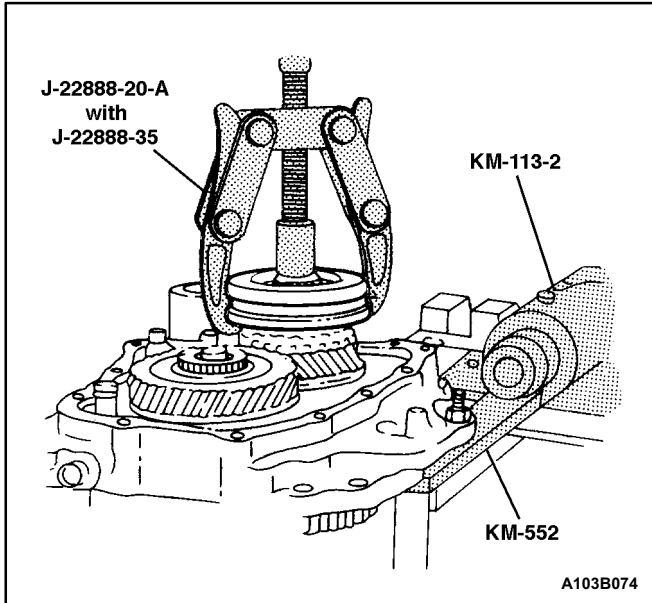


18. Remove the bolts and the fifth gear fork from the bearing plate.

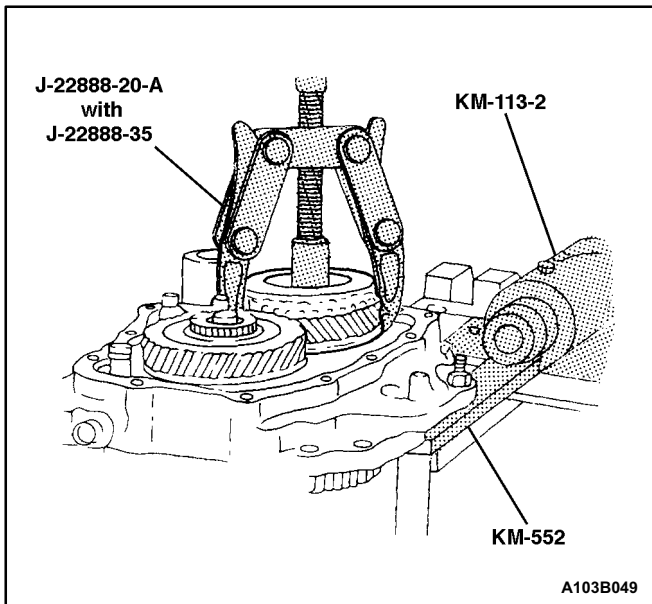


19. Remove the mainshaft driven fifth speed assembly snap ring.

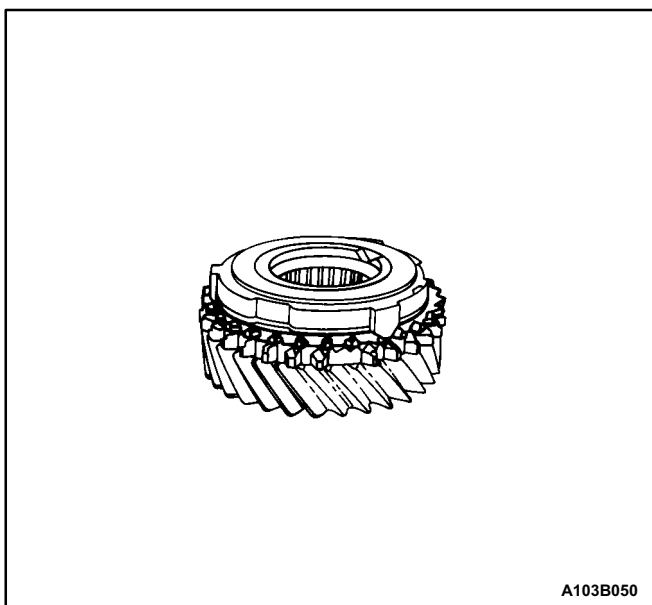
20. Remove the fifth driven gear synchronizer sleeve and the synchronizer gear using the bearing puller J-22888-20-A with the puller legs J-22888-35.

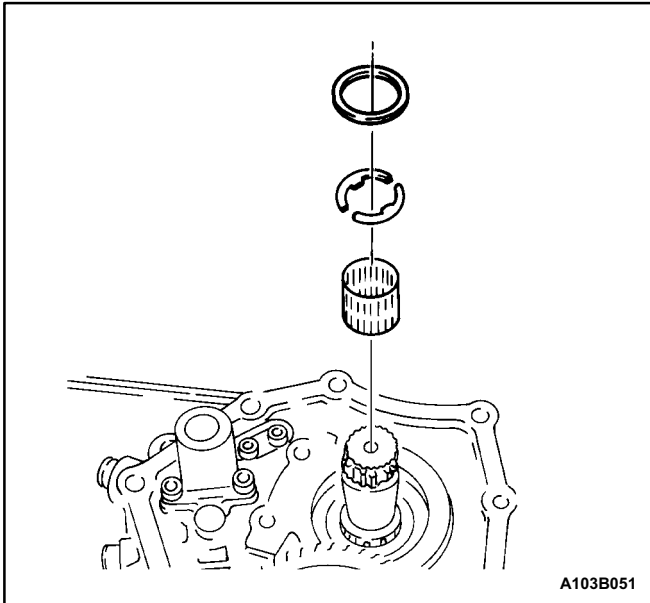


21. Remove the mainshaft driven fifth gear assembly.

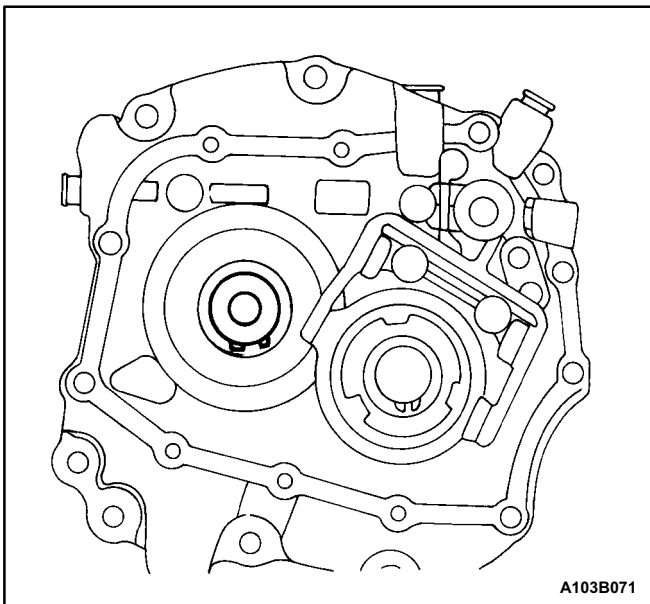


22. Remove the brass synchronizer ring.

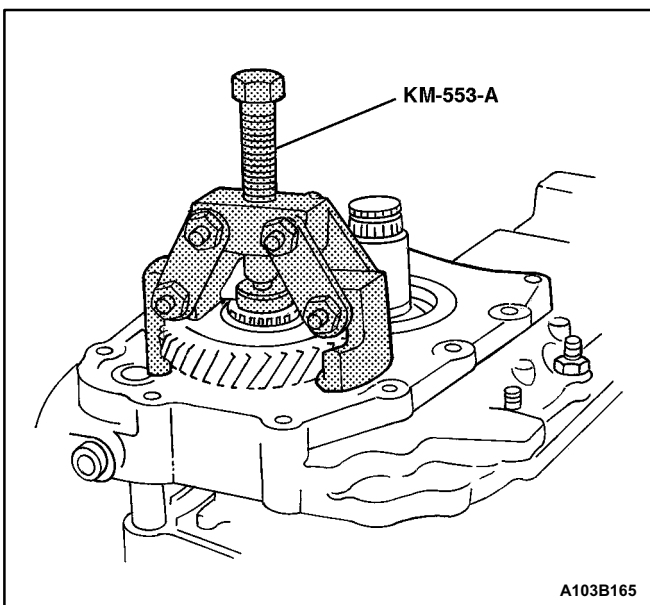




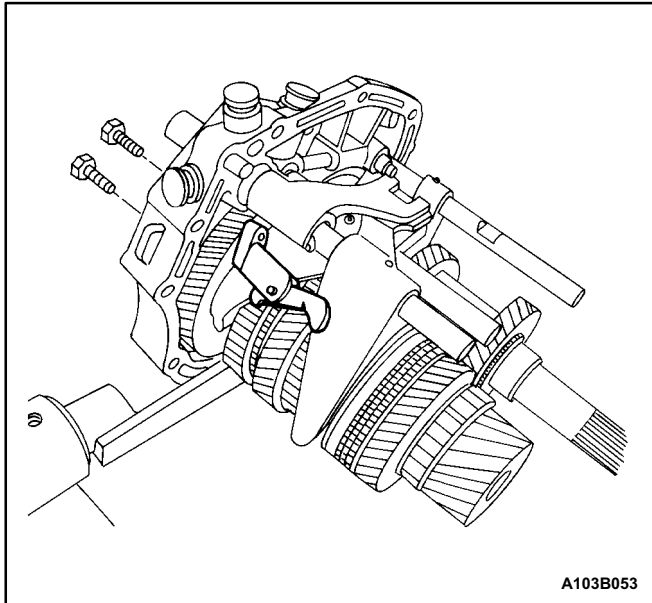
23. Remove the needle bearing, the retaining ring, and the thrust washers.



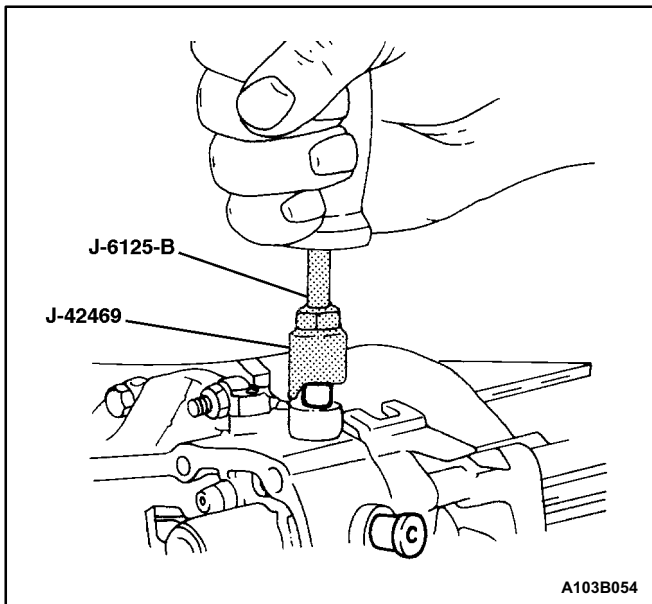
24. Remove the input drive fifth gear snap ring.



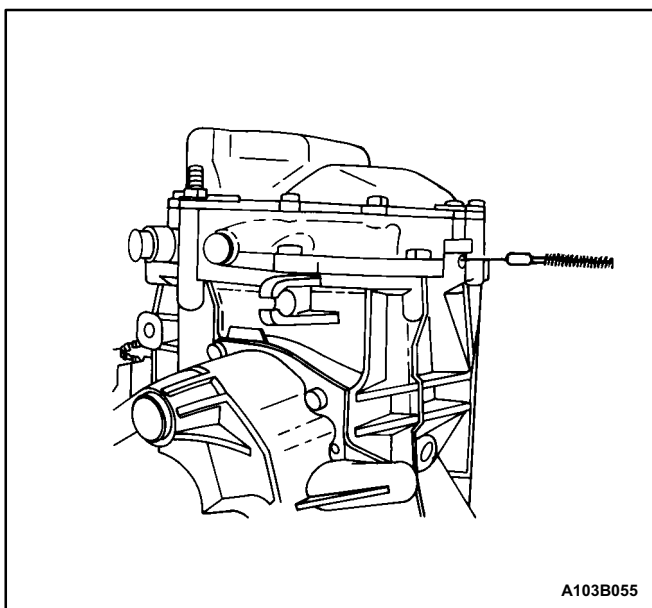
25. Remove the input drive fifth gear using the fifth gear puller KM 553 A.



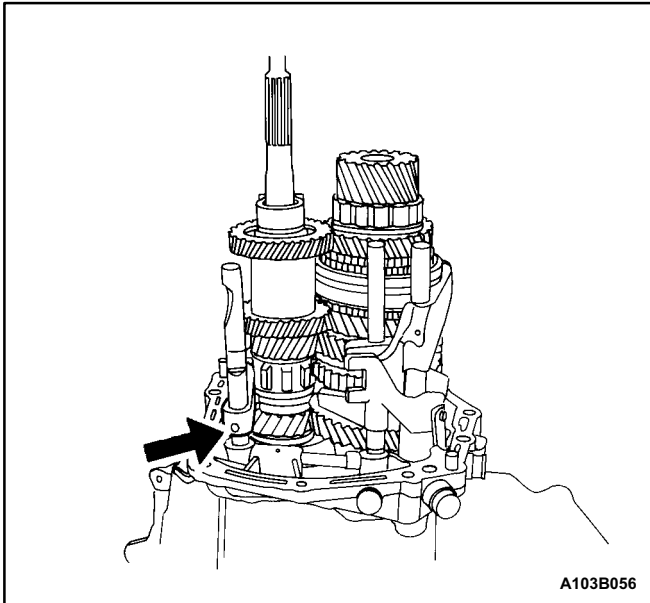
26. Remove the bolts and the fifth gearshift connector from the bearing plate using the pawl.



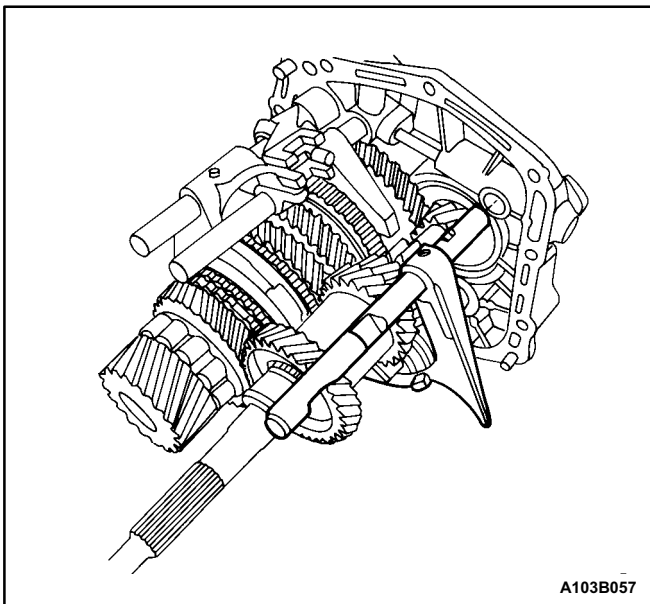
27. Remove the four shift rod plugs using the shift rod remover J 42469 and the slide hammer J-6125-B.



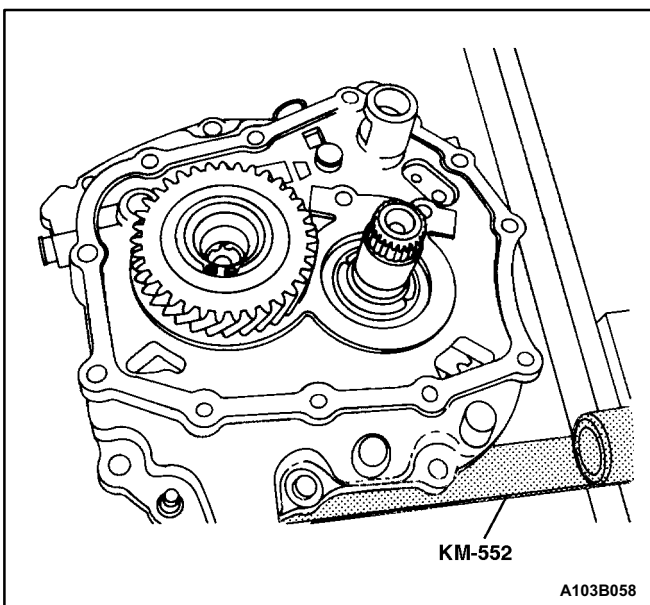
28. Remove the spring and the rod lock pin from the small plug hole.



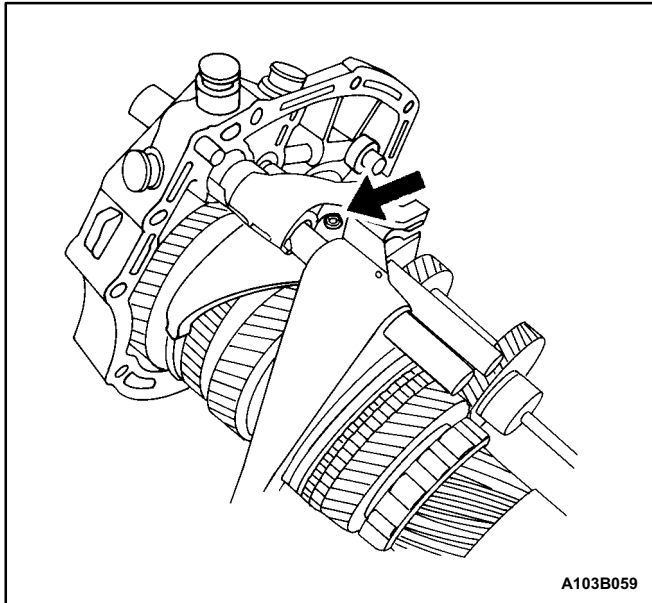
29. Remove the pin from the reverse gearshift rod/fork assembly.



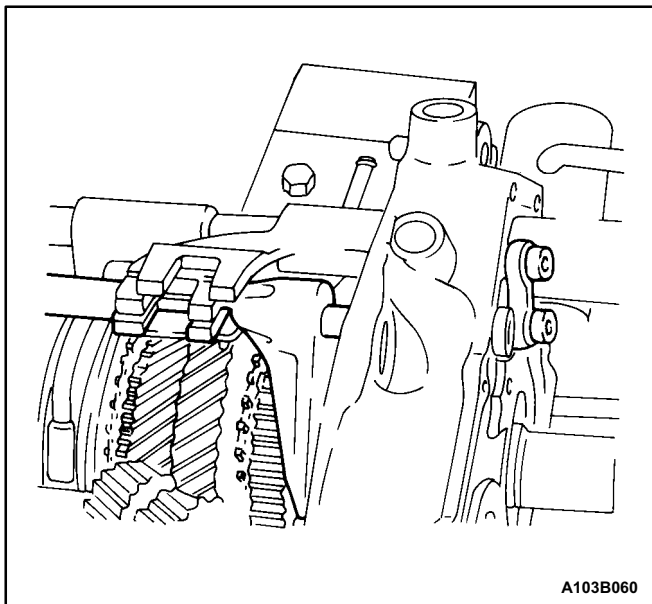
30. Remove the reverse gearshift rod/fork assembly from the bearing plate.



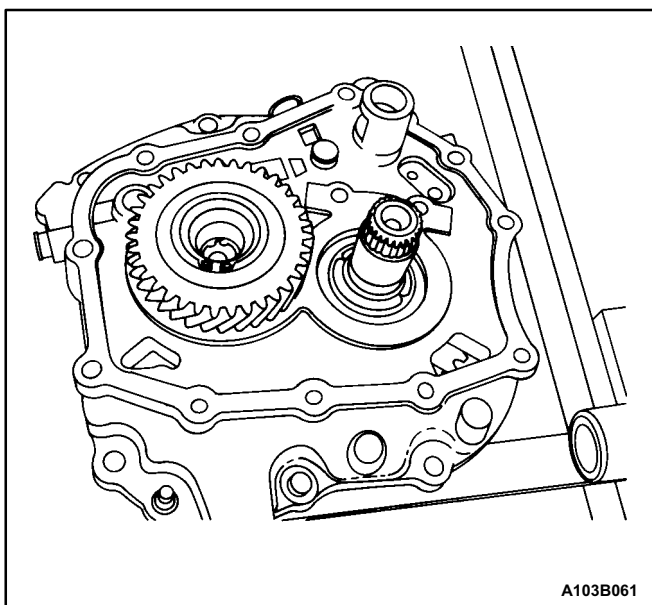
31. Remove the bolts from the support bracket.



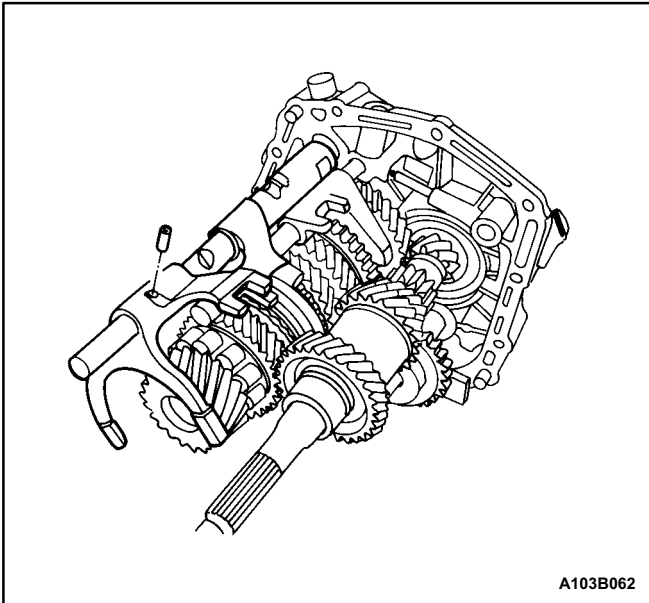
32. Remove the first second gearshift fork holding pin.



33. Drive the first second gearshift rod out until it is just free of the bearing plate.

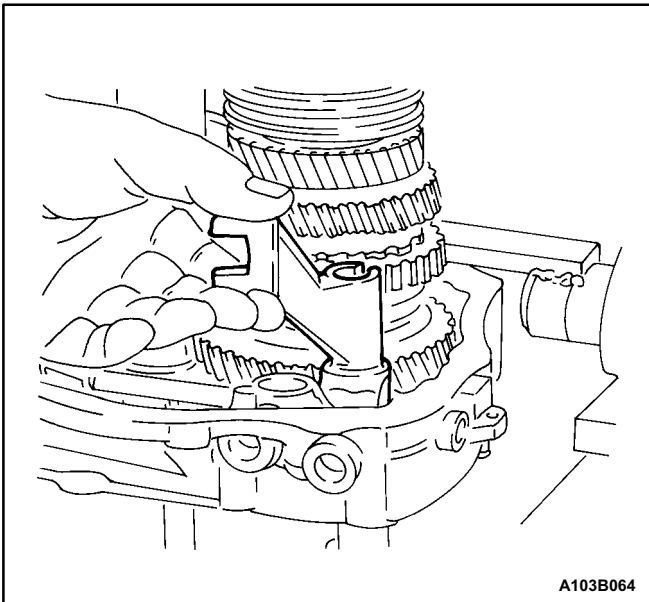


34. Remove the support bracket from the bearing plate.



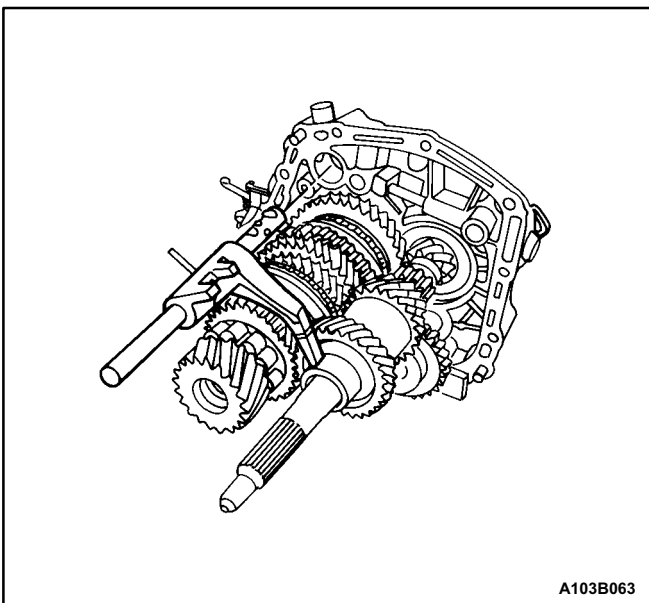
A103B062

35. Remove the third-fourth gearshift fork holding pin and the third-fourth gearshift rod.



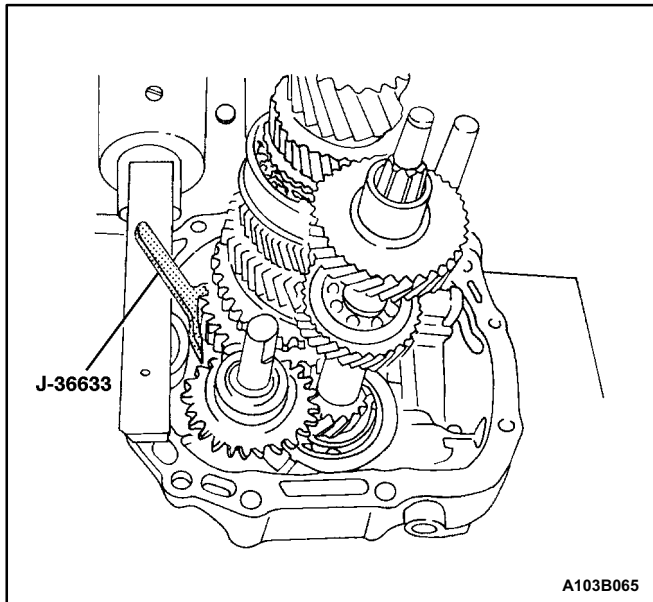
A103B064

36. Remove the fifth gearshift lever from the bearing plate.

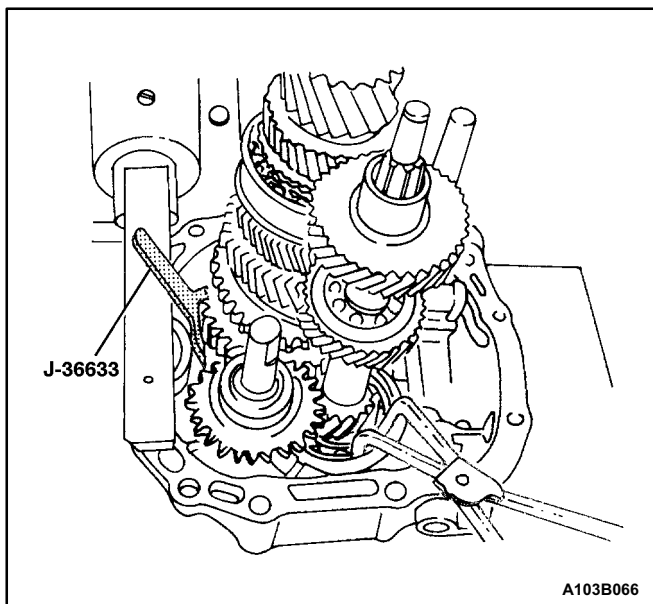


A103B063

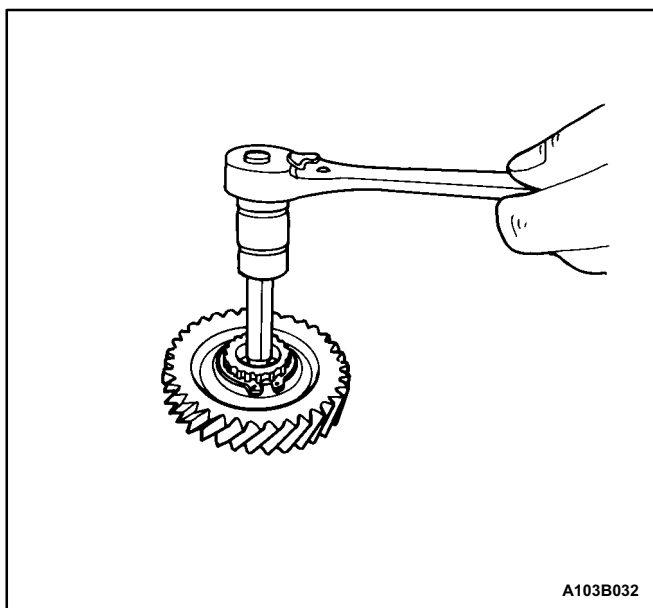
37. Remove the first-second gearshift rod.



38. Compress the snap ring that holds the mainshaft and secure it with the snap ring retainer J-36633.



39. Hold the snap ring open at the base of the input shaft using the snap ring pliers.
40. Remove the mainshaft assembly and the input shaft assembly from the bearing plate.



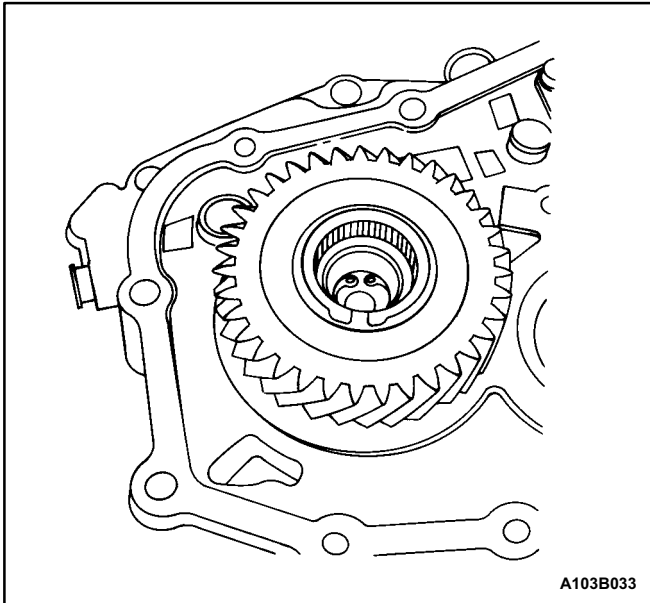
INPUT SHAFT AND CLUSTER GEAR

Tools Required

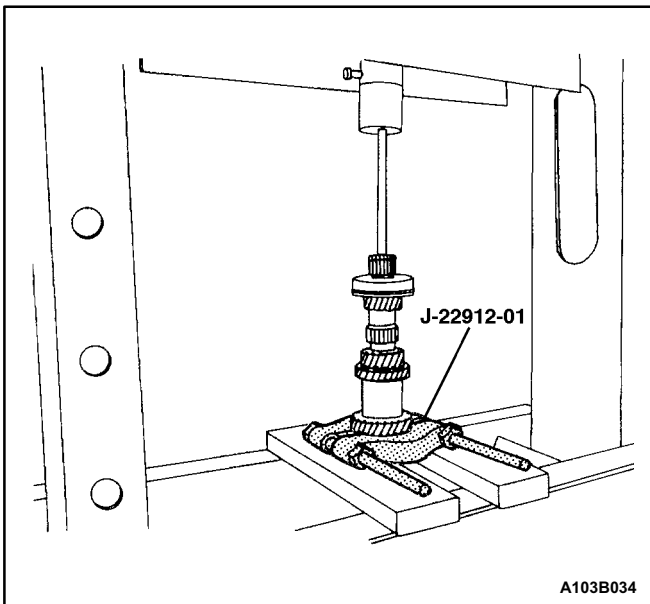
J-22912-01 Universal Bearing Puller

Disassembly Procedure

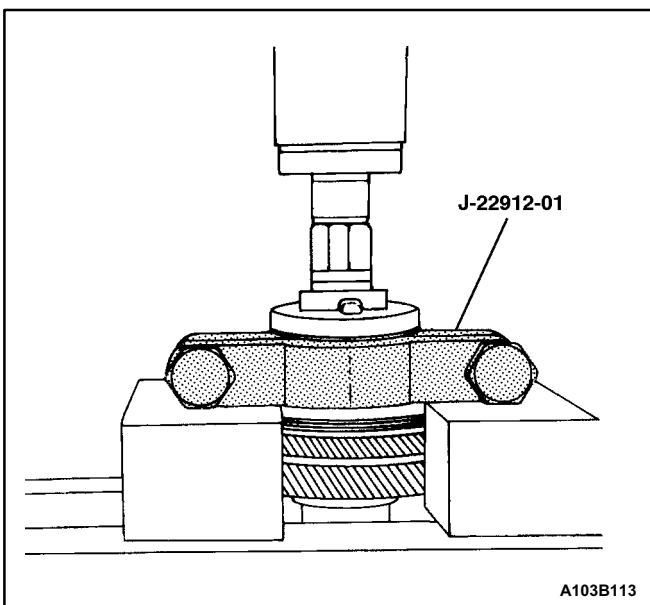
1. Remove the detent screw at the end of the input driveshaft.



2. Remove the snap ring at the base of the gear cluster.



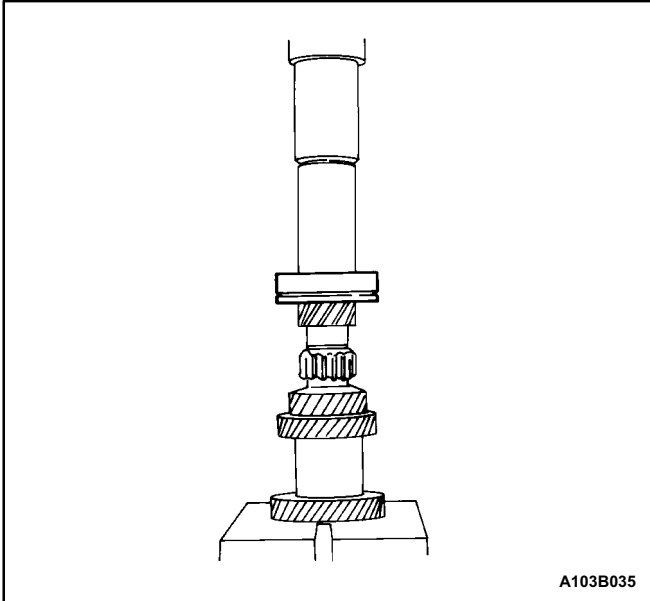
3. Press the input driveshaft from the input shaft cluster gear using the universal bearing puller J-22912-01.



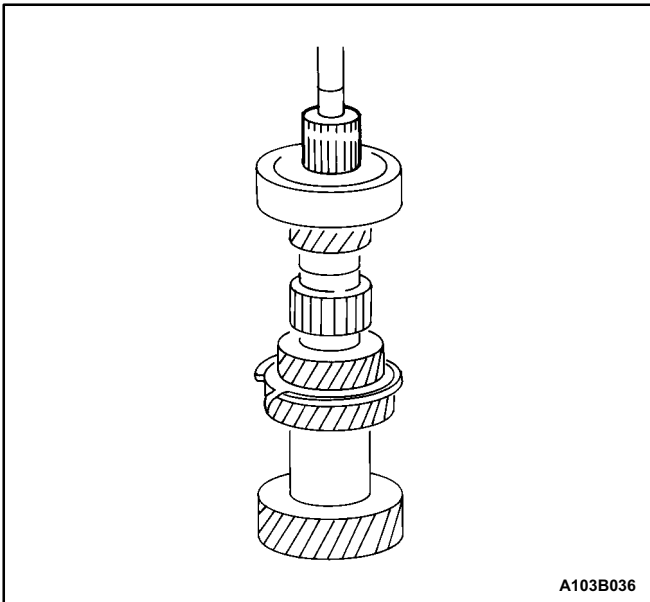
4. Remove the cluster shaft bearing from the input shaft gear cluster using universal bearing puller J-22912-01.

Assembly Procedure

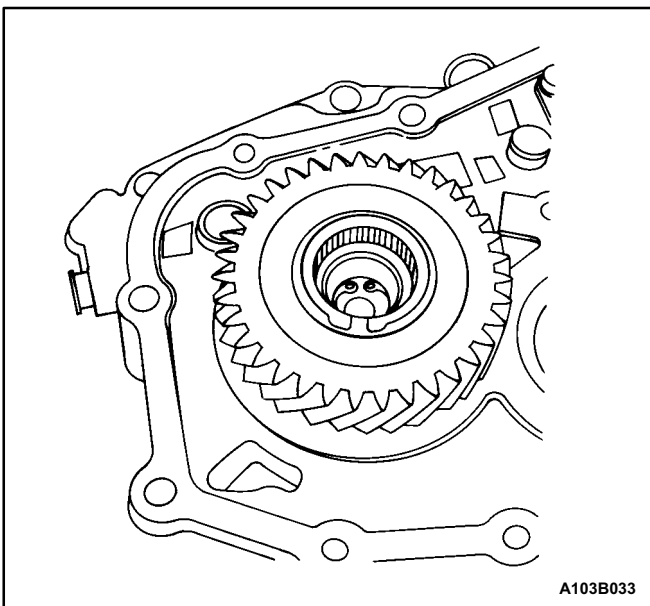
1. Press the cluster shaft bearing onto the input shaft gear cluster.

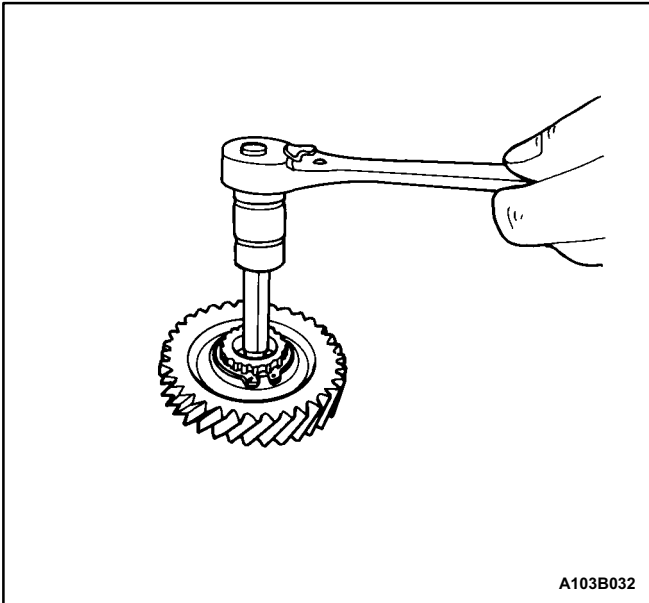


2. Press the input driveshaft into the input shaft gear cluster assembly.



3. Install the snap ring at the base of the gear cluster.

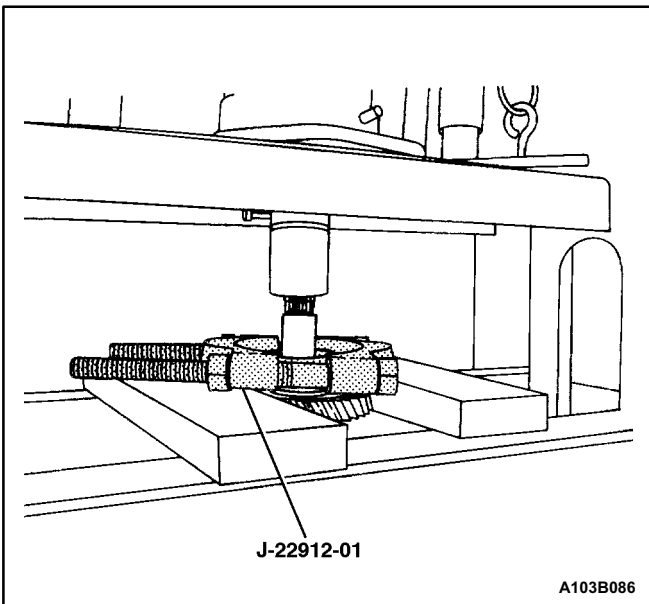




4. Install the detent screw at the end of the input driveshaft.

Tighten

Tighten the input driveshaft detent screw to 15 N•m (11 lb•ft).



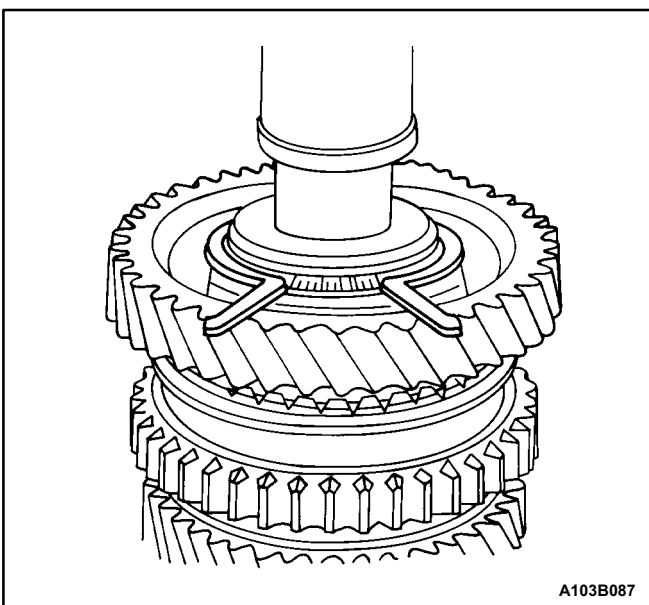
MAINSHAFT

Tools Required

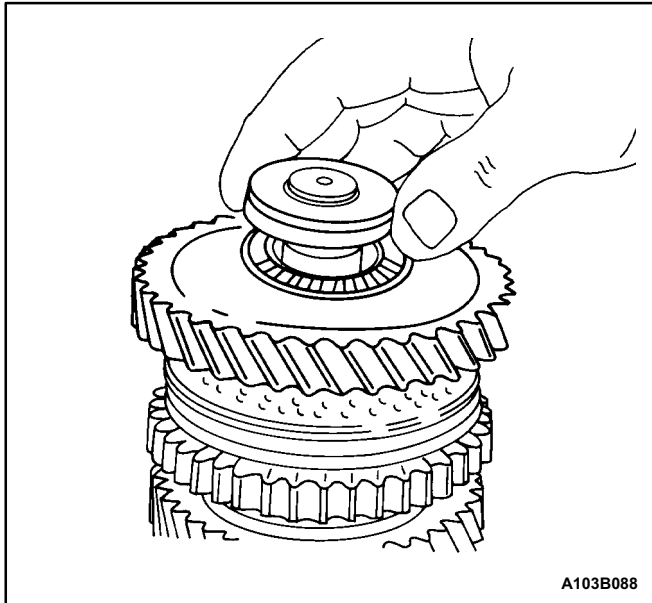
J-22912-01 Universal Bearing Puller

Disassembly Procedure

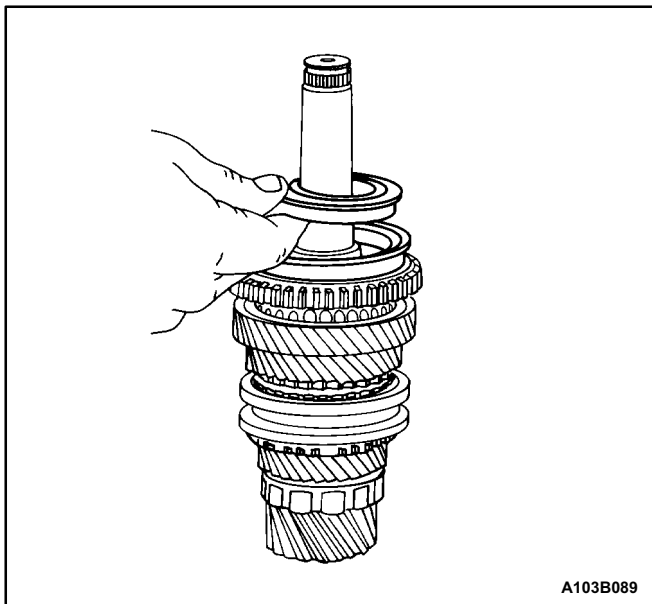
1. Remove the mainshaft bearing using the universal bearing puller J-22912-01.



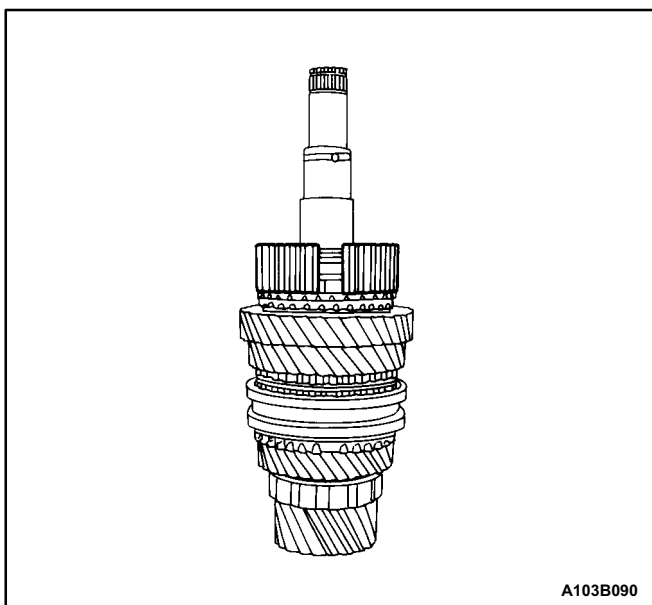
2. Remove the snap ring.



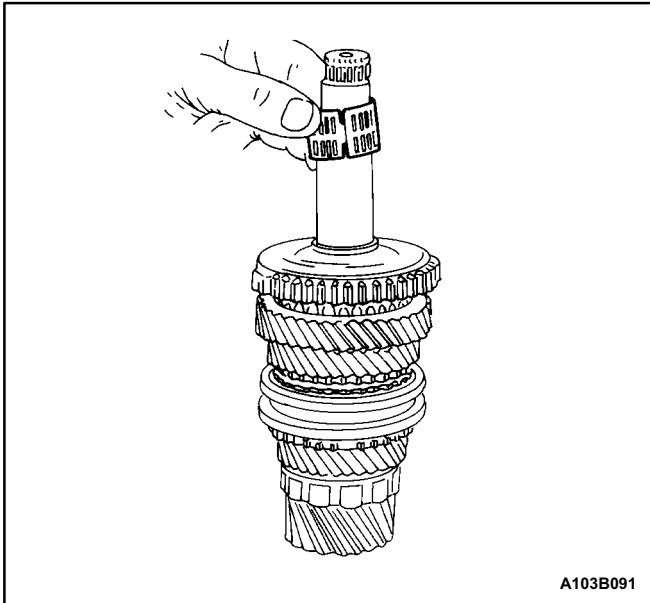
3. Remove the first gear, the flat type first gear needle bearing, and the mainshaft wear plate.



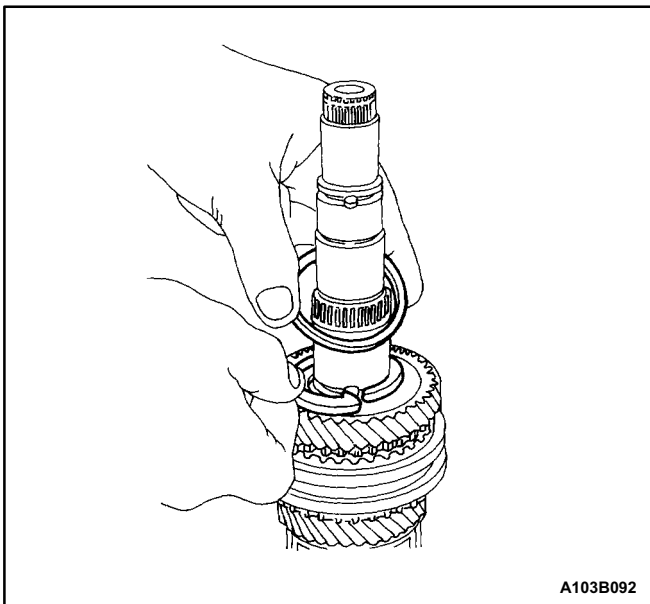
4. Remove the synchronizer hub sleeve that contains the synchronizer spring.
5. Remove the outer blocking ring.



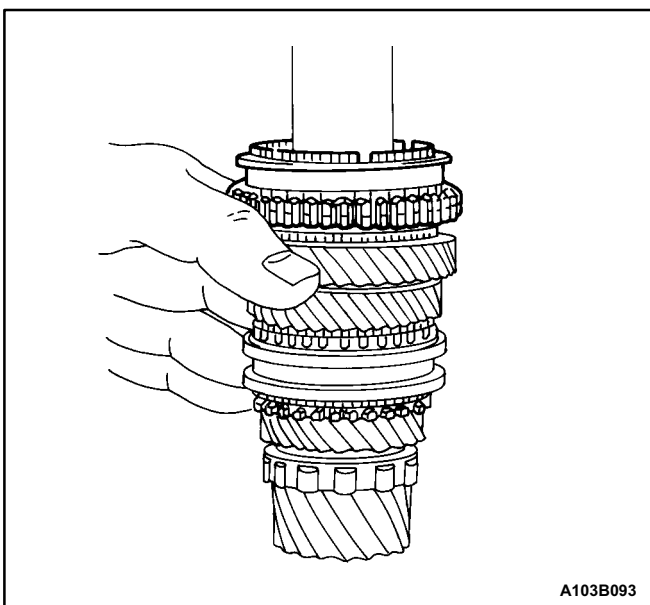
6. Remove the keys from the first-second synchronizer gear.



7. Remove the barreltype first gear needle bearing.

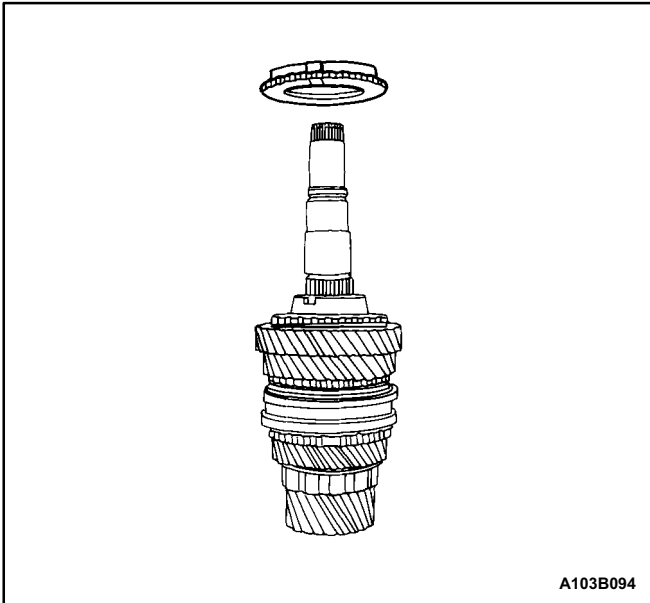


8. Remove the snap ring and the washer.

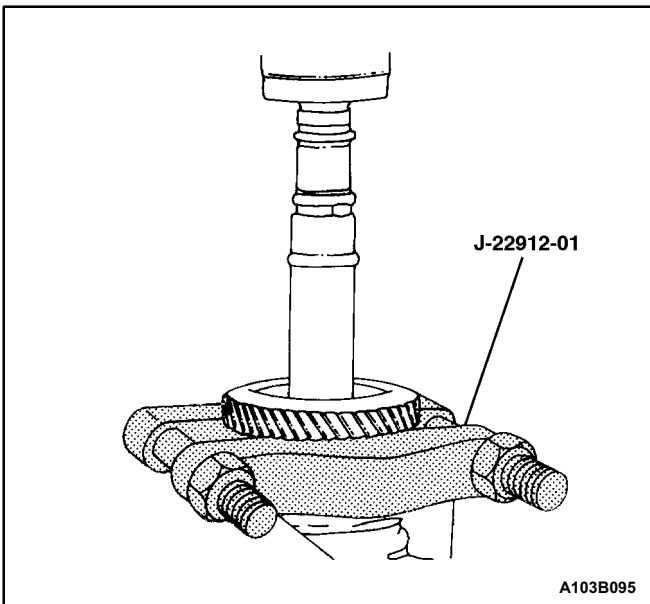


9. Remove the first-second synchronizer gear from the mainshaft.

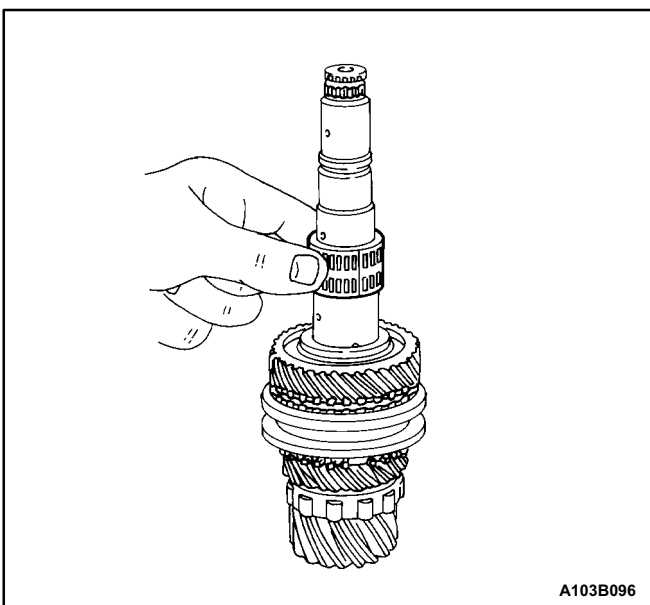
10. Remove the first/second gear blocking ring.

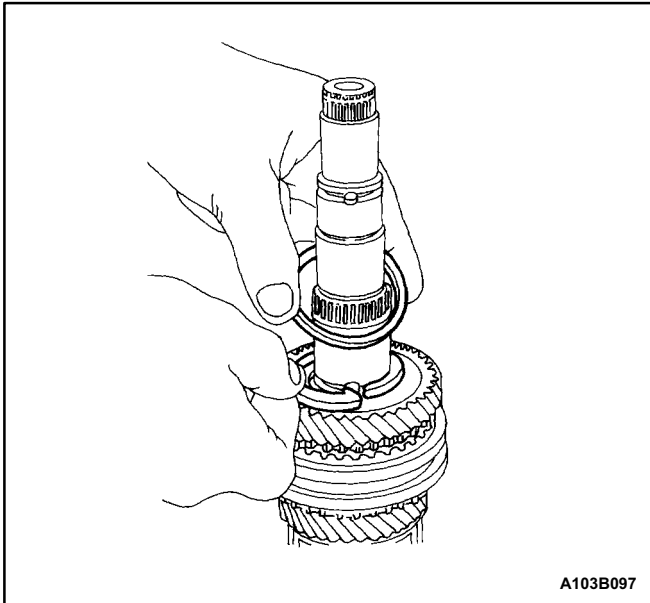


11. Remove the second gear using the universal bearing puller J-22912-01.

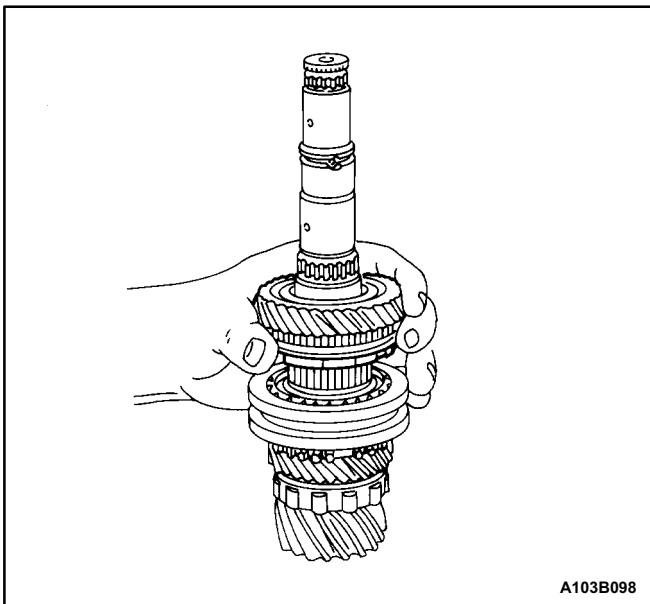


12. Remove the second gear needle bearing.

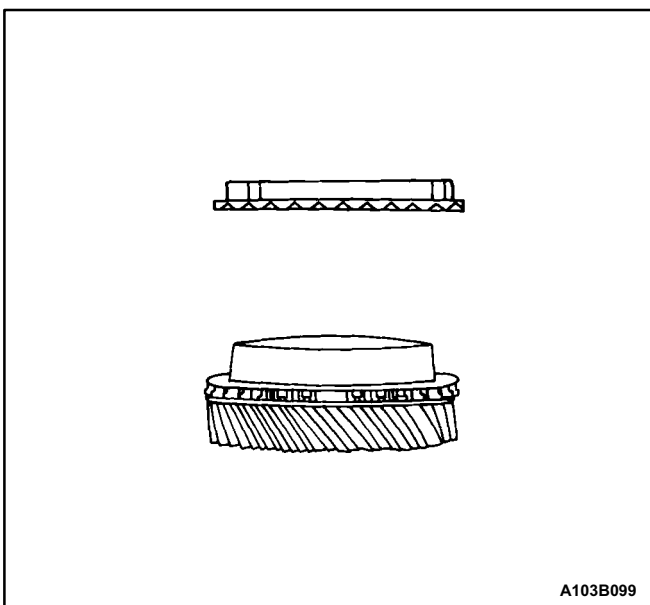




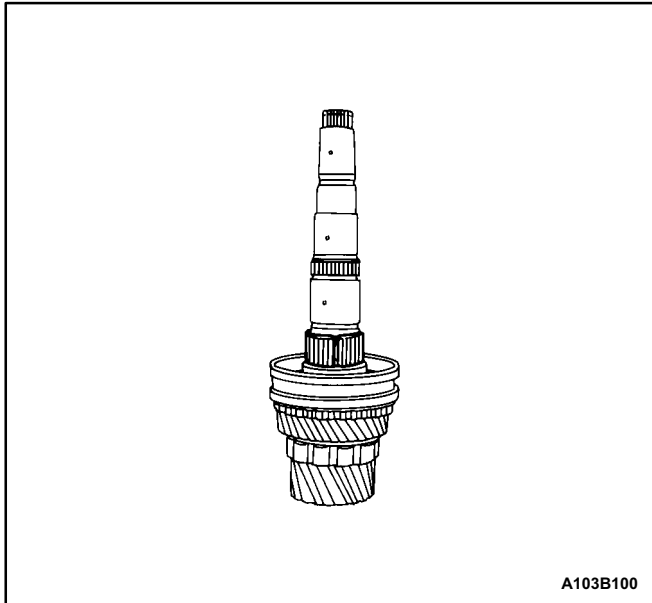
13. Remove the ring and the thrust washer.



14. Remove the third gear and the synchronizer blocking ring.

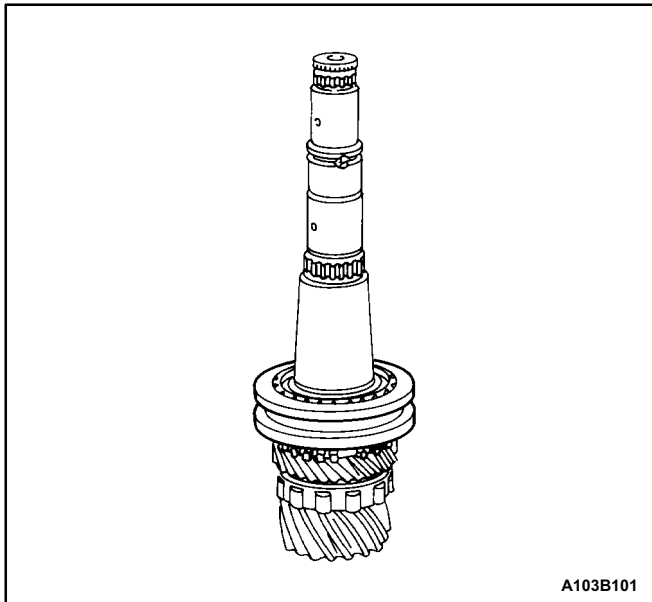


15. Separate the synchronizer blocking ring from the third gear.



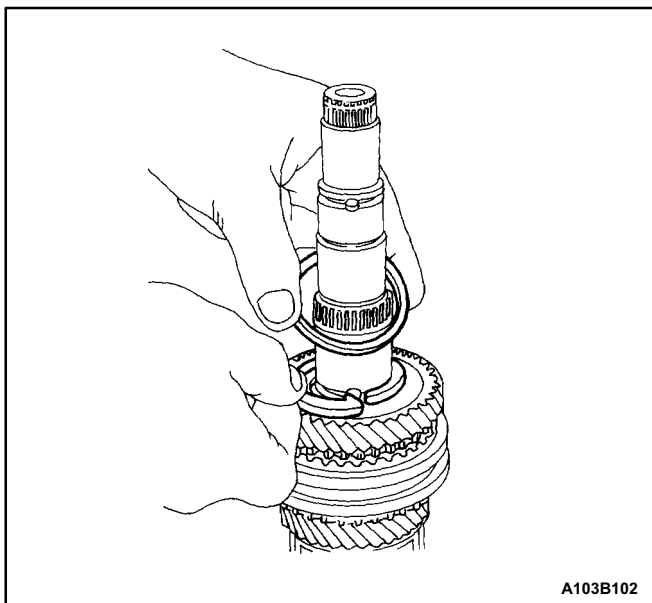
A103B100

16. Remove the third gear needle bearing from the mainshaft.



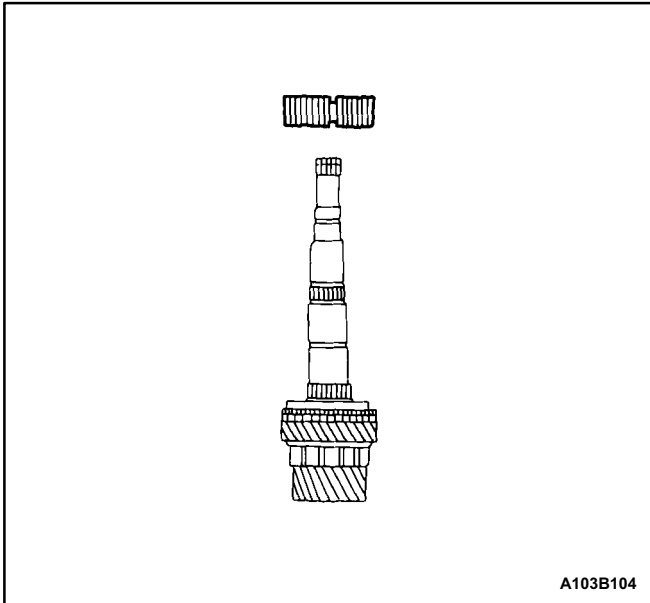
A103B101

17. Remove the synchronizer sleeve that contains the keys and the spring.

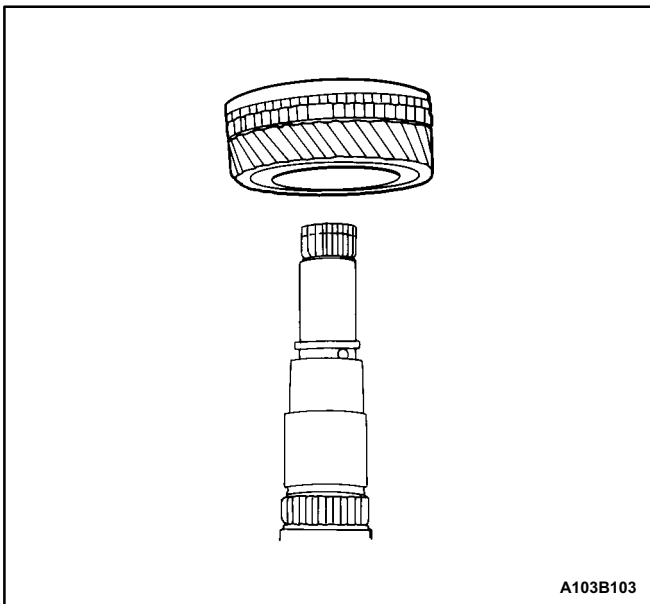


A103B102

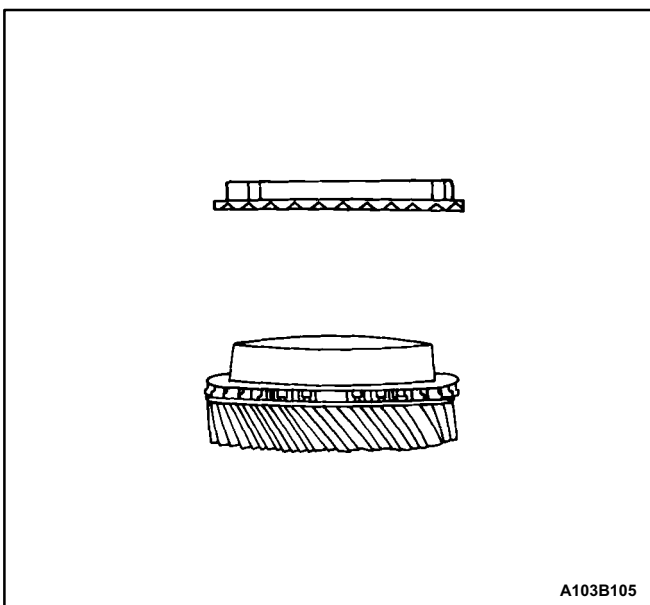
18. Remove the snap ring and the washer from the mainshaft.



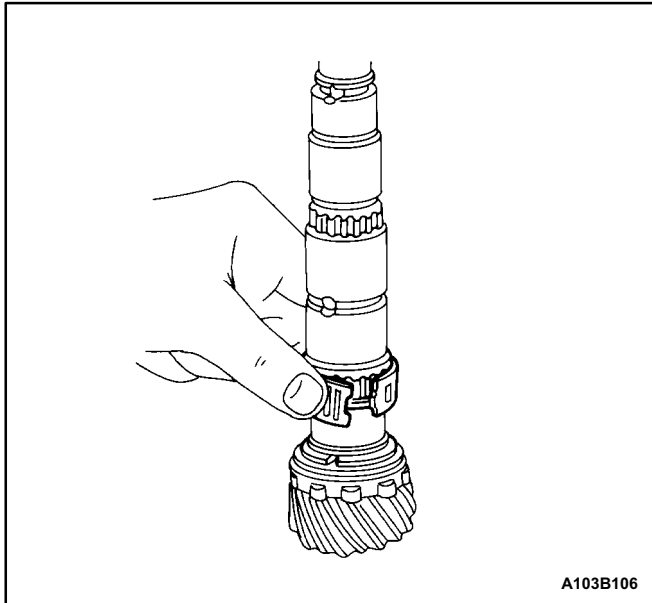
19. Remove the third-fourth synchronizer gear that contains the synchronizer spring.



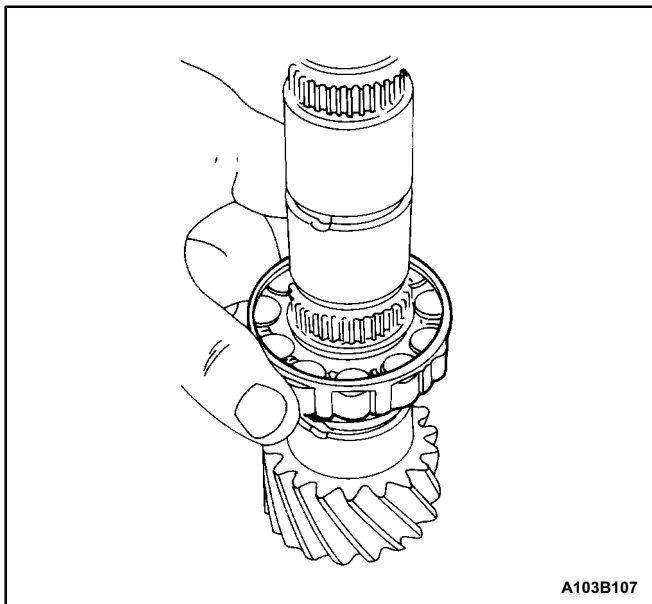
20. Remove the fourth gear assembly.



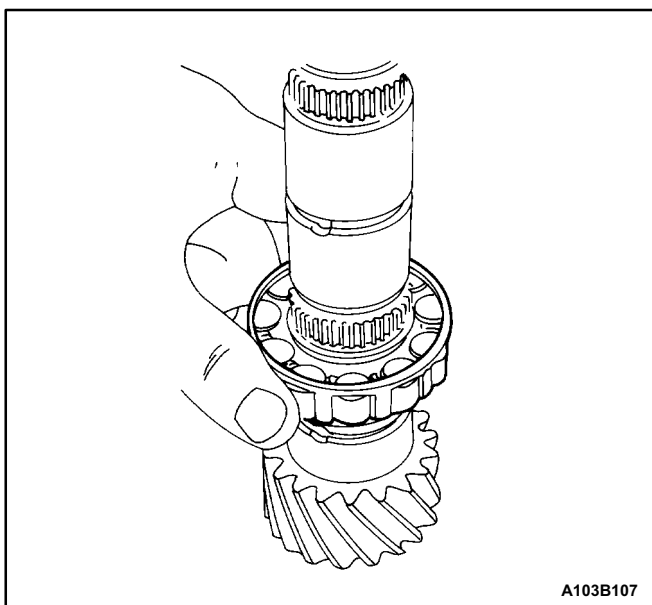
21. Separate the synchronizer blocking ring from the fourth gear.



22. Remove the fourth gear needle bearing, the ring, and the thrust washer.

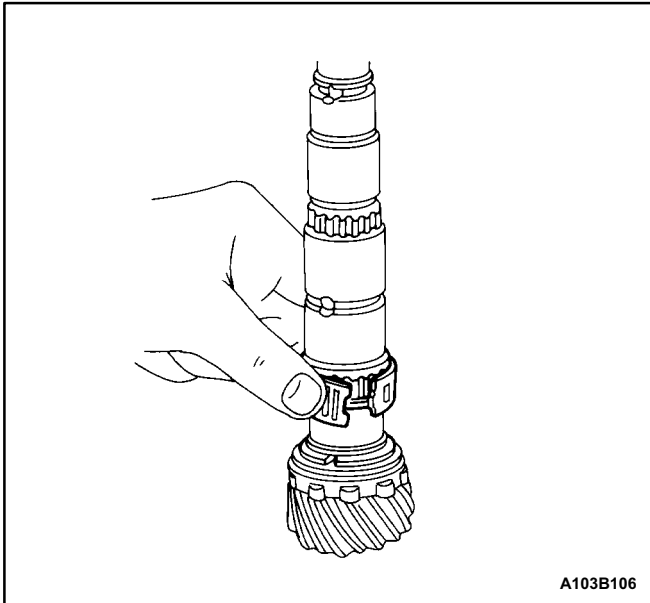


23. Remove the mainshaft bearing.



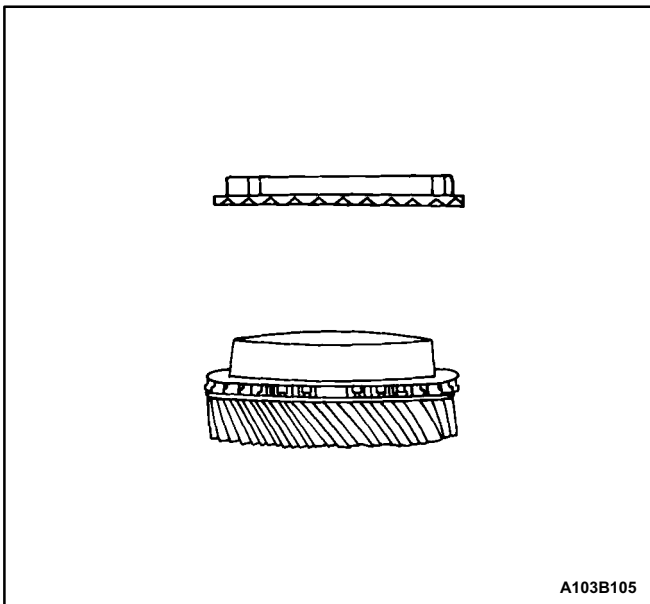
Assembly Procedure

1. Install the mainshaft bearing.



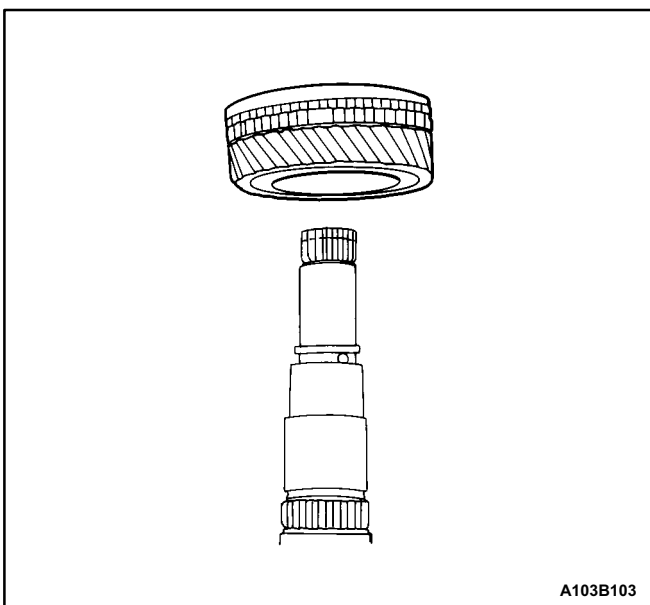
A103B106

2. Install the ring, the thrust washer, and the fourth gear needle bearing.



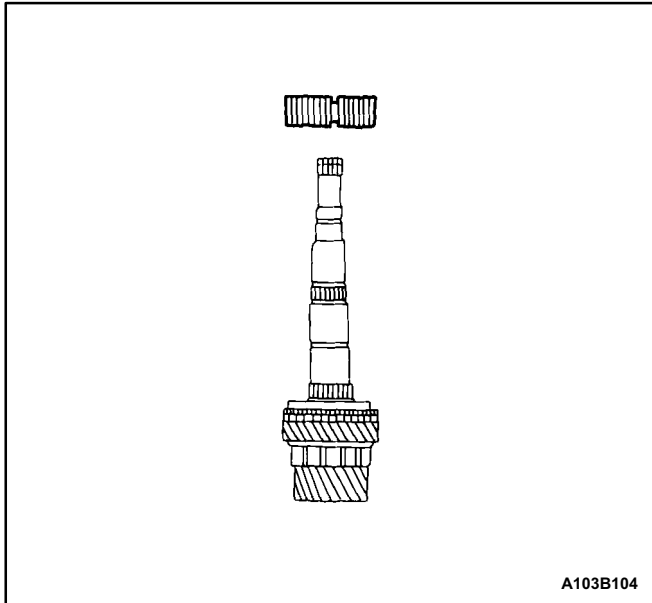
A103B105

3. Attach the synchronizer blocking ring to the fourth gear.

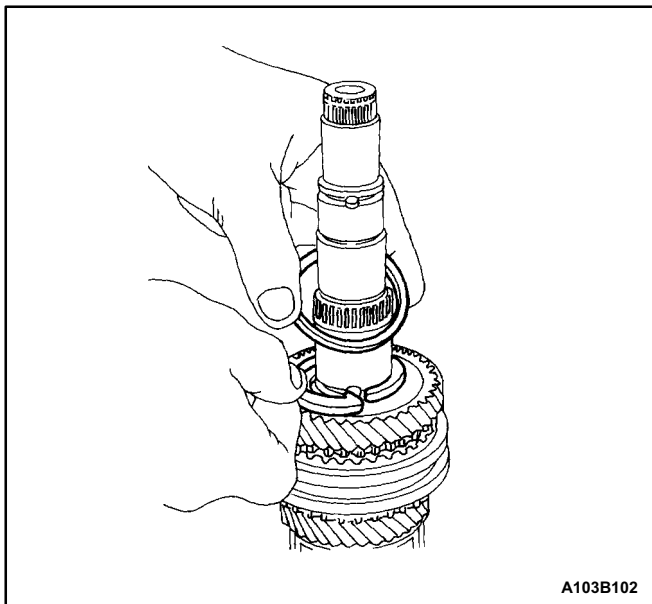


A103B103

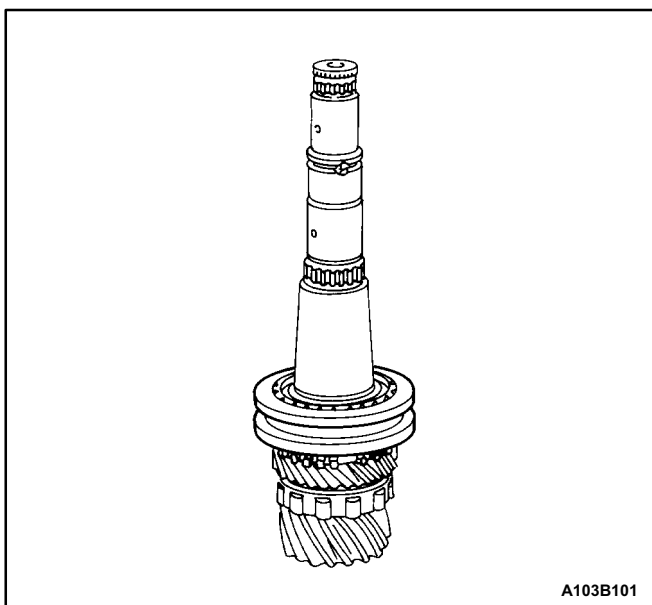
4. Install the fourth gear assembly.



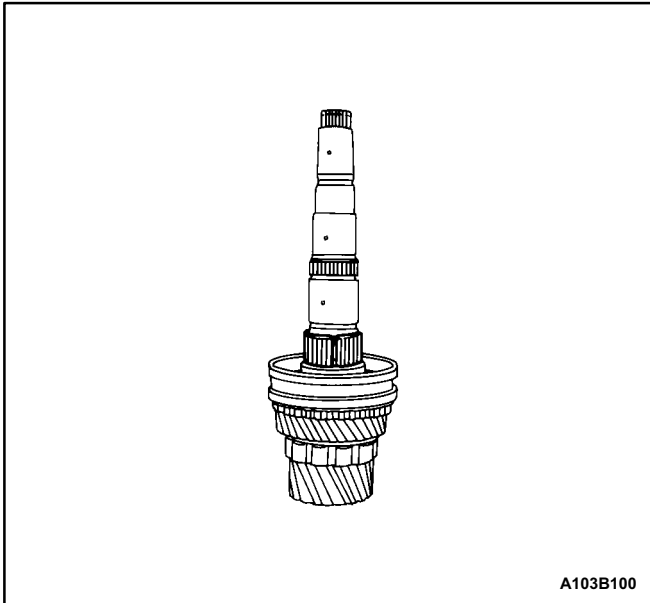
5. Install the third-fourth gear synchronizer that contains the synchronizer spring.



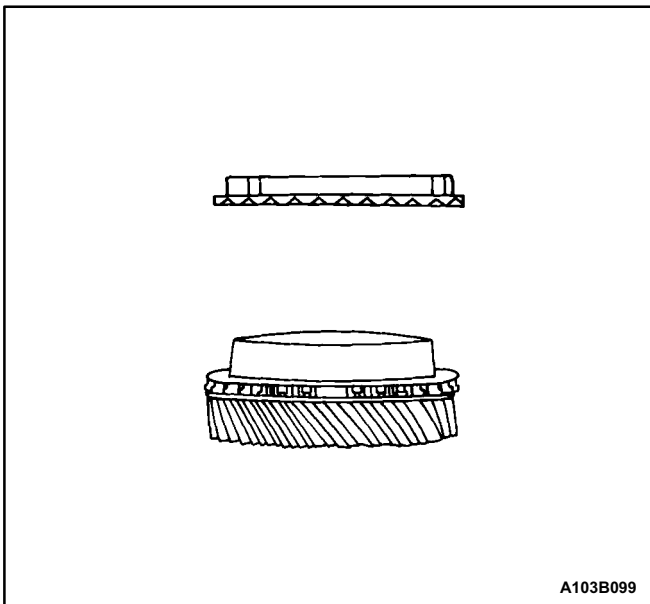
6. Install the snap ring and the washer around the mainshaft.



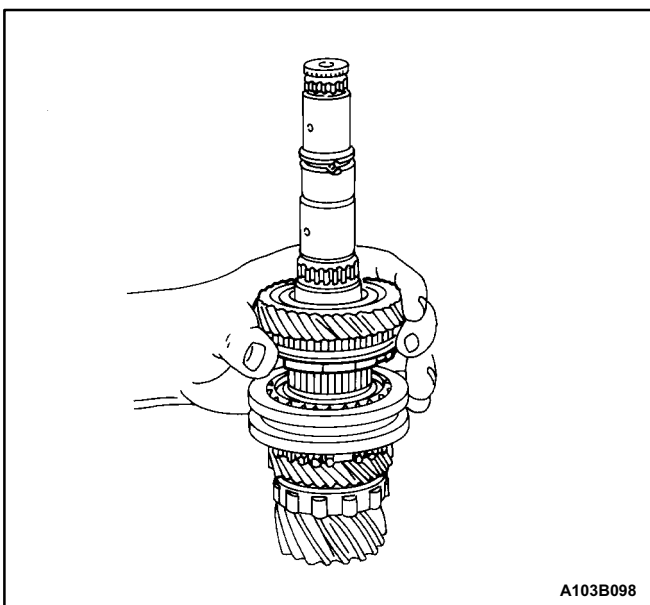
7. Install the synchronizer sleeve that contains the keys and the spring.



8. Install the third gear needle bearing.

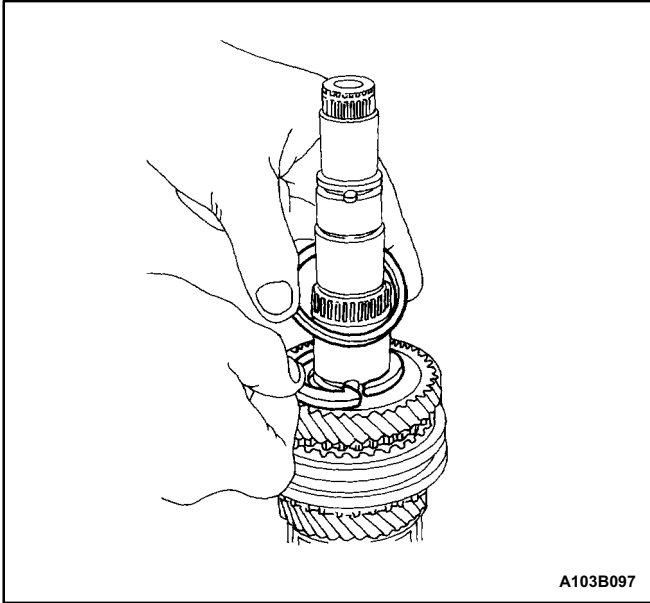


9. Attach the synchronizer blocking ring to the third gear.

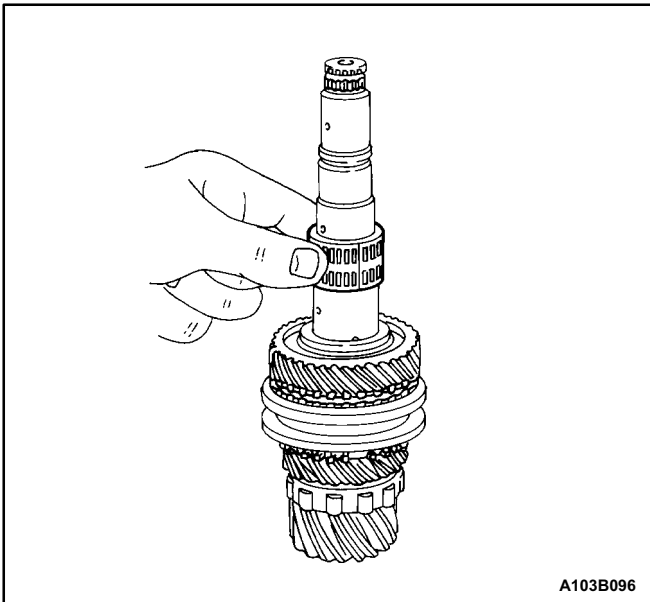


10. Install the third gear assembly.

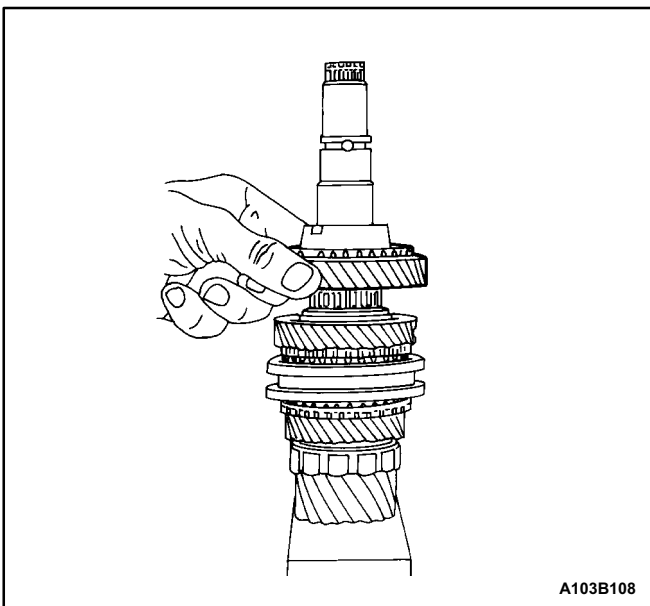
11. Install the thrust washer and the ring.

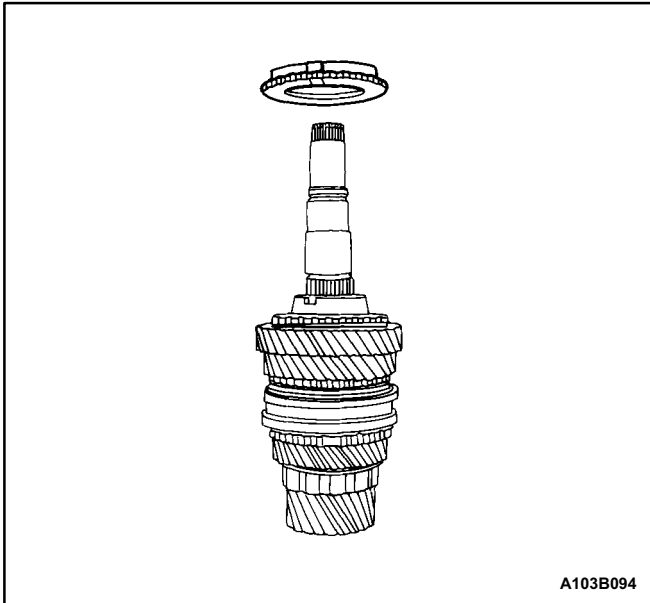


12. Install the second gear needle bearing.



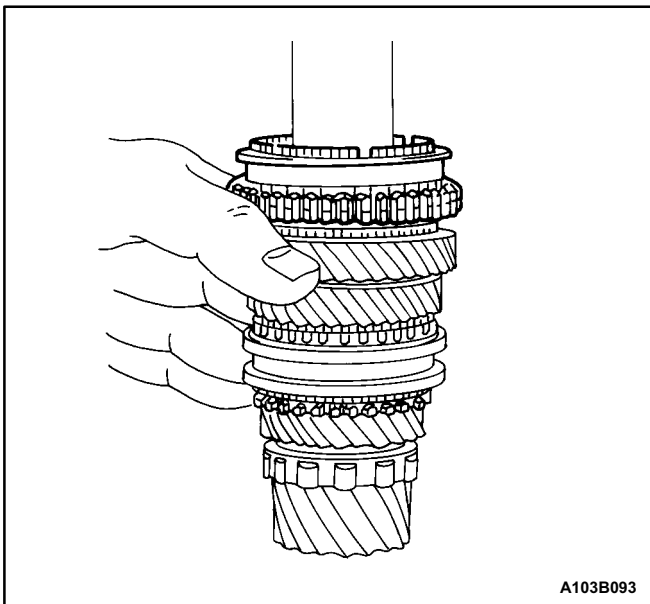
13. Install the second gear.





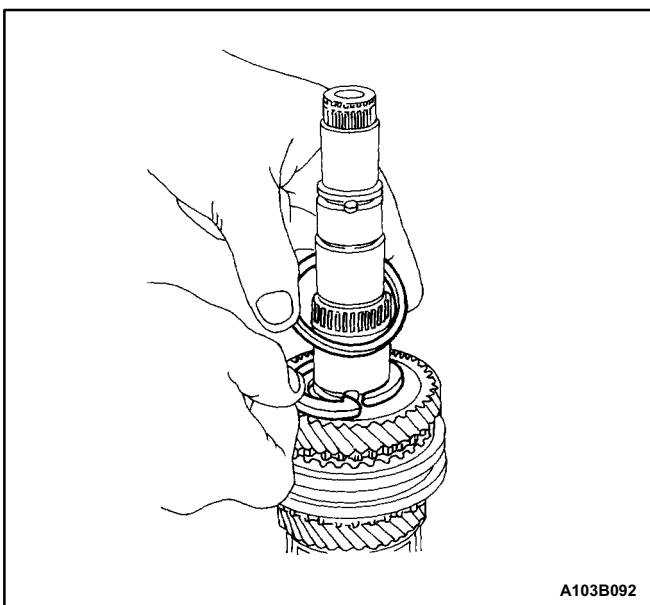
A103B094

14. Install the firstsecond gear blocking ring.



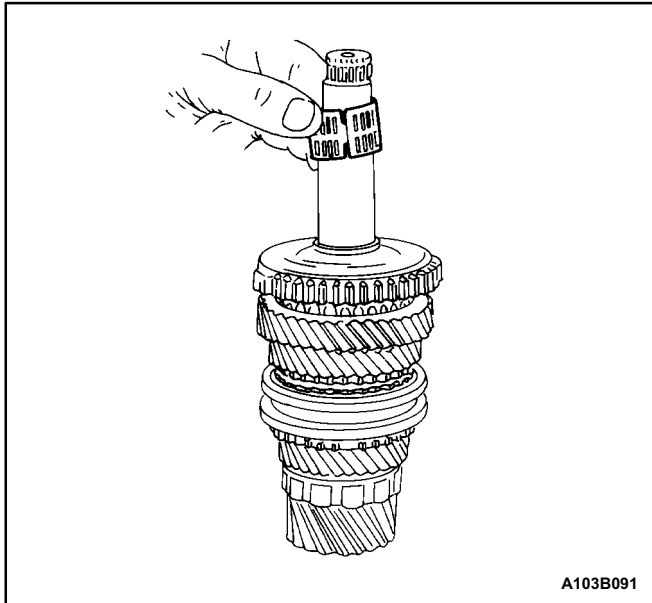
A103B093

15. Install the first second synchronizer gear.

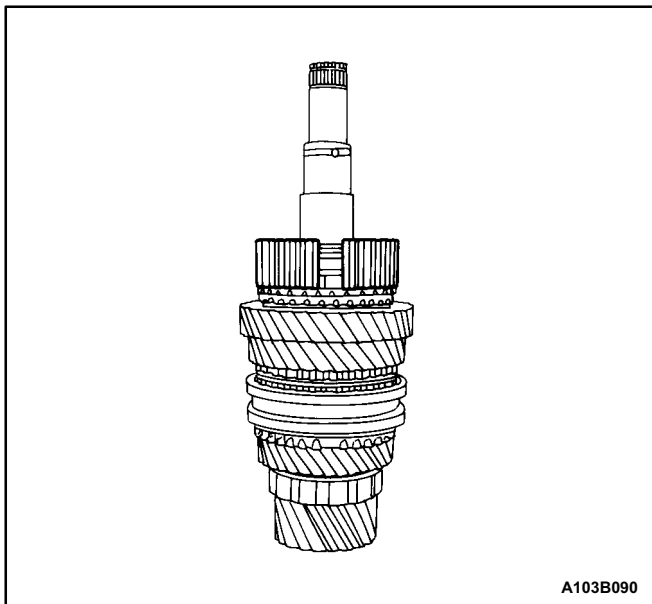


A103B092

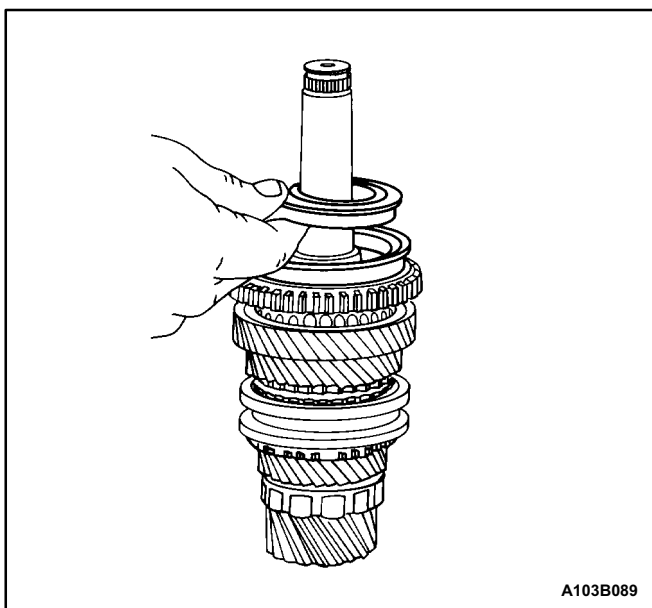
16. Install the washer and the snap ring.



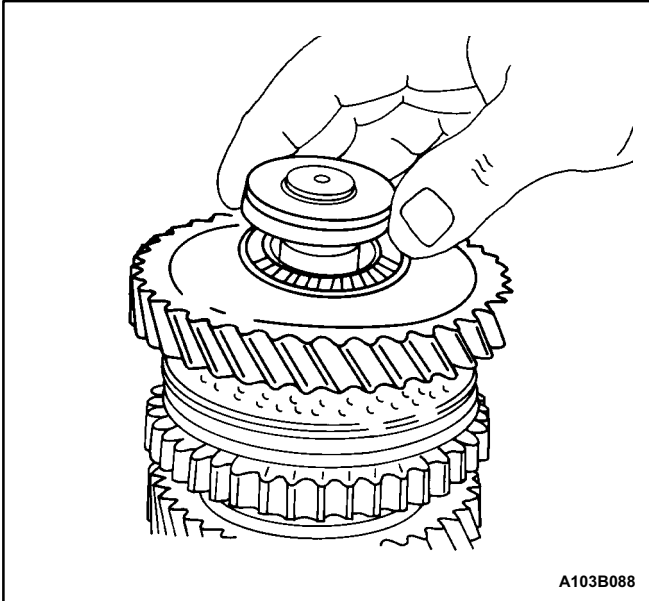
17. Install the first gear needle bearing.



18. Install the keys onto the first-second synchronizer gear.

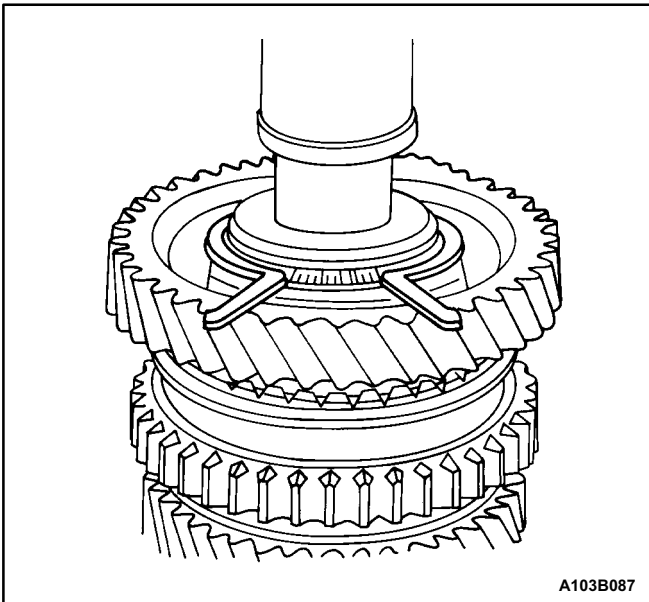


19. Install the synchronizer hub sleeve containing the synchronizer spring.



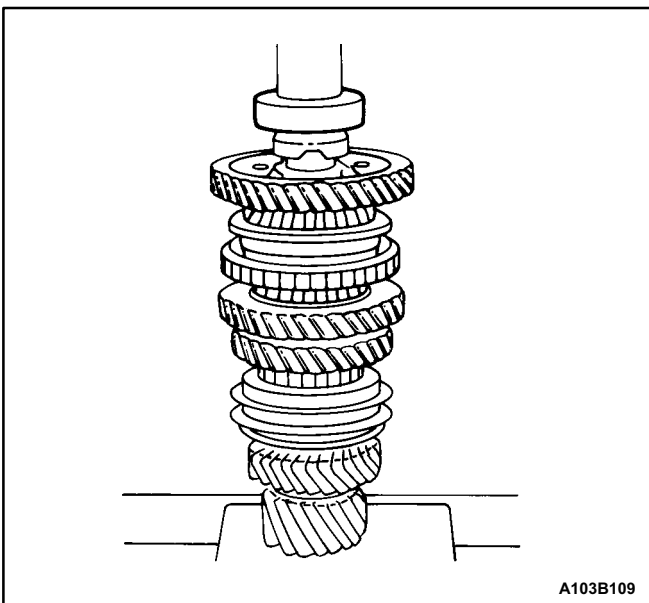
A103B088

20. Install the outer blocking ring.
21. Install the mainshaft wear plate, the flat type firstgear needle bearing, and the first gear.



A103B087

22. Install the snap ring.



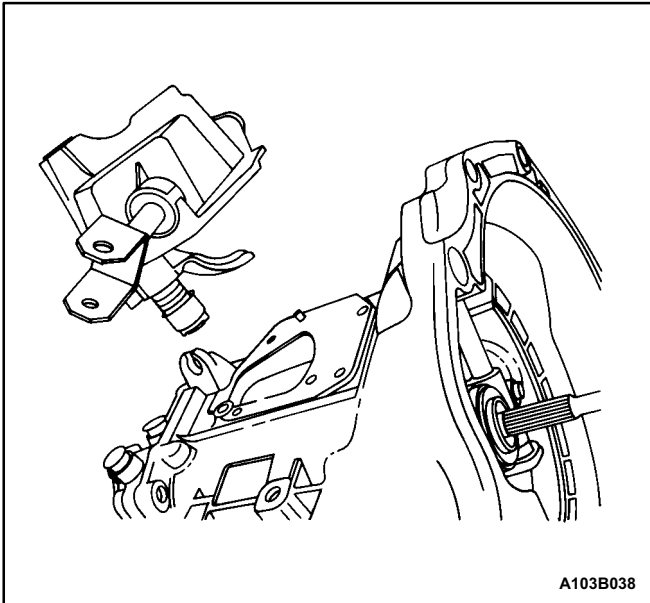
A103B109

23. Press on the mainshaft bearing.

HOUSING CASE

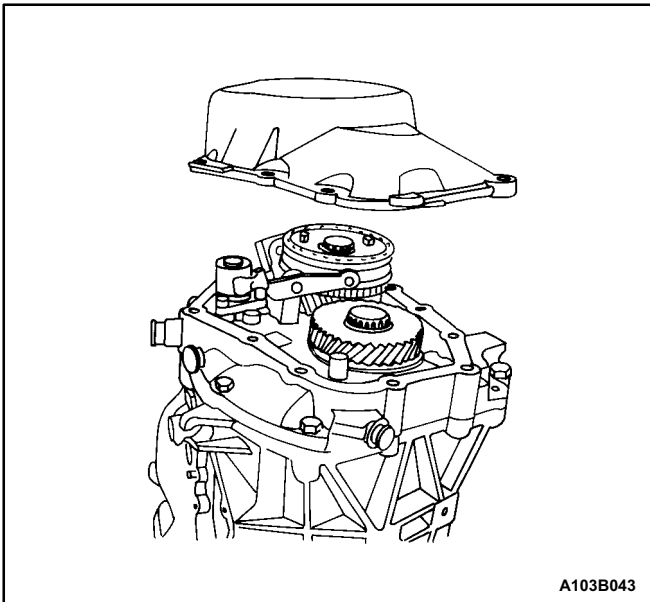
Disassembly Procedure

1. Remove the transaxle from the vehicle. Refer to „Transaxle Assembly” in this section.
2. Remove the shift lever cover bolts and the shift lever cover. Do not disassemble the shift lever cover.



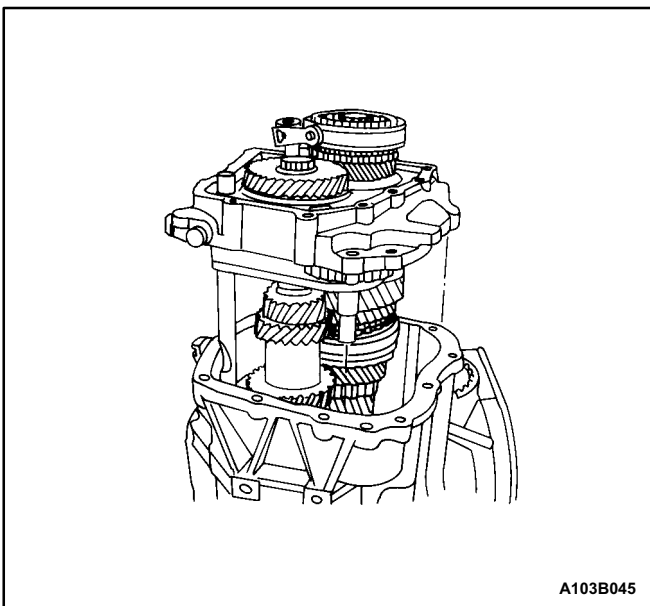
A103B038

3. Remove the transaxle cover bolts and the transaxle cover.

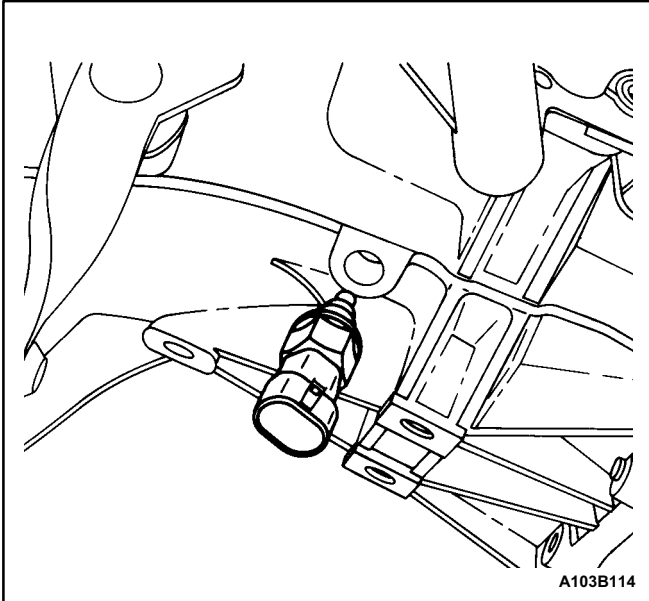


A103B043

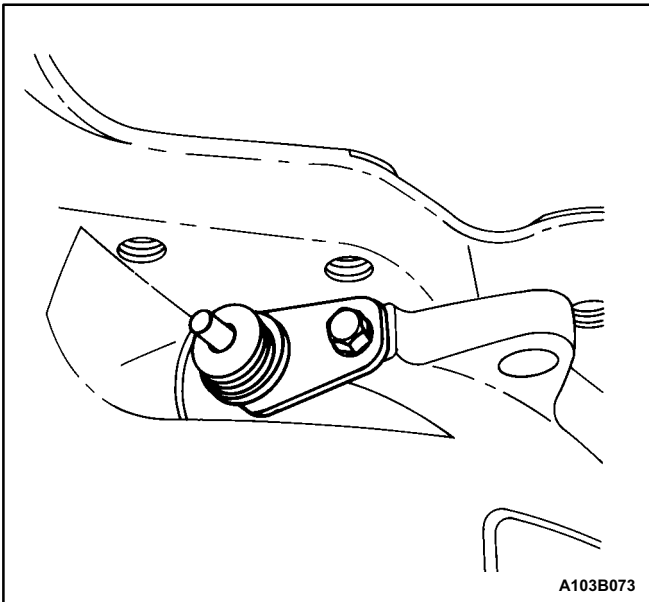
4. Remove the bearing plate bolts and the bearing plate, with the shafts attached. Do not disassemble the shafts.



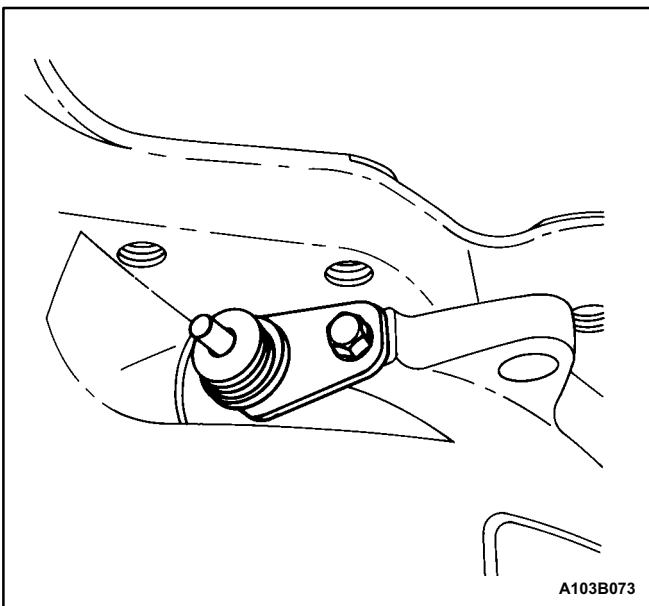
A103B045



5. Remove the differential from the transaxle housing. Do not disassemble the differential. Refer to „Differential” in this section.
6. Remove the backup lamp switch from the transaxle housing.



7. Remove the clutch release bearing and the clutch release bearing guide. Refer to *Section 5C, Clutch*.
8. Remove the speedometer driven gear bolt and the speedometer driven gear from the transaxle housing.

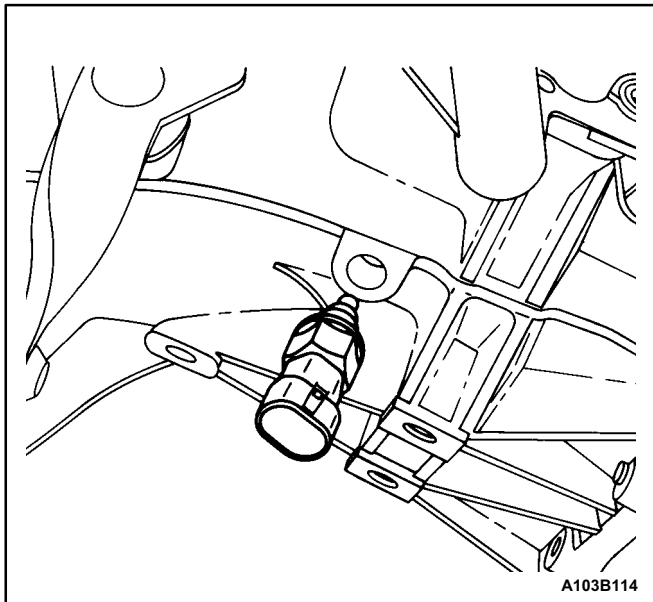


Assembly Procedure

1. Install the speedometer driven gear bolt and the speedometer driven gear into the transaxle housing.

Tighten

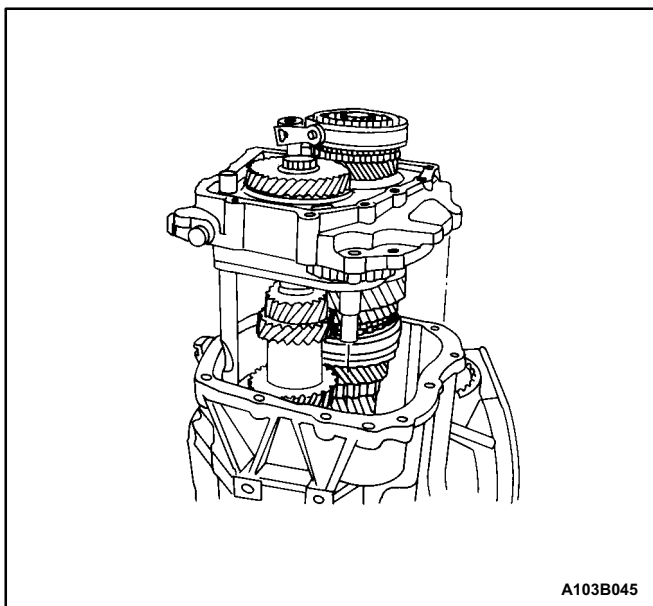
Tighten the speedometer driven gear bolt to 5 N•m (44 lb•in).



2. Install the clutch release bearing guide and the clutch release bearing. Refer to *Section 5C, Clutch*.
3. Install the backup lamp switch into the transaxle housing.

Tighten

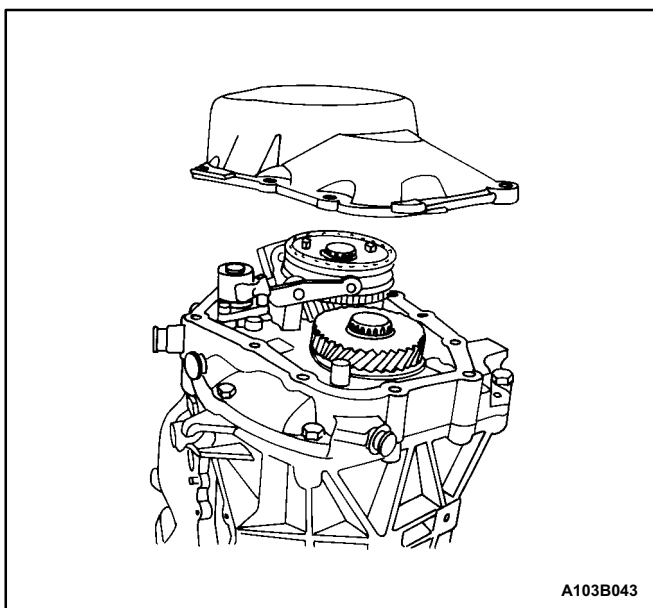
Tighten the backup lamp switch to 20 N•m (15 lb•ft).



4. Install the differential into the transaxle housing. Refer to „Differential” in this section.
5. Install the bearing plate, with the shafts attached.
6. Install the bearing plate bolts.

Tighten

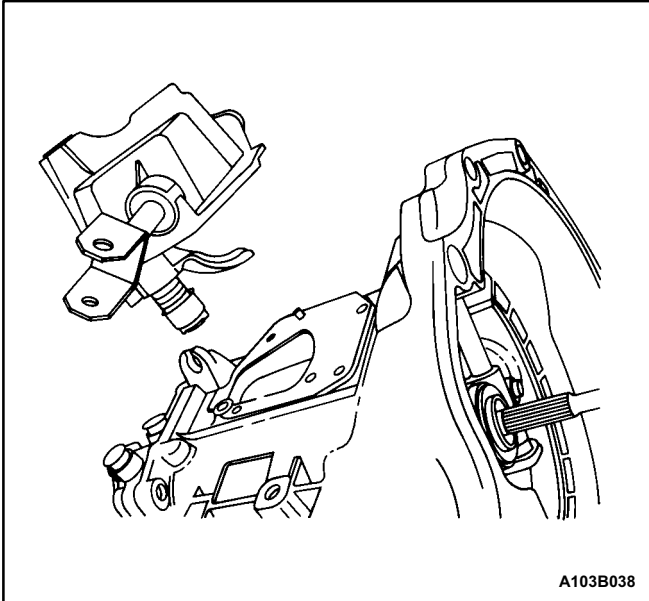
Tighten the bearing plate bolts to 22 N•m (16 lb•ft).



7. Install the transaxle cover and the transaxle cover bolts.

Tighten

Tighten the bigger transaxle cover bolts to 20 N•m (15 lb•ft) and the smaller transaxle cover bolts to 15 N•m (11 lb•ft).



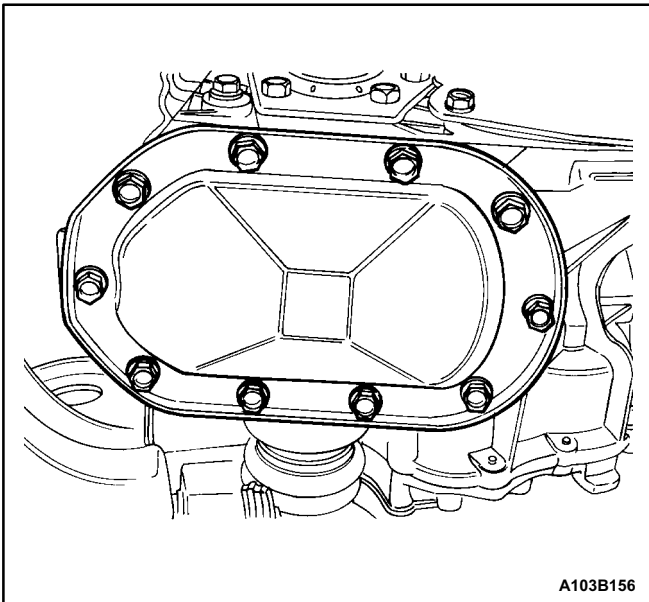
A103B038

8. Install the gearshift lever cover and the gearshift lever cover bolts.

Tighten

Tighten the gearshift lever cover bolts to 22 N•m (16 lb•ft).

9. Install the transaxle into the vehicle. Refer to „Transaxle Assembly” in this section.



A103B156

DIFFERENTIAL

Tools Required

KM-520 Remover/Installer

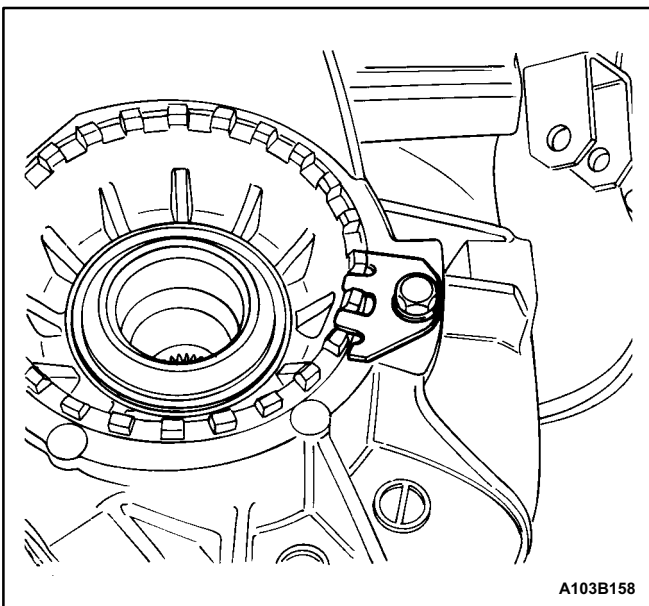
KM-525 Installer

J-22888-20-A Bearing Puller with J-22888-35 Puller Legs

KM-522 Installer

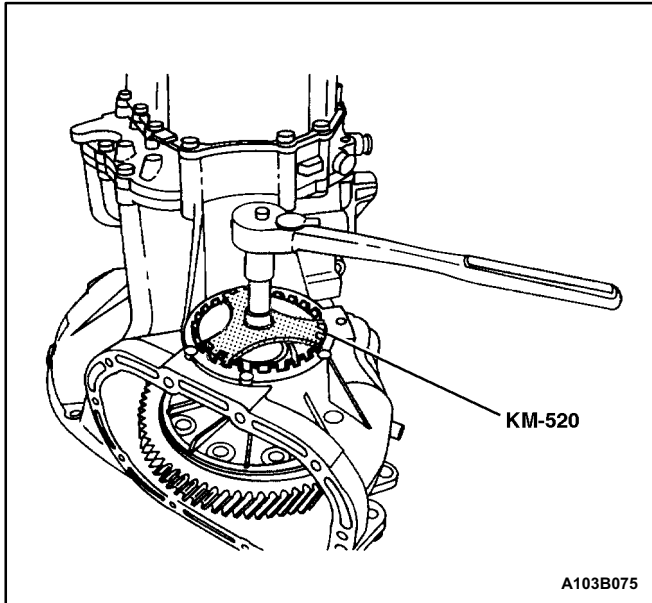
Disassembly Procedure

1. Remove the differential cover bolts, the differential cover, and the differential cover gasket.

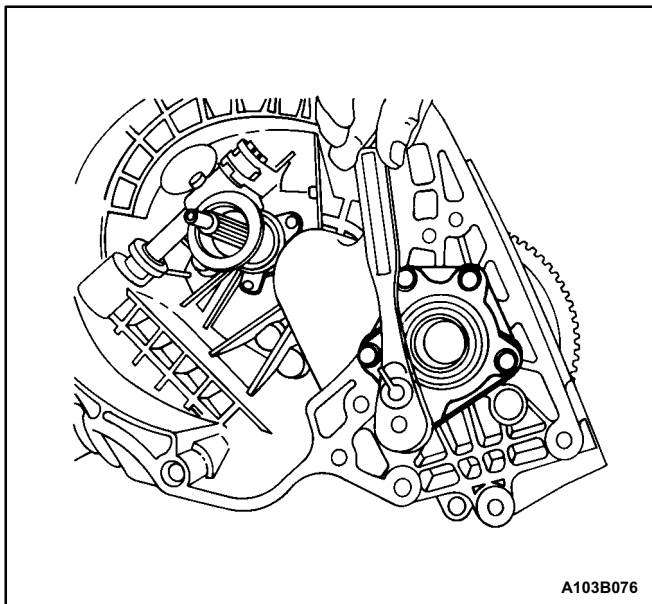


A103B158

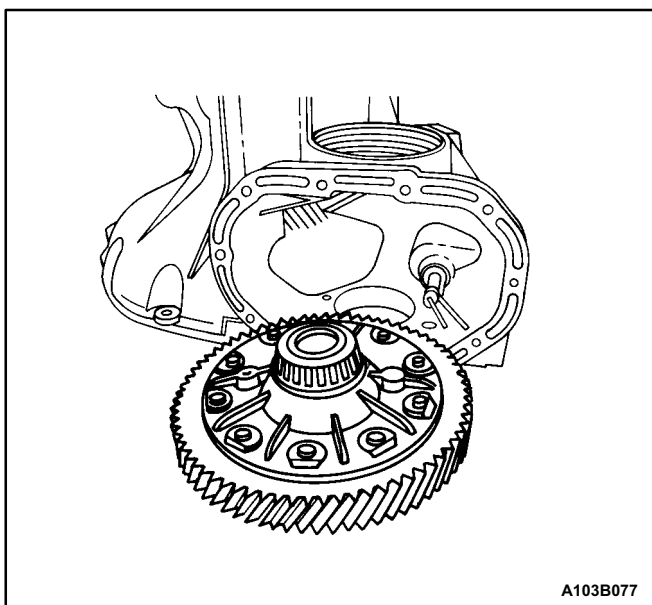
2. Remove the bearing adjusting ring retainer plate bolt and the bearing adjusting ring retainer plate.



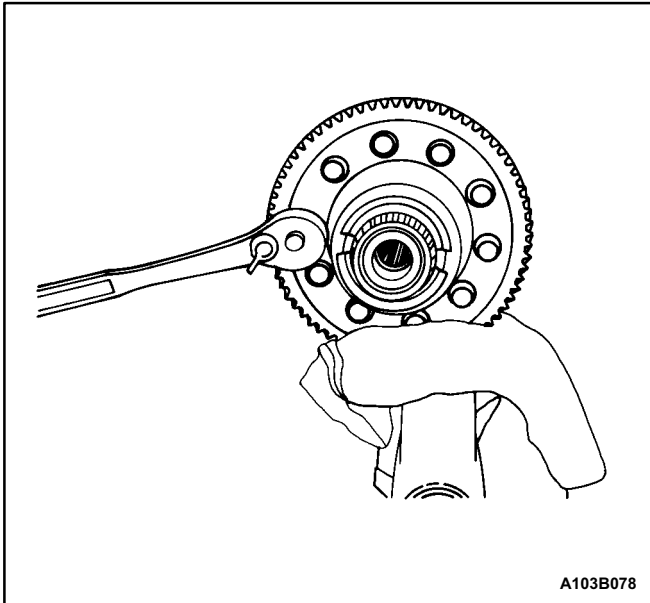
3. Remove the bearing adjusting ring using the remover/installer KM-520.



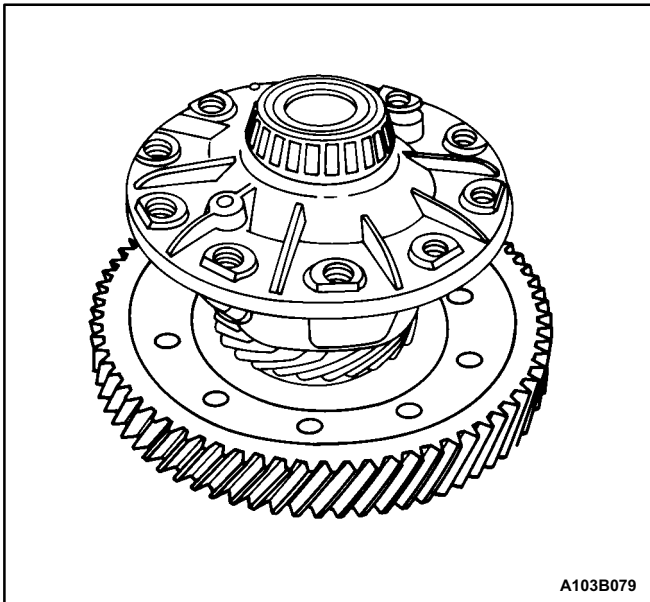
4. Remove the right side bearing retainer bolts and the right side bearing retainer.



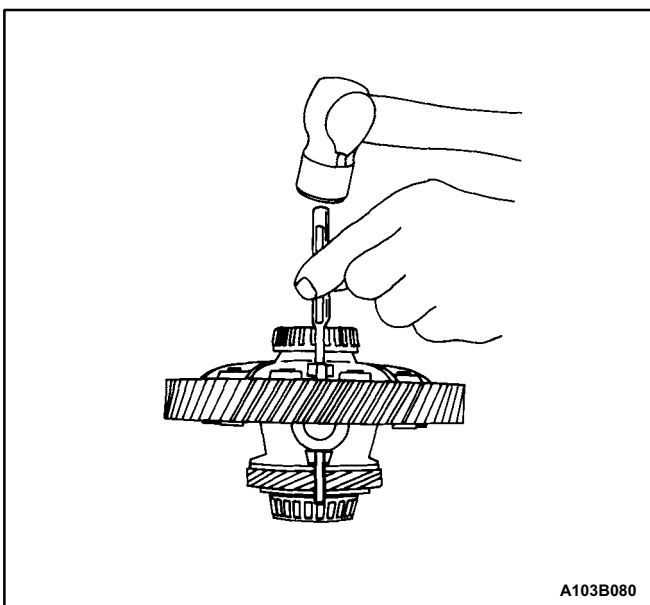
5. Remove the differential assembly from the transaxle case.



6. Remove the ring gear bolts.

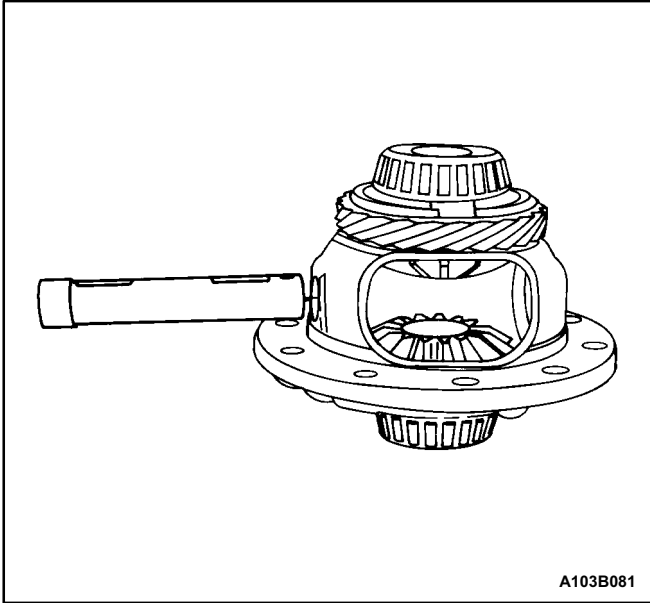


7. Separate the ring gear from the differential housing.

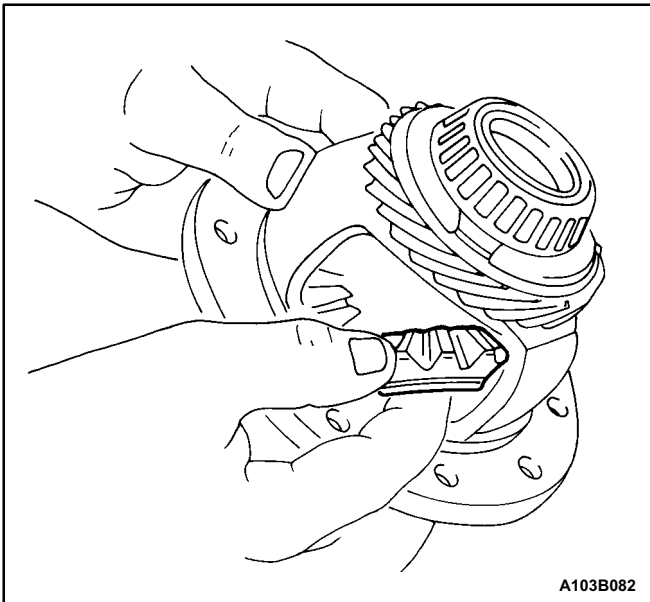


8. Drive the pinion gear shaft lock pin from the differential housing and the pinion gear shaft.

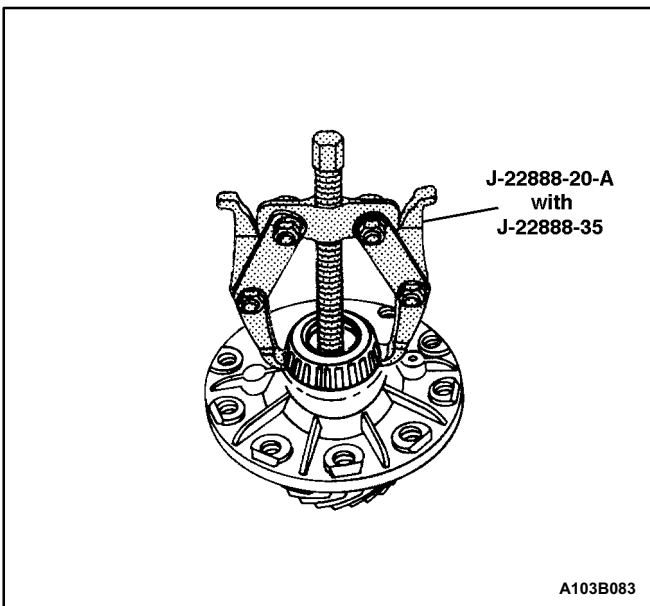
9. Remove the pinion gear shaft.



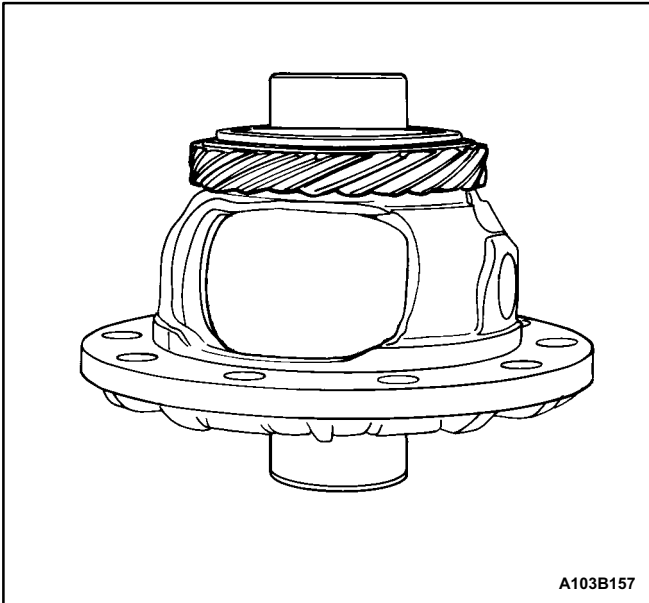
10. Remove the pinion gears and the washers.
11. Remove the side gears and the side thrust washers.



12. Remove both of the differential bearings using the bearing puller J-22888-20-A with the puller legs J-22888-35.

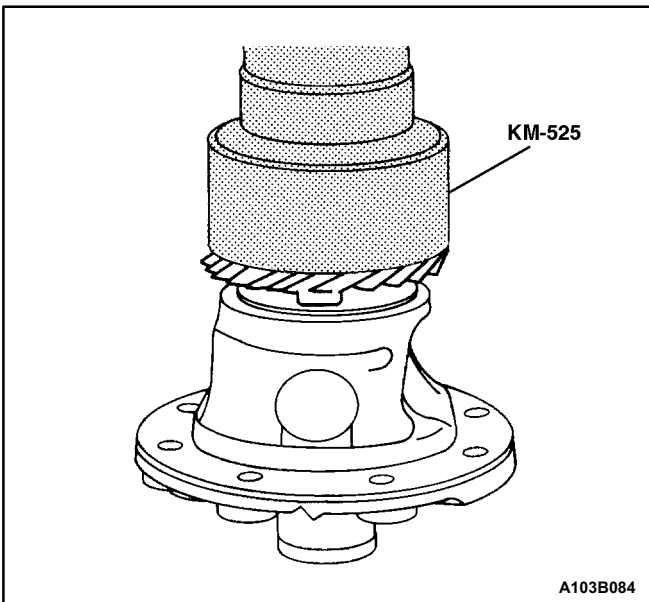


- Remove the speedometer drive gear from the differential gear housing.

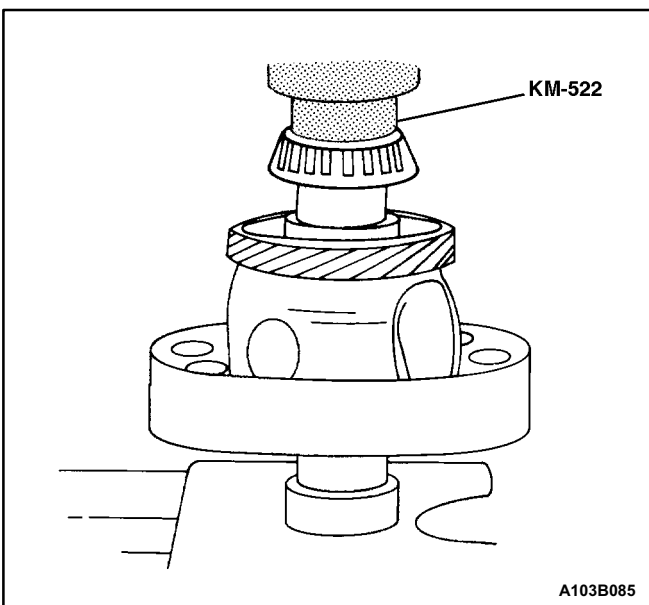


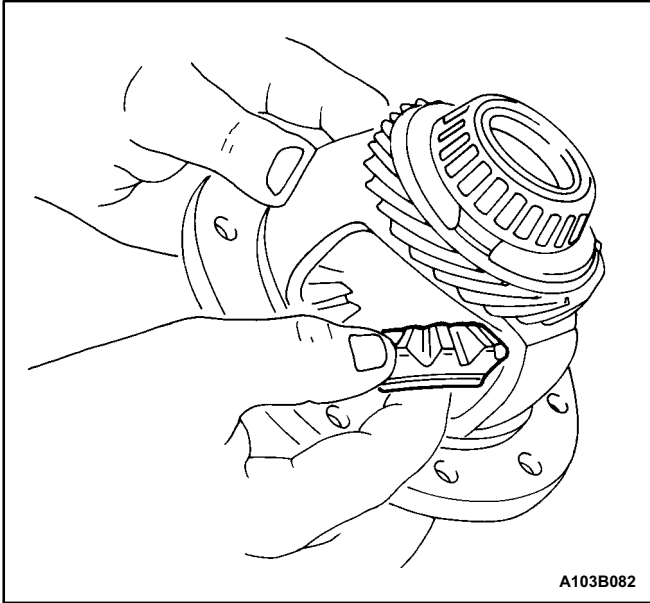
Assembly Procedure

- Install the speedometer drive gear onto the differential gear housing using the installer KM-525.

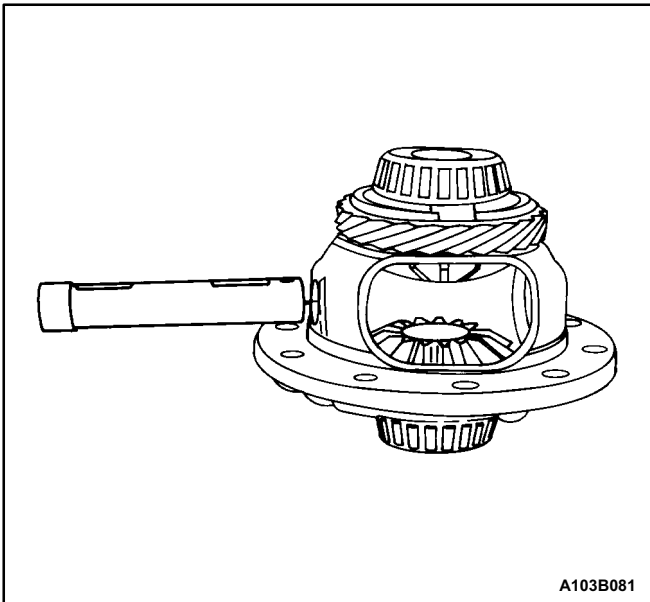


- Install both of the differential bearings using the installer KM-522.

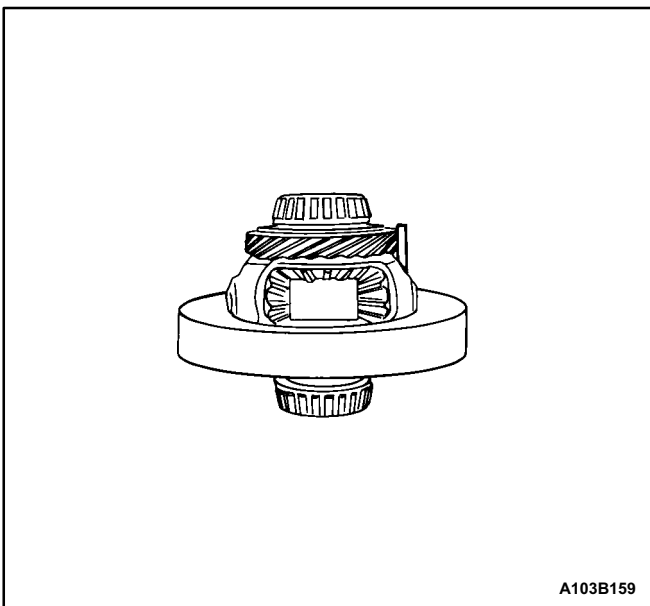




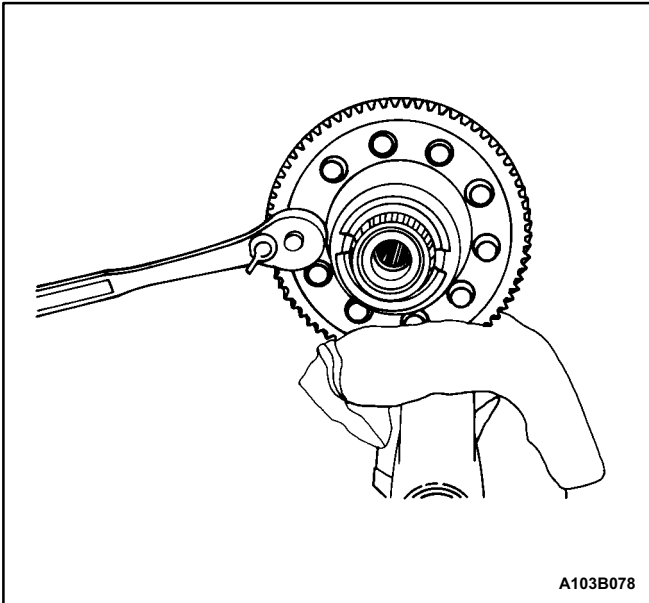
3. Install the side gears and the side thrust washers into the differential housing.
4. Install the differential pinion gears and the differential pinion gear washers into the differential housing.



5. Install the pinion gear shaft into the differential housing.



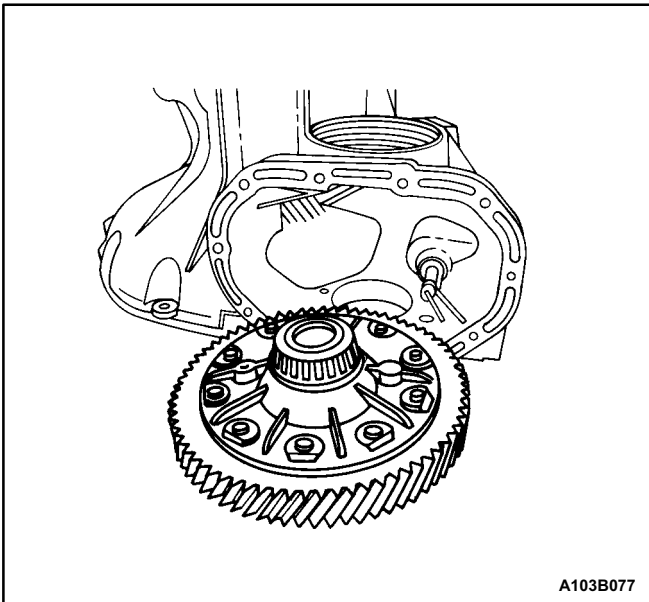
6. Install the pinion gear shaft lock pin into the differential housing and the pinion gear shaft.



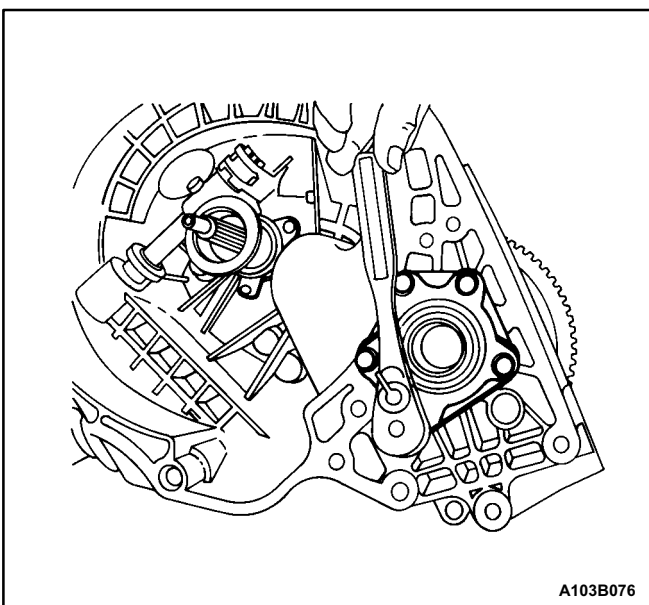
7. Install the ring gear and the ring gear bolts.

Tighten

Tighten the ring gear bolts to 70 N•m (52 lb•ft).



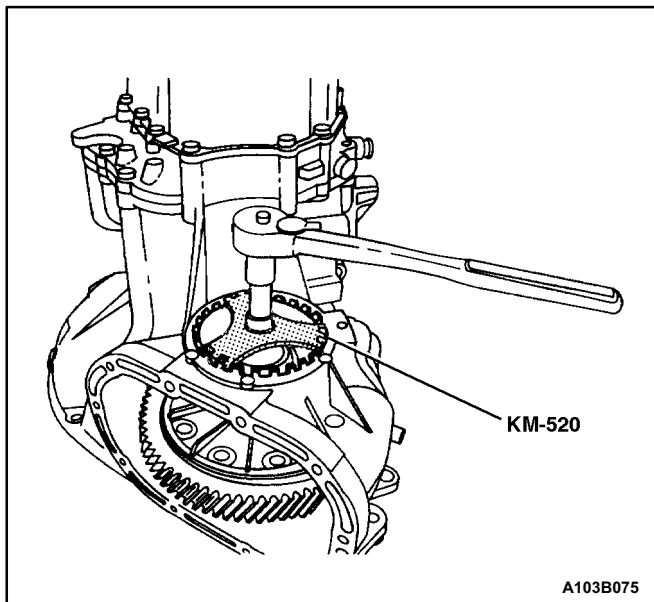
8. Install the differential assembly into the transaxle case.



9. Install the right side bearing retainer and the rightside bearing retainer bolts.

Tighten

Tighten the right side bearing retainer bolts to 25 N•m (18 lb•ft).



10. Install the bearing adjusting ring.
11. Tighten the bearing adjusting ring using the remover/installer KM-520.

Tighten

Tighten the bearing adjusting ring until there is no end play with the differential.

Adjust the preload on the differential bearings.

Used Bearings:

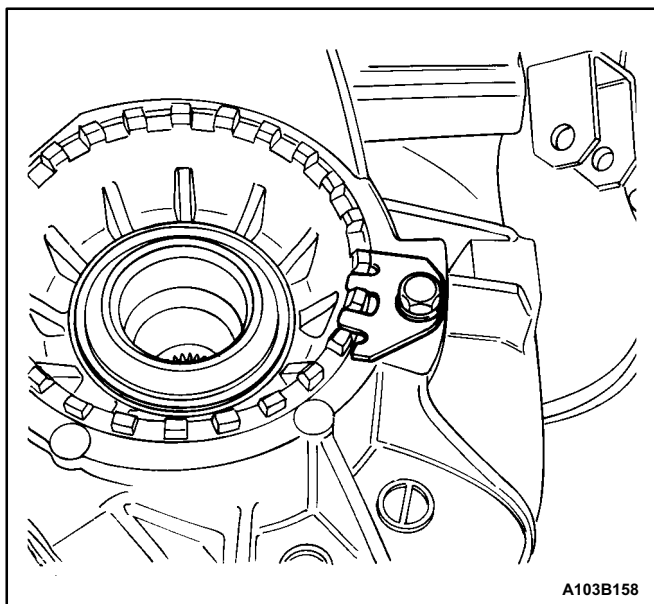
1 N•m (9 lb•in) required to rotate the differential one revolution per second.

New Bearings:

2 N•m (18 lb•in) required to rotate the differential one revolution per second.

Tighten or loosen the bearing ring adjuster to get the required preload on the bearings.

A103B075

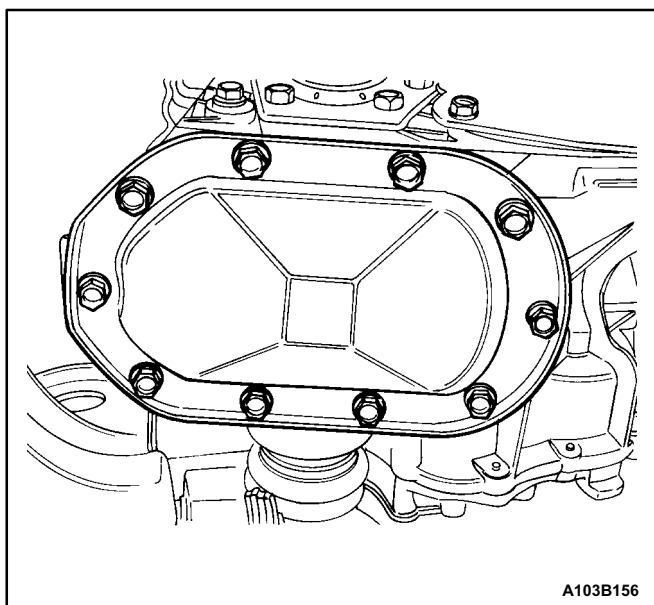


12. Install the bearing adjusting ring retainer plate and the bearing adjusting ring retainer plate bolt.

Tighten

Tighten the bearing adjusting ring retainer plate bolt to 25 N•m (18 lb•ft).

A103B158

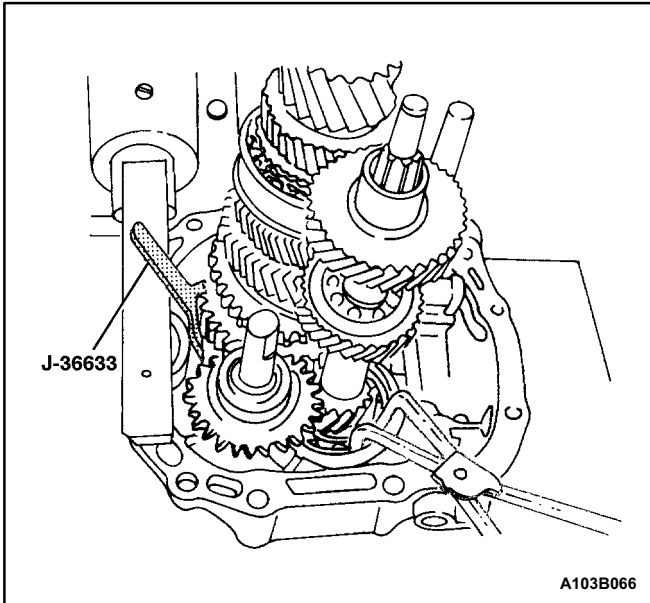


13. Install the differential cover gasket, the differential cover, and the differential cover bolts.

Tighten

Tighten the differential cover bolts to 40 N•m (30 lb•ft).

A103B156



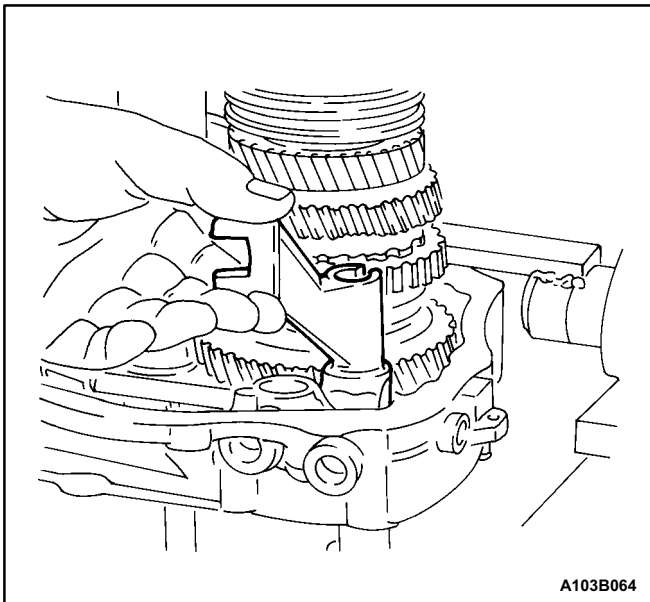
MAJOR COMPONENT ASSEMBLY

Tools Required

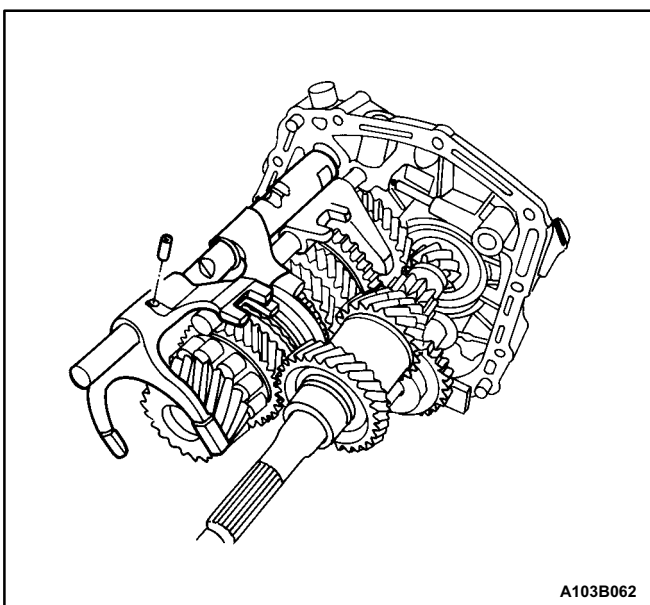
J-36633 Snap Ring Retainer
 KM-334 Installer Sleeve
 KM-552 Fixture
 KM-554 Installer
 KM-113-2 Base

Assembly Procedure

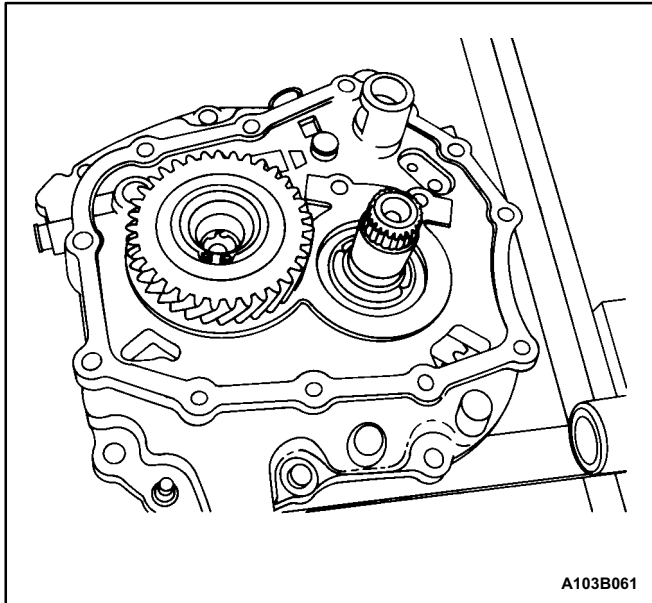
1. Join the mainshaft and the input shaft.
2. Compress the snap ring at the base of the mainshaft and hold with the snap ring retainer J-36633.
3. Hold the snap ring at the base of the input driveshaft with the snap ring pliers.
4. Install the mainshaft/input shaft assembly onto the bearing plate.
5. Release the mainshaft snap ring and the input shaft snap ring.



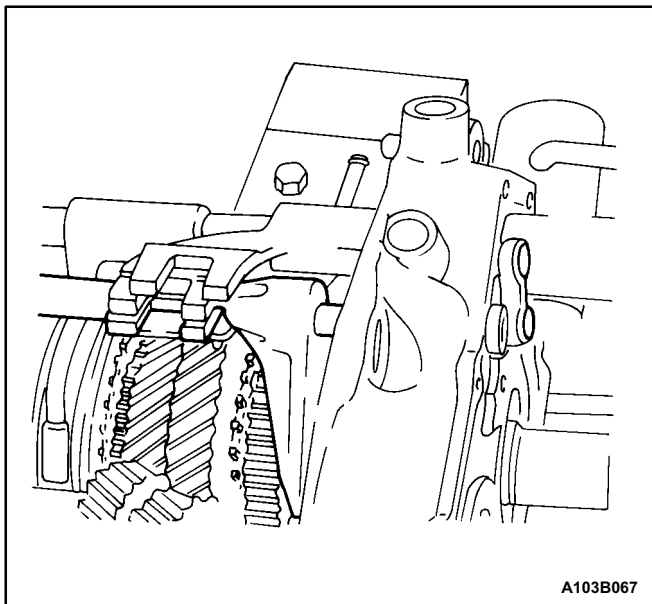
6. Position the first-second gearshift fork.
7. Install the fifth gearshift lever into the bearing plate.



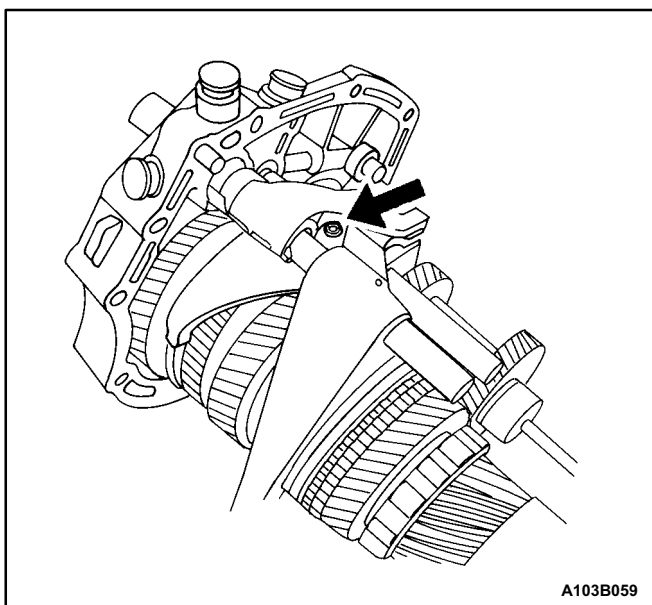
8. Install the third-fourth gearshift rod/fork holding pin.



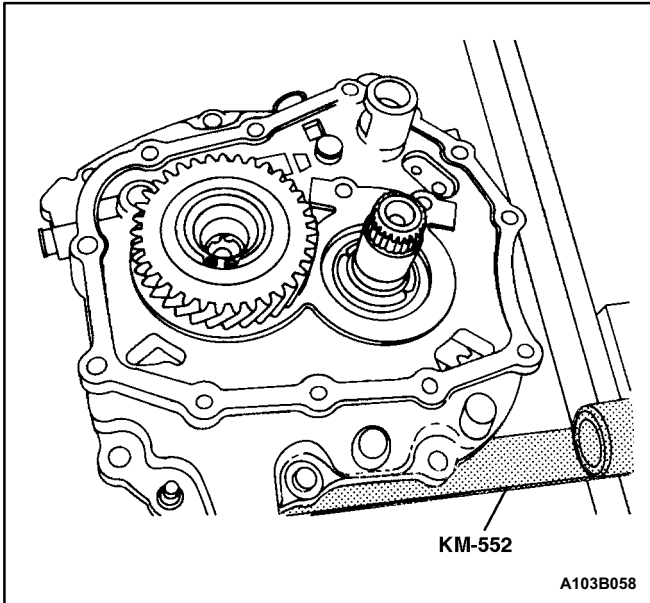
9. Install the support bracket onto the bearing plate.



10. Install the first-second gearshift rod/fork onto the bearing plate.



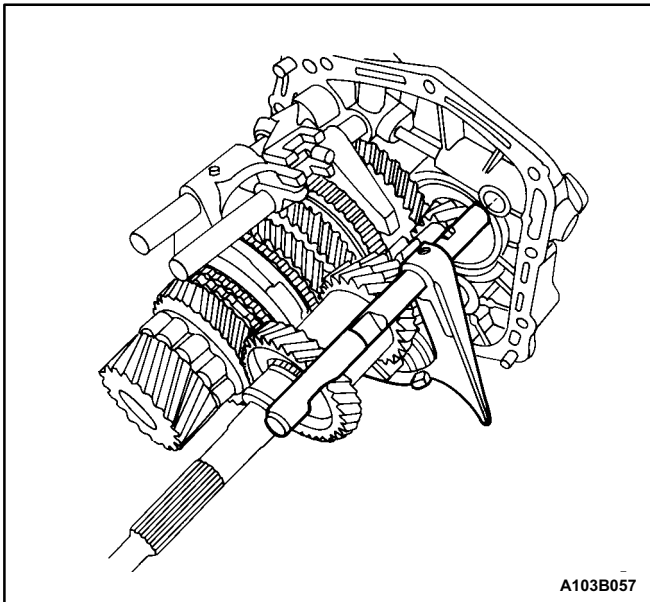
11. Install the first-second gearshift fork holding pin.



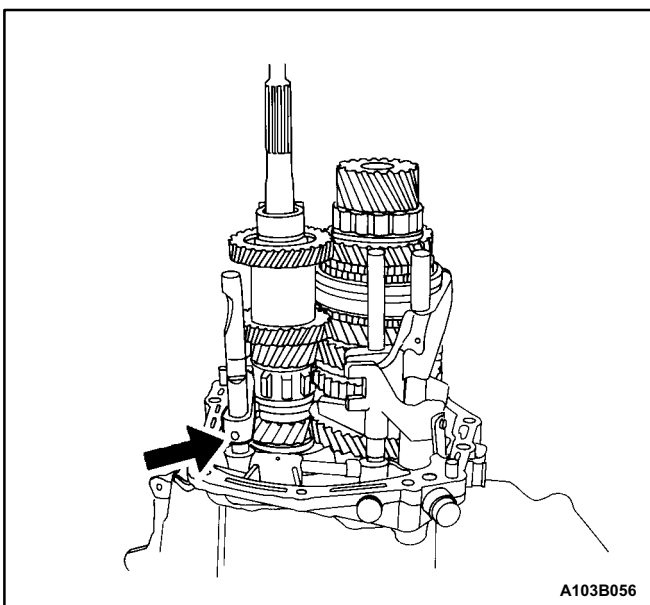
12. Install the support bracket bolts.

Tighten

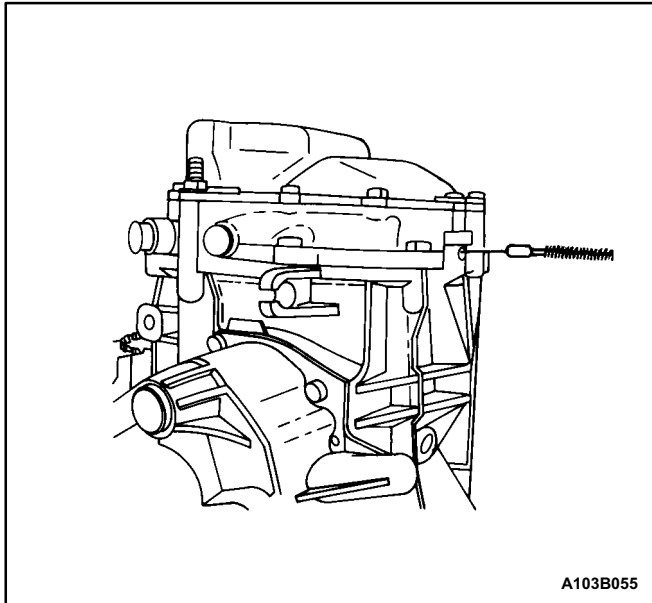
Tighten the support bracket bolts to 7 N•m (62 lb•in).



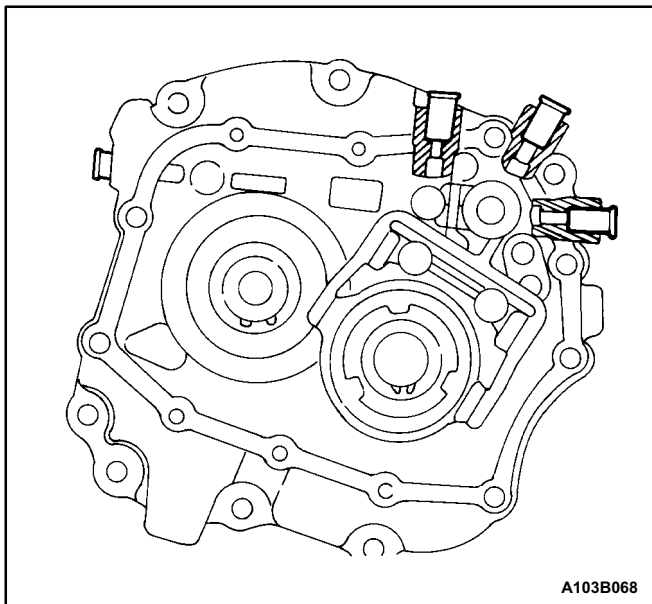
13. Install the reverse gearshift rod/fork onto the bearing plate.



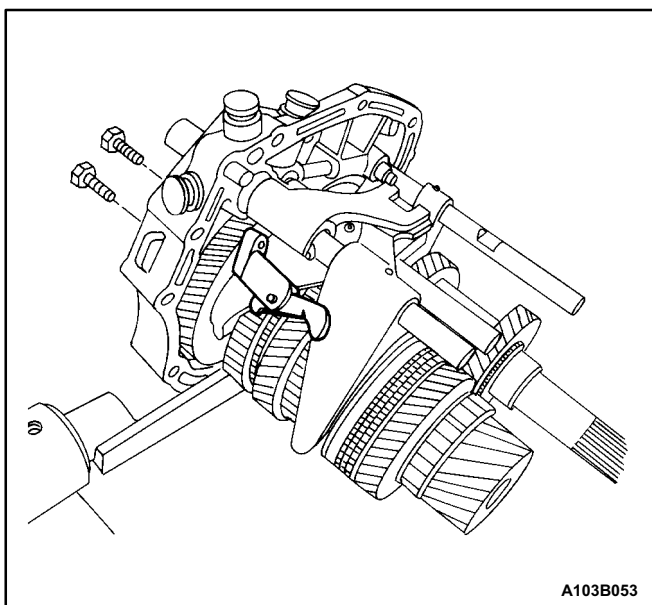
14. Install the reverse gearshift rod/fork holding pin.



15. Install the rod lock pin and spring into the small plug hole.



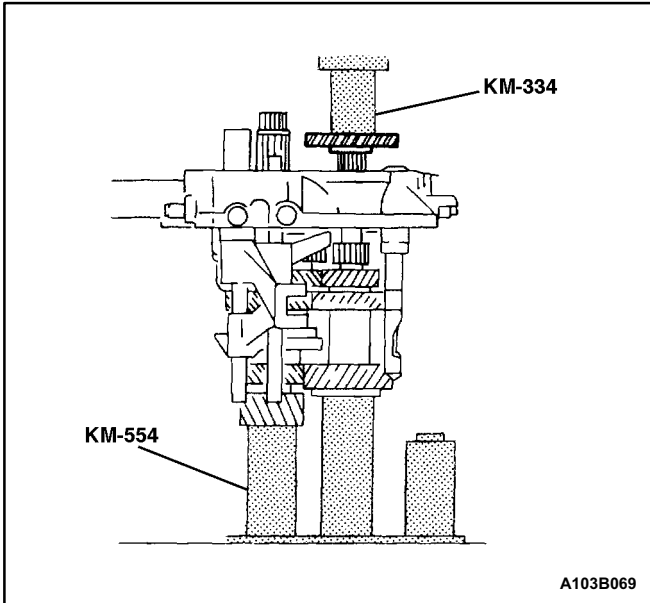
16. Install the fourth gearshift rod plugs.



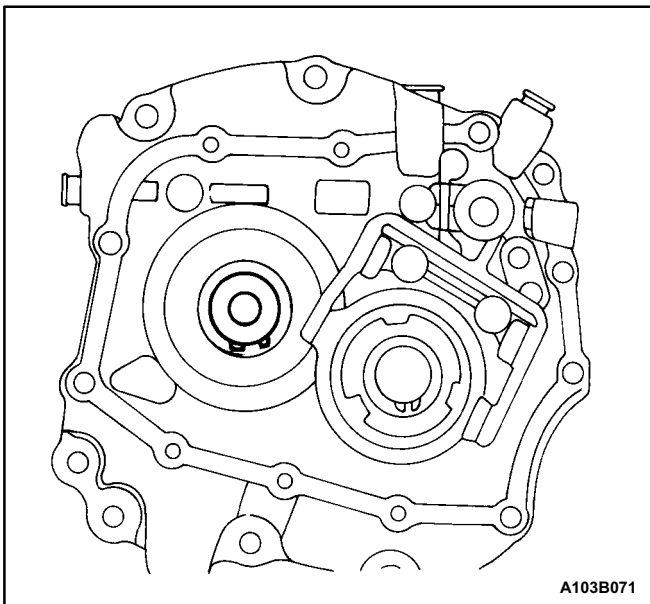
17. Install the bolts and the fifth gearshift connector onto the bearing plate, using the pawl.

Tighten

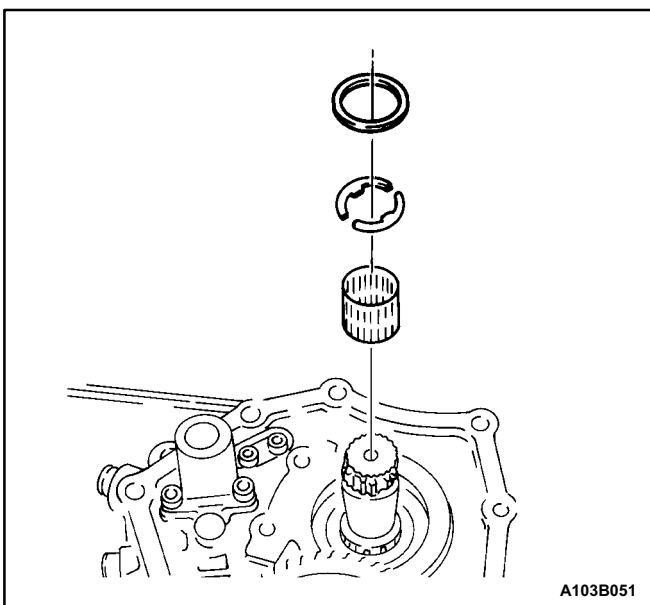
Tighten the fifth gearshift connector bolts to 7 N•m (62 lb•in).



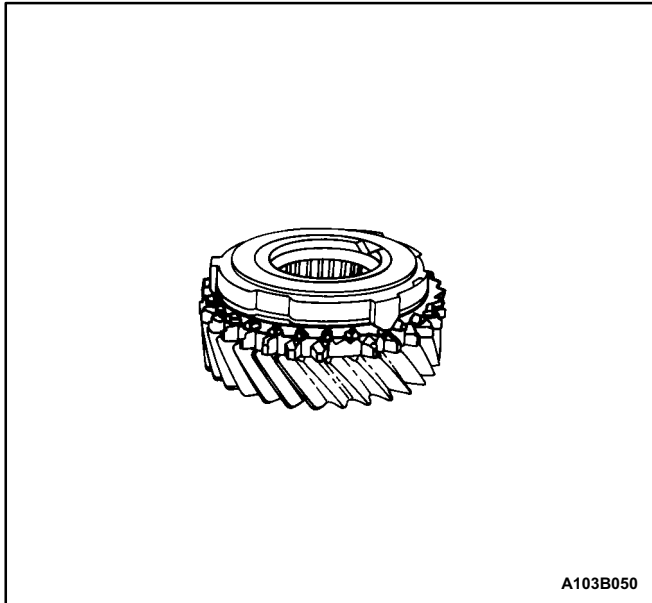
18. Install the input drive fifth gear using the installer KM-554 and the installer sleeve KM-334.



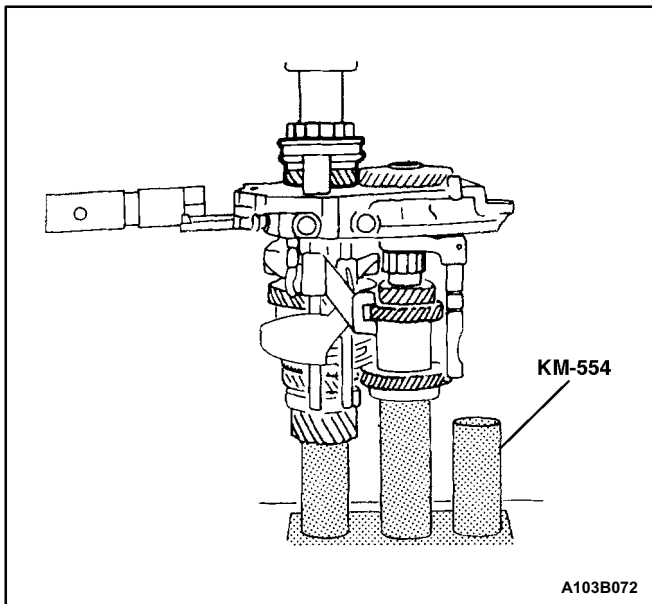
19. Install the snap rings securing the fifth drive gear.



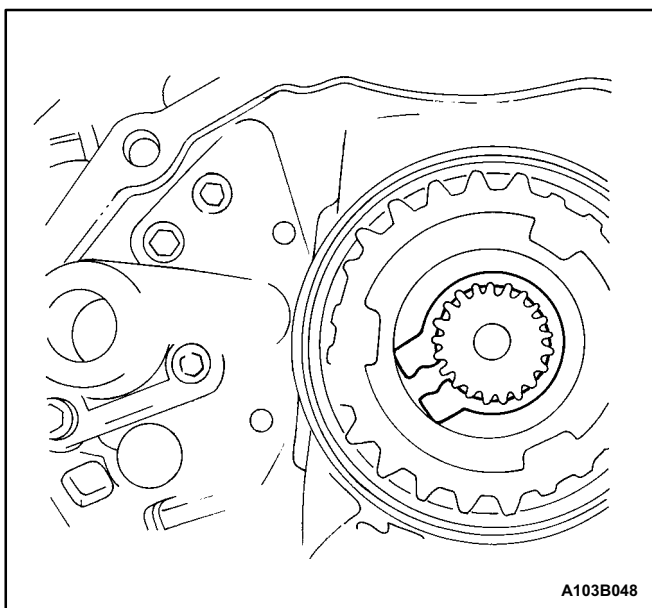
20. Install the thrust washers, the retaining ring, and the needle bearing into the mainshaft driven fifth gear assembly.



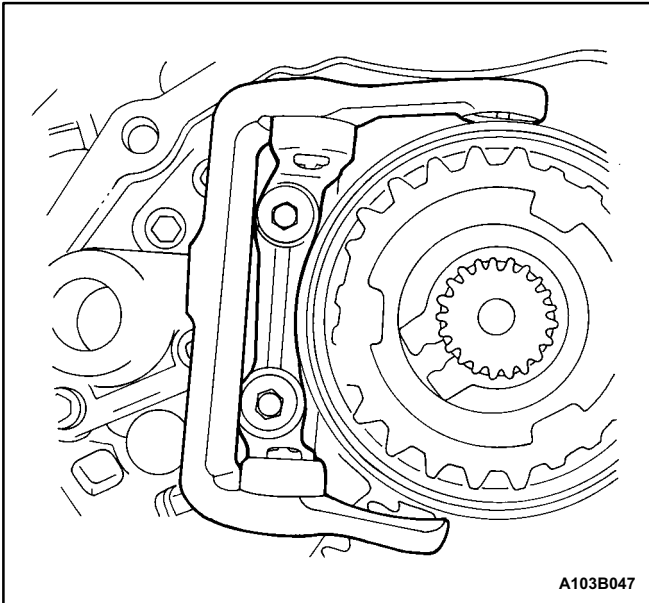
21. Install the brass synchronizer ring onto the mainshaft driven fifth gear assembly.



22. Install the mainshaft driven fifth gear assembly.
23. Install the fifth drive gear synchronizer gear and the synchronizer sleeve using installer KM-554.



24. Install the snap ring that holds the fifth speed driven assembly.

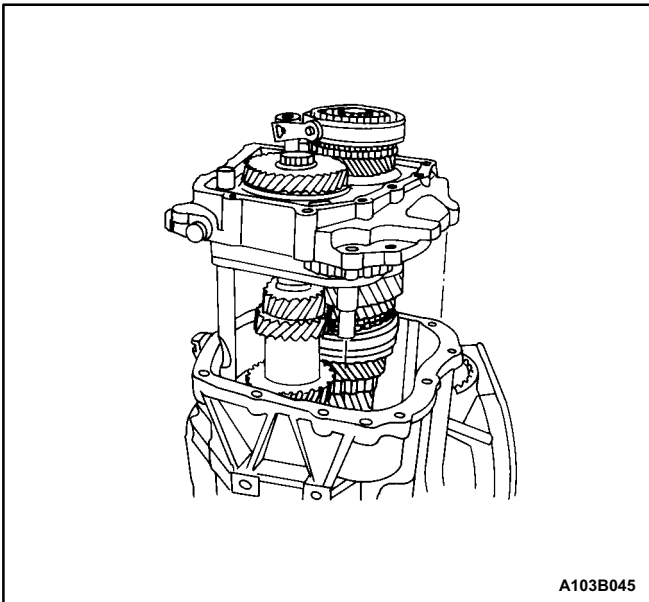


A103B047

25. Install the bolts and the fifth gear fork onto the bearing plate.

Tighten

Tighten the fifth gear fork bolts to 22 N•m (16 lb•ft).

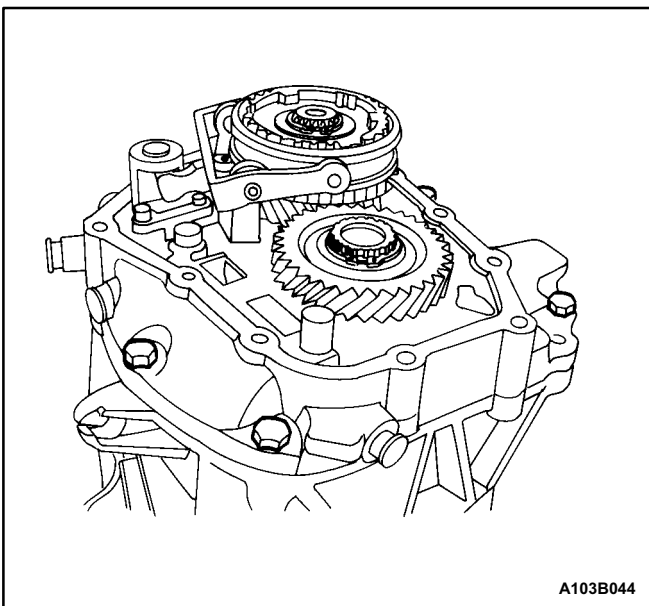


A103B045

26. Remove the bearing plate from the fixture KM-552.

27. Shift the transaxle into second gear.

28. Install the bearing plate, with the shafts attached, into the case.

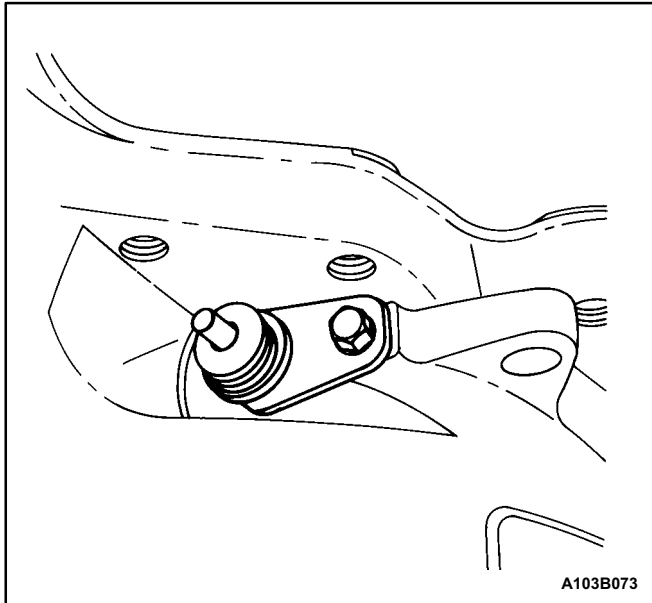


A103B044

29. Install the bearing plate bolts.

Tighten

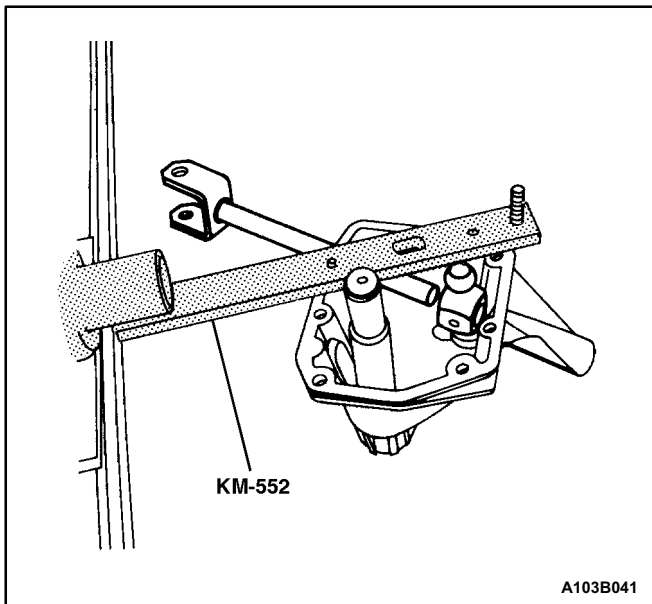
Tighten the bearing plate bolts to 22 N•m (16 lb•ft).



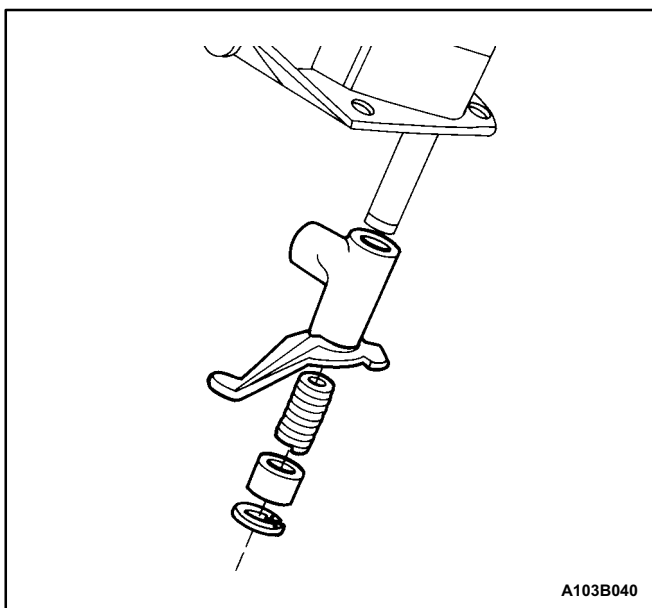
30. Install the speedometer driven gear and the speedometer housing retaining bolt into the transaxle housing.

Tighten

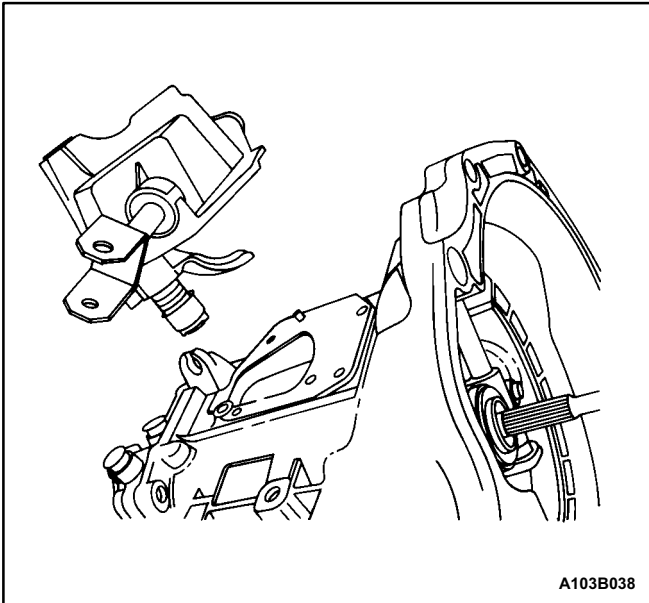
Tighten the speedometer housing retaining bolt to 4 N•m (35 lb•in).



31. Bolt the gearshift lever cover to the fixture KM-552.
32. Position the fixture into the base KM-113-2.
33. Install the gearshift rod, the shift finger lever, and the gearshift lever pin.



34. Install the snap ring, the bushing, the spring, and the intermediate lever.
35. Remove the gearshift lever cover from the base KM-113-2 and the fixture KM-552.
36. Shift the transaxle into NEUTRAL.

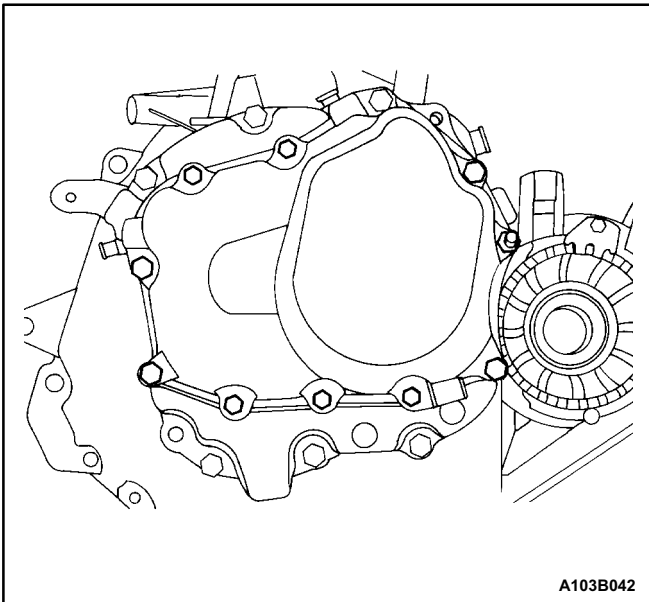


A103B038

37. Install the gearshift lever cover and the gearshift lever cover bolts.

Tighten

Tighten the gearshift lever cover bolts to 22 N•m (16 lb•ft).



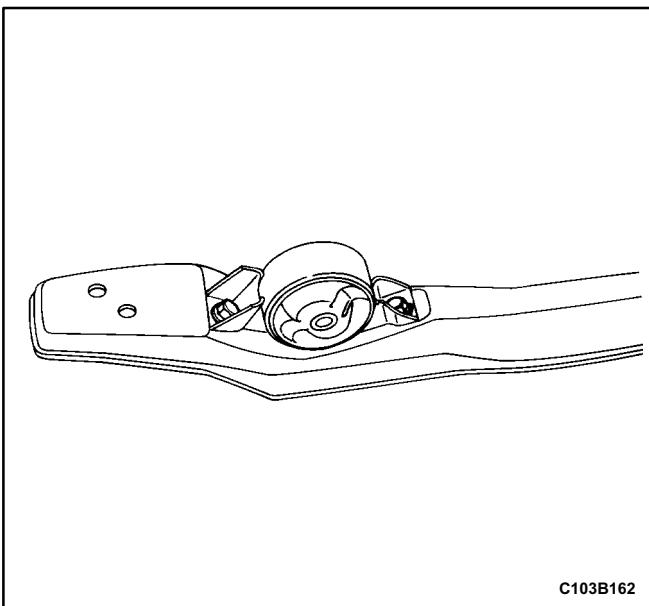
A103B042

38. Install the transaxle cover and the transaxle cover bolts.

Tighten

Tighten the bigger transaxle cover bolts to 20 N•m (15 lb•ft) and the smaller transaxle cover bolts to 15 N•m (11 lb•ft).

39. Install the transaxle into the vehicle. Refer to „Transaxle Assembly” in this section.

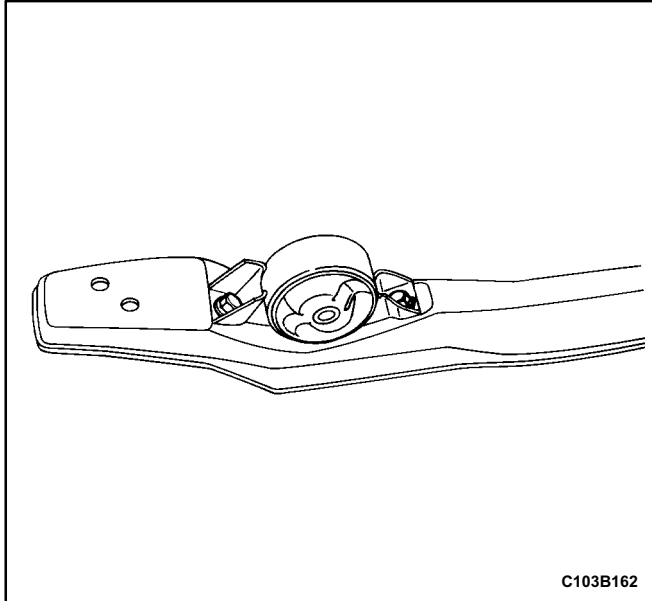


C103B162

TRANSAXLE MOUNT

Disassembly Procedure

1. Remove the center member from the vehicle. Refer to *Section 9N, Frame and Underbody*.
2. Remove the transaxle bracket mount to center member bolts.
3. Remove the transaxle bracket mount.



Assembly Procedure

1. Install the transaxle bracket mount.
2. Install the transaxle bracket mount to center member bolts.

Tighten

Tighten the transaxle bracket mount to center member bolts to 65 N•m (48 lb•ft).

3. Install the center member into the vehicle. Refer to *Section 9N, Frame and Underbody*.

GENERAL DESCRIPTION AND SYSTEM OPERATION

FIVE-SPEED MANUAL TRANSAXLE

This fivespeed transaxle assembly is a transmission of constantmesh design.

Combined in the assembly are

- All forward gears.
- The reverse gear.
- The differential output.

The basic components of the fivespeed transaxle assembly units are the

- Transaxle case.
- Input shaft.
- Input shaft gears.

- Output shaft.
- Output shaft gears.
- Ring gear and differential assembly.

Forward Gear

Shifting to a forward gear is accomplished through a combination of synchronizers with blocker rings controlled by sliding shift forks.

Reverse Gear

Reverse gear is not synchronized and uses a sliding idler gear arrangement.

Differential Assembly

The differential is a conventional arrangement of gears that is supported by tapered roller bearings. The final output gear turns the ring gear and differential assembly, which turns the drive axle shafts.